

# PL350

---

## Spare parts list

### Compact planers

PL350 (III A/T3) s/n 10000900x0C004242 -

Engine: Cummins QSB3.3



## **General information**

Use only authorized parts. Any damage or malfunction caused by the use of unauthorized parts is not covered by Warranty or Product Liability. Any unauthorized use or copying of the contents or any part thereof is prohibited. This applies in particular to trademarks, model denominations, part numbers, and drawings.

### **Instructions for use**

This spare parts list contains no safety regulations and is merely intended to assist in the ordering of spare parts.

For information about operating, servicing, or repairing, the relevant Safety and operating instructions must be consulted at all costs.

Please observe the safety instructions listed in the relevant Safety and operating instructions!

## Contents

### PL350 (IIIA/T3) s/n 10000900x0C004242 -

PL350 (IIIA/T3) s/n 10000900x0C004242 -	1
<b>Service kits</b>	
Service kits	3
D299000850 Service kit 500 h	5
D299000851 Service kit 1000 h	7
<b>Frame</b>	
Frame	9
Covering, compl.	11
<b>Covering compl.</b>	
Covering compl.	13
Engine hood compl. Left side	15
Engine hood compl. Right side	17
<b>Main frame, back</b>	
Main frame, back	19
Rear door compl.	23
<b>Ballast Module</b>	
Ballast Module	25
Ballast weight	27
<b>Milling unit</b>	
Milling unit	29
<b>Hydraulic components</b>	
Hydraulic components	31
<b>Drum drive</b>	
Drum drive	33
D967045901 Pump, drum drive	35
<b>Milling drums</b>	
Milling drums	37
Milling drum standard C10HD	39
Fine milling drum C10	41
Micro milling drum C10	43
Fine milling drum C10HD	45
Plate, front	47
Bit tools	49
D501520500 Lever	51
<b>Engine compl.</b>	
Engine compl.	53
<b>Cooler system</b>	
Cooler system	55
<b>Hydraulic components</b>	
Hydraulic components	57
Suction/return line	59
Holder, compl.	61
Carrier assy.	63
Holder, compl.	65

<b>Engine assy</b>	
Engine assy	67
D966390010 Engine	69
Oil drain	71
Exhaust system	73
Airfilter system	75
<b>Propulsion pump</b>	
Propulsion pump	77
D967045901 Pump, drum drive	See page 35
D967045031 Pump, 3 wheel drive	79
D967088022 Hydraulic pump	81
<b>Engine equipment</b>	
Engine equipment	83
Oil drain	See page 71
<b>Drive system</b>	
Drive system	85
<b>Hydraulic components</b>	
Hydraulic components	87
<b>All wheel drive Rear wheel</b>	
All wheel drive Rear wheel	89
D967045031 Pump, 3 wheel drive	See page 79
D963172801 Hydr. block	91
<b>All wheel drive Front wheel</b>	
All wheel drive Front wheel	93
D967045031 Pump, 3 wheel drive	See page 79
D951020927 Gear with motor	97
D963172801 Hydr. block	See page 91
<b>Cylinder function Rear legs</b>	
Cylinder function Rear legs	99
D963176081 Steering block	101
<b>Steering Front wheel</b>	
Steering Front wheel	103
D967088022 Hydraulic pump	See page 81
<b>One wheel drive Hydraulics</b>	
One wheel drive Hydraulics	107
D967045031 Pump, 3 wheel drive	See page 79
D951020927 Gear with motor	See page 97
<b>Steering and levelling</b>	
Steering and levelling	111
Dipstick, compl.	113
Steering control unit	115
All wheel drive	117
One wheel drive	119
<b>Front axle</b>	
Front axle	121
D951020927 Gear with motor	See page 97
Front axel	123

<b>Levelling left</b>	
Levelling left	125
4812003252 Strut unit	127
<b>Levelling right</b>	
Levelling right	129
4812003252 Strut unit	See page 127
Water system	133
<b>Conveyor</b>	
Conveyor	138
<b>Hydraulic components</b>	
Hydraulic components	141
<b>Conveyor hydraulic</b>	
Conveyor hydraulic	143
D963176082 Steering block	145
<b>Scraper hydraulic</b>	
Scraper hydraulic	147
D963176081 Steering block	See page 101
Hydraulic demolition hammer	149
<b>Ext. Hydraulic connection</b>	
Ext. Hydraulic connection	151
D963176082 Steering block	See page 145
<b>Conveyor</b>	
Conveyor	153
<b>Conveyor</b>	
Conveyor	155
Swivel arm	157
Conveyor	159
Conveyor	161
<b>Drivers platform</b>	
Drivers platform	163
<b>Seat</b>	
Seat	165
D953420303 Driver seat	167
Steering control unit	See page 115
<b>Operators panel</b>	
Operators panel	169
Operator panel	171
Operator panel	173
Vandalism protection compl.	175
Levelling system, MOBA Option	177
Mirror	179
Pointer	181
Battery holder, Disconnecter	183
Operators platform	185
Foot plate enlargement Option	187
<b>Lightning</b>	
Lightning	189

Lamp socket compl. . . . . 191  
Working light . . . . . 193  
Decals . . . . . 195

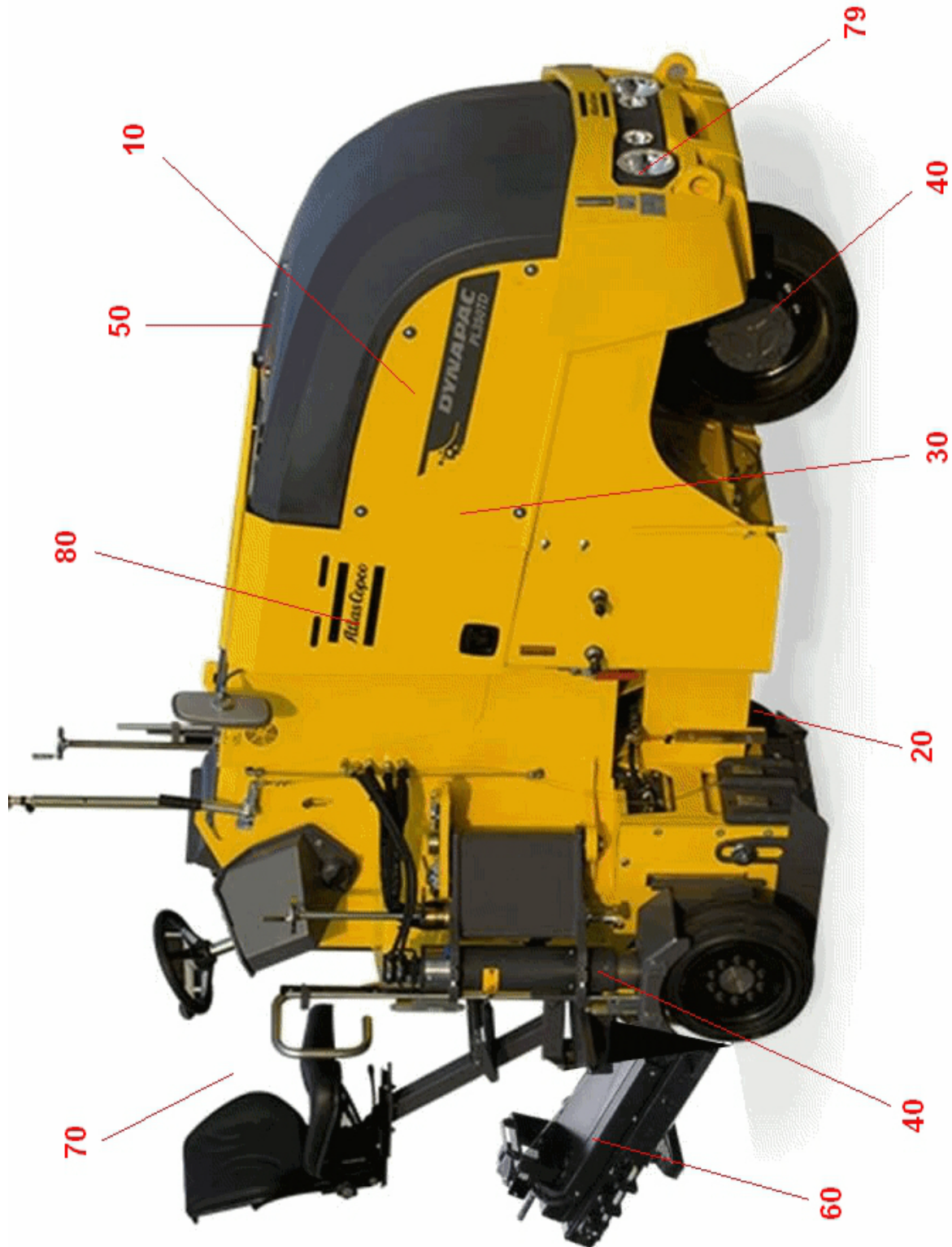
**Accessories list**

Accessories list . . . . . 197

**Tool and assessories**

Tool and assessories . . . . . 199  
Tool kit . . . . . 201  
Console Levelling system . . . . . 203  
Stop block . . . . . 205  
Appendix B:Parts Index . . . . . 207

PL350 (IIIA/T3) s/n 10000900x0C004242 - PL350 (IIIA/T3) s/n 10000900x0C004242 -



Refer to Parts Online for the most up to date information. The printed information might be outdated.

Wed Apr 01 20:36:32 MDT 2015

Item	Part No.	Name	Qty	L	SN INFO
Not Shown		Service kits	1		
10		Frame	1		
20		Milling unit	1		
30		Engine compl.	1		
40		Drive system	1		
50		Water system	1		
60		Conveyor	1		
70		Drivers platform	1		
79		Lightning	1		
80		Decals	1		
90		Accessories list	1		

Refer to Parts Online for the most up to date information. The printed information might be outdated.

Wed Apr 01 20:36:32 MDT 2015



**Service kits** Service kits

NO EXPLODED VIEW  
AVAILABLE  
FOR THIS BOM

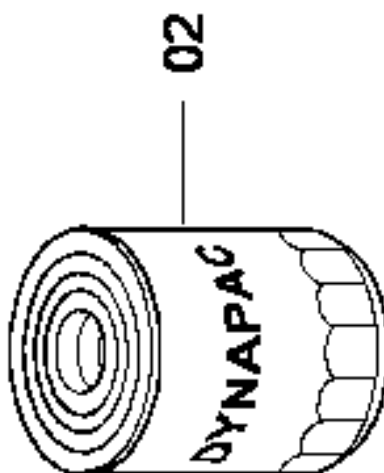
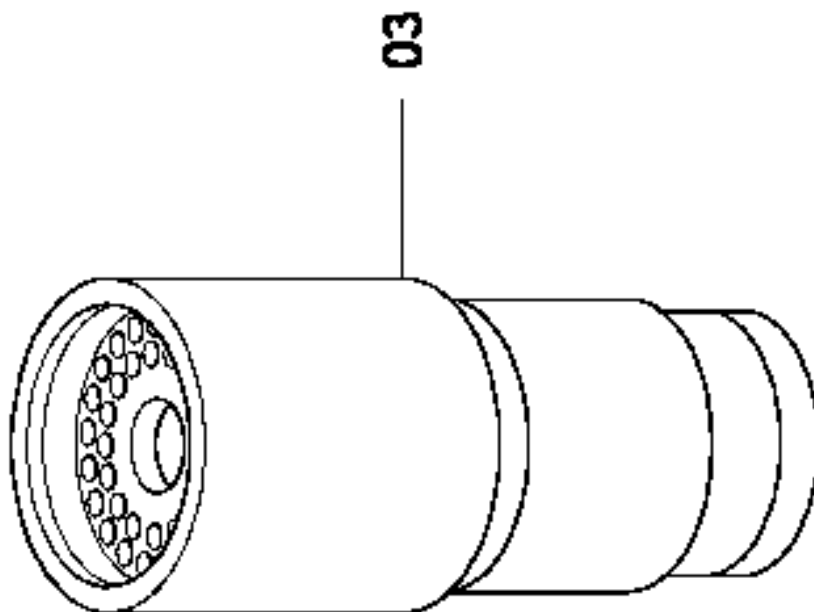
Item	Part No.	Name	Qty	L	SN INFO
Not Shown	D299000850	Service kit 500 h			
Not Shown	D299000851	Service kit 1000 h			

---

Refer to Parts Online for the most up to date information. The printed information might be outdated.

Wed Apr 01 20:36:32 MDT 2015

**Service kits** D299000850 Service kit 500 h



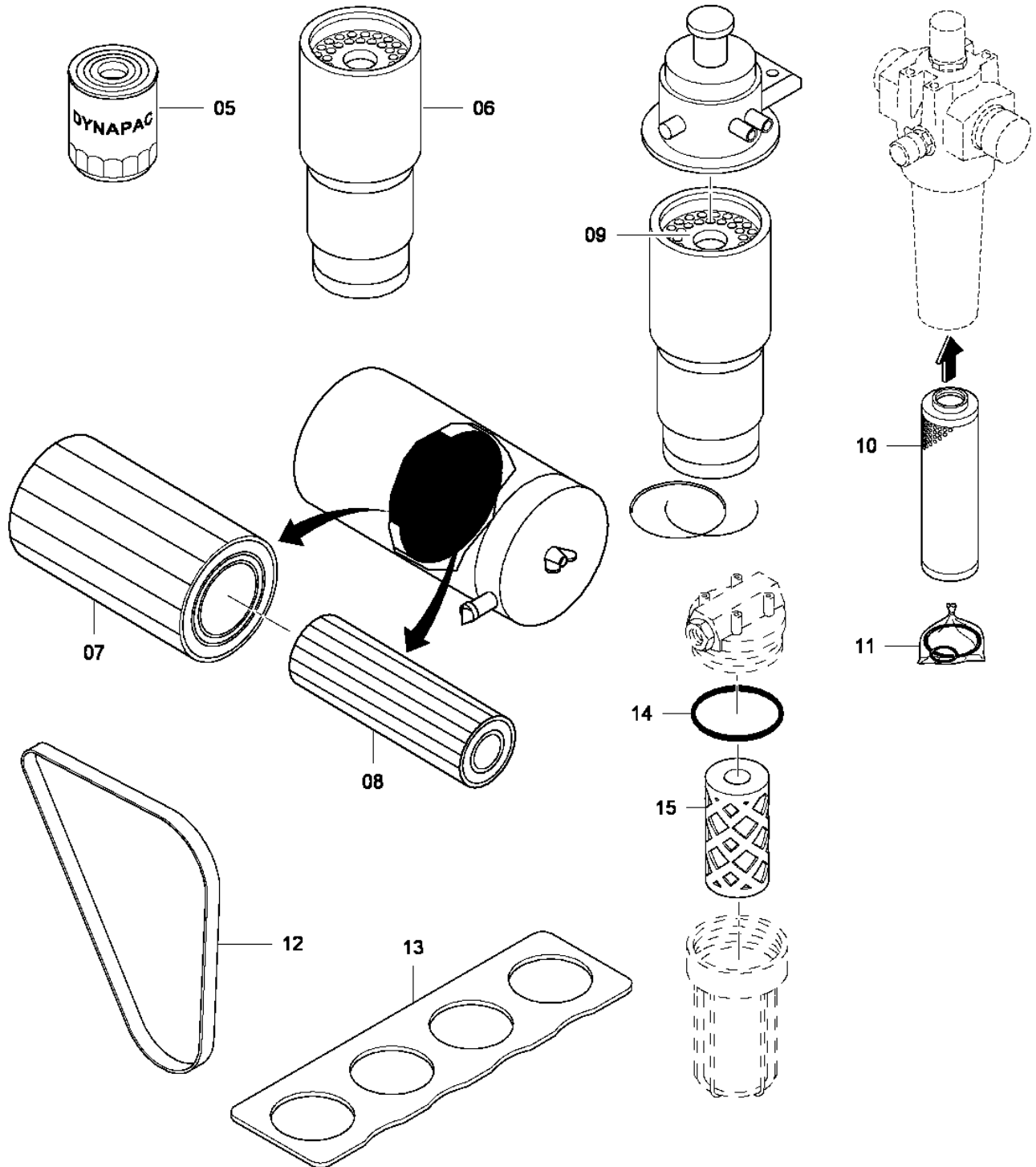
Item	Part No.	Name	Qty	L	SN INFO
2	4700939068	Oil filter	1		
3	D966598318	Fuel filter	1		

---

Refer to Parts Online for the most up to date information. The printed information might be outdated.

Wed Apr 01 20:36:32 MDT 2015

**Service kits** D299000851 Service kit 1000 h



Refer to Parts Online for the most up to date information. The printed information might be outdated.

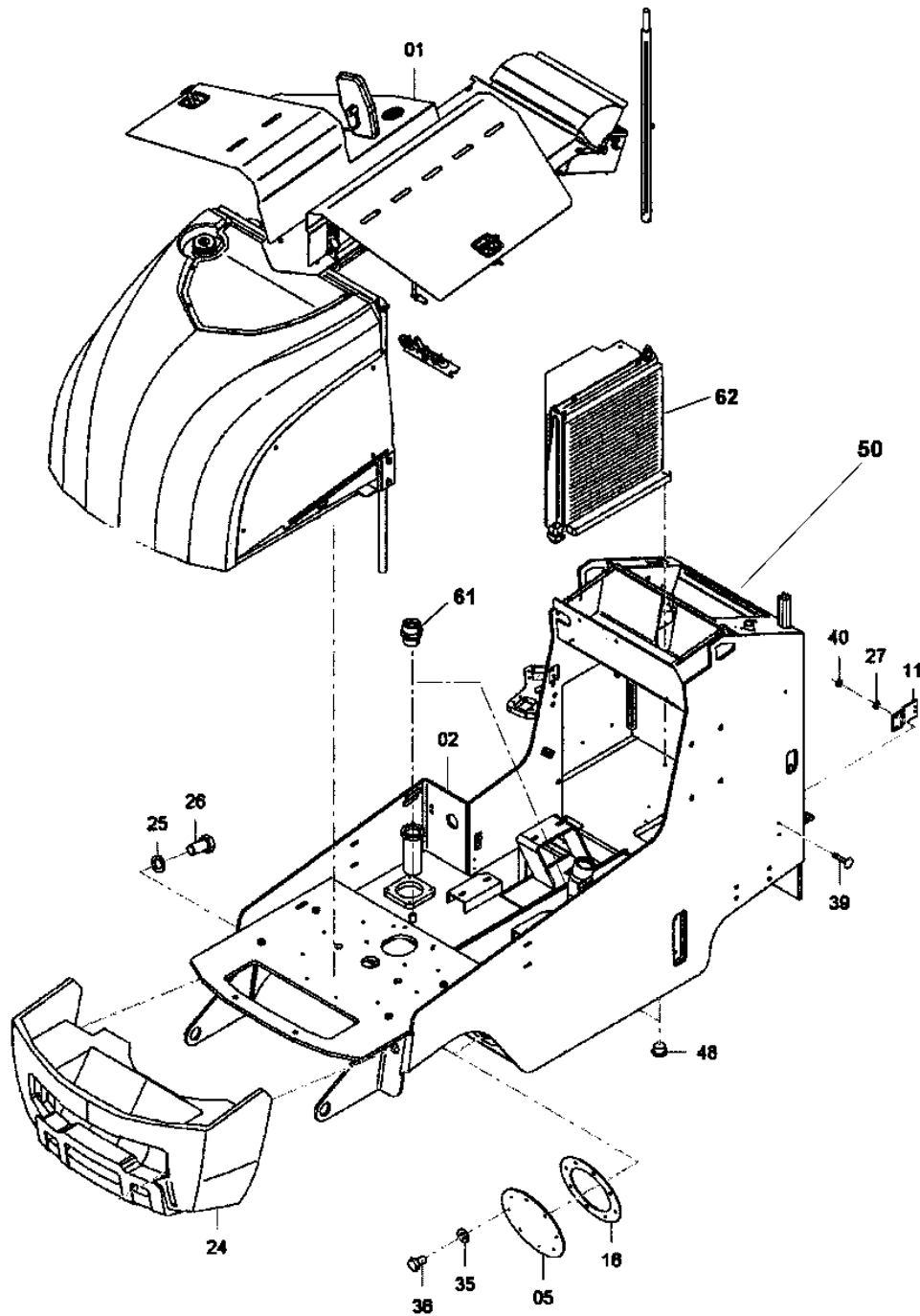
Wed Apr 01 20:36:32 MDT 2015

Item	Part No.	Name	Qty	L	SN INFO
5	4700939068	Oil filter	1		
6	D966598318	Fuel filter	1		
7	D966600185	Air filter, outer element primary	1		
8	D966600184	Air filter, inner element safety	1		
9	D964350859	Filter element	1		
10	D964350860	Filter element	1		
11	D932786550	Seal kit	1		
12	D966598107	V.belt	1		
13	D966711101	Gasket, valve cover	1		
14	D966630414	O-ring	3		
15	D964441206	Filter cartridge	1		

Refer to Parts Online for the most up to date information. The printed information might be outdated.

Wed Apr 01 20:36:32 MDT 2015

**Frame** Frame



Refer to Parts Online for the most up to date information. The printed information might be outdated.

Wed Apr 01 20:36:33 MDT 2015

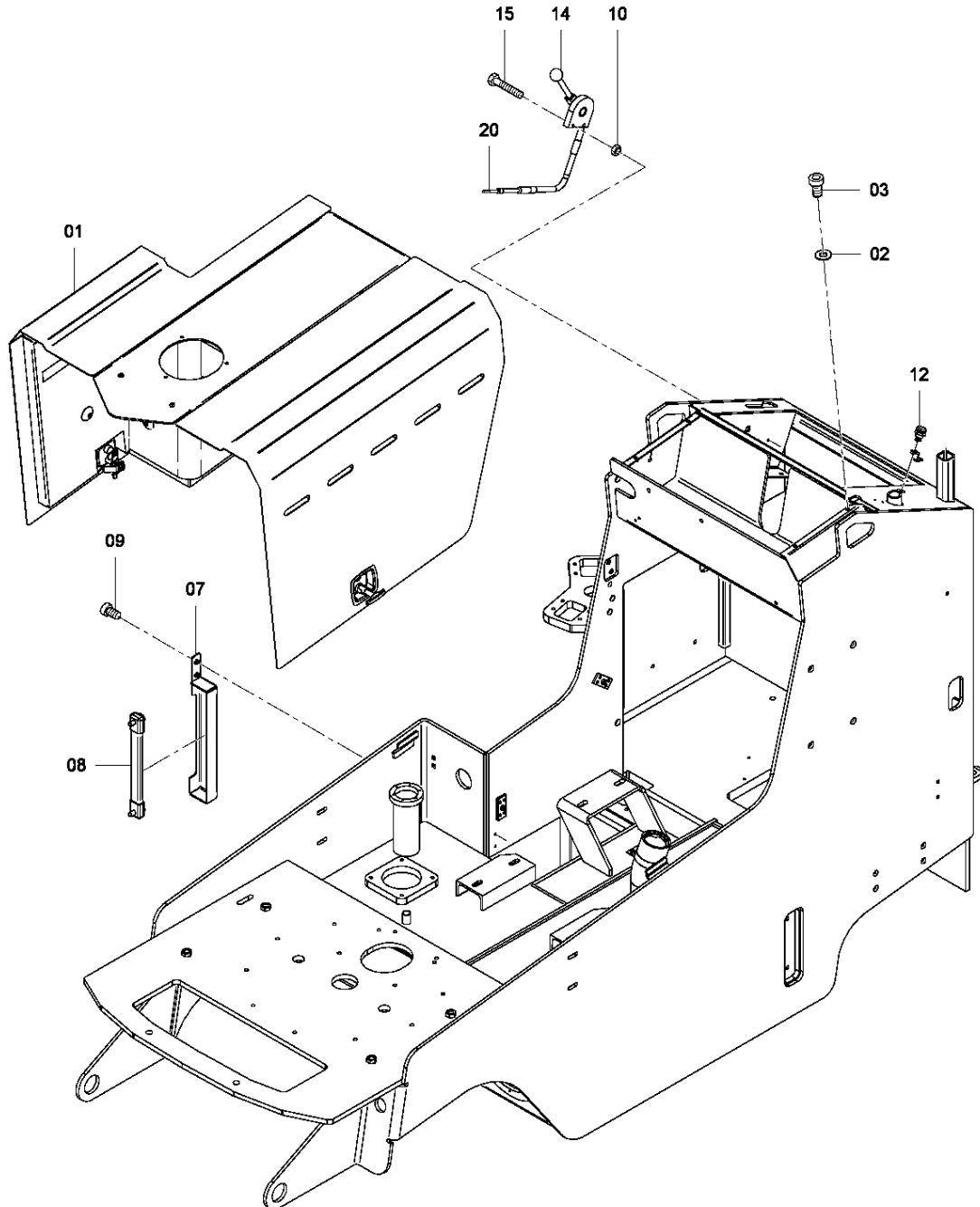
Item	Part No.	Name	Qty	L	SN INFO
1		Covering, compl.			
2	4812117571	Main frame	1		
5	D501510219	Cover	2		
11	D501510394	Holder	1		
16	D502010227	Gum sealing	2		
24	4812115457	Bumper	1		
25	D939776137	Locking washer	2		
26	D938151192	Hex. screw	2		
27	4749901806	Screw retention	4		
35	D939776111	Washer	16		
36	5730082735	Hexagon head screw	16		
39	0226991529	Flat head screw	2		
40	0266211000	Nut din934	4		
48	D961175211	Plug screw	2		
50		Main frame, back			
61	4812117568	Adapter	2		
62		Ballast Module			

Refer to Parts Online for the most up to date information. The printed information might be outdated.

Wed Apr 01 20:36:33 MDT 2015



**Frame** Covering, compl.



Refer to Parts Online for the most up to date information. The printed information might be outdated.

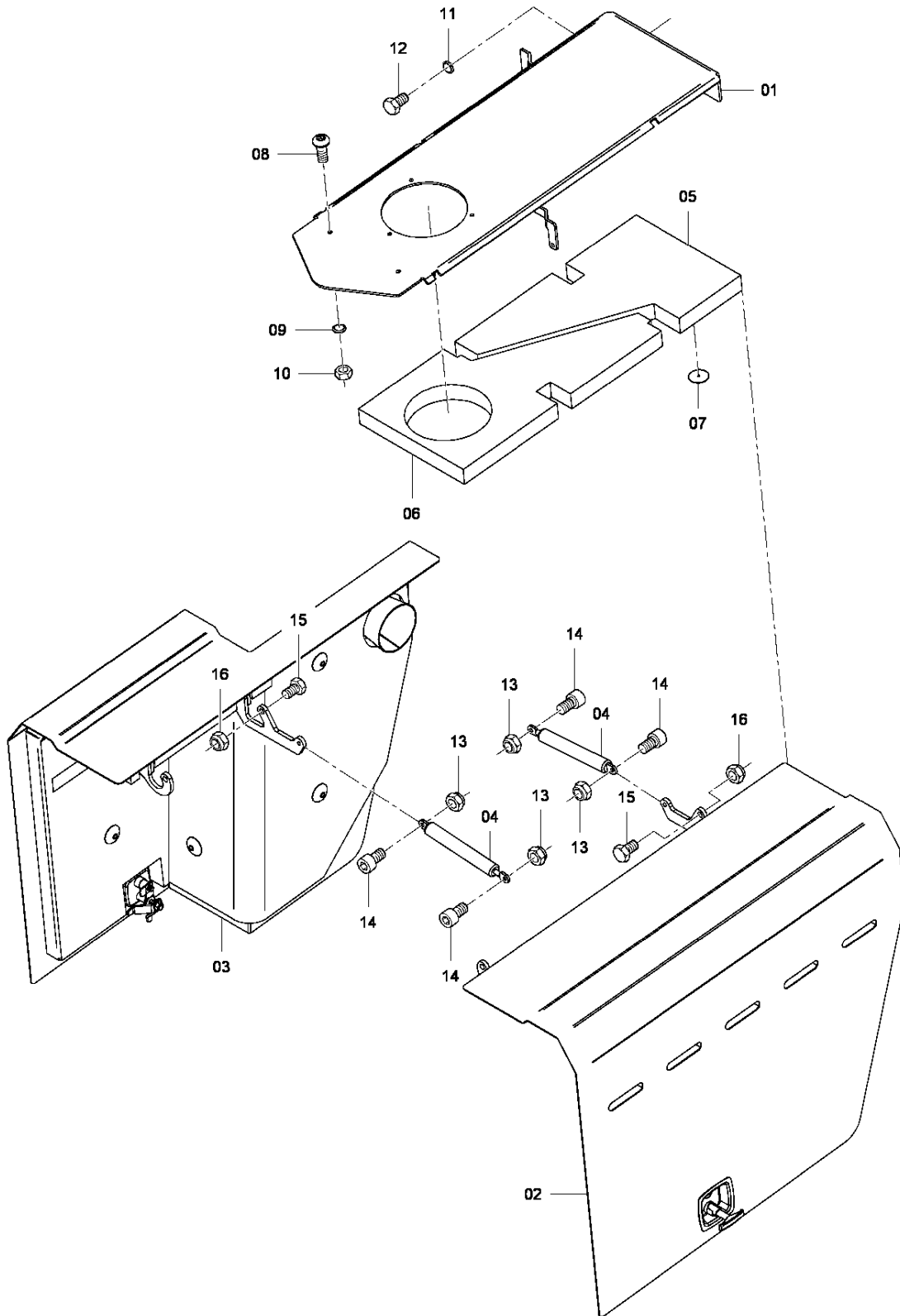
Wed Apr 01 20:36:33 MDT 2015

Item	Part No.	Name	Qty	L	SN INFO
1		Covering compl.			
2	4749901806	Screw retention	4		
3	0215000620	Hexagon socket button head screw	4		
7	D501510209	Protection	1		
8	D930211474	Level indicator	1		
10	0291112854	Hexagon nut	2		
12	4812271100	Lock with zunge	1		
14	D930429171	Lever, compl.	1		
14	D930177228	Push pull cable	1		
15	5730015168	Hexagon head screw	2		
20	D930177228	Push pull cable	1		

Refer to Parts Online for the most up to date information. The printed information might be outdated.

Wed Apr 01 20:36:33 MDT 2015

**Covering compl.** Covering compl.



Refer to Parts Online for the most up to date information. The printed information might be outdated.

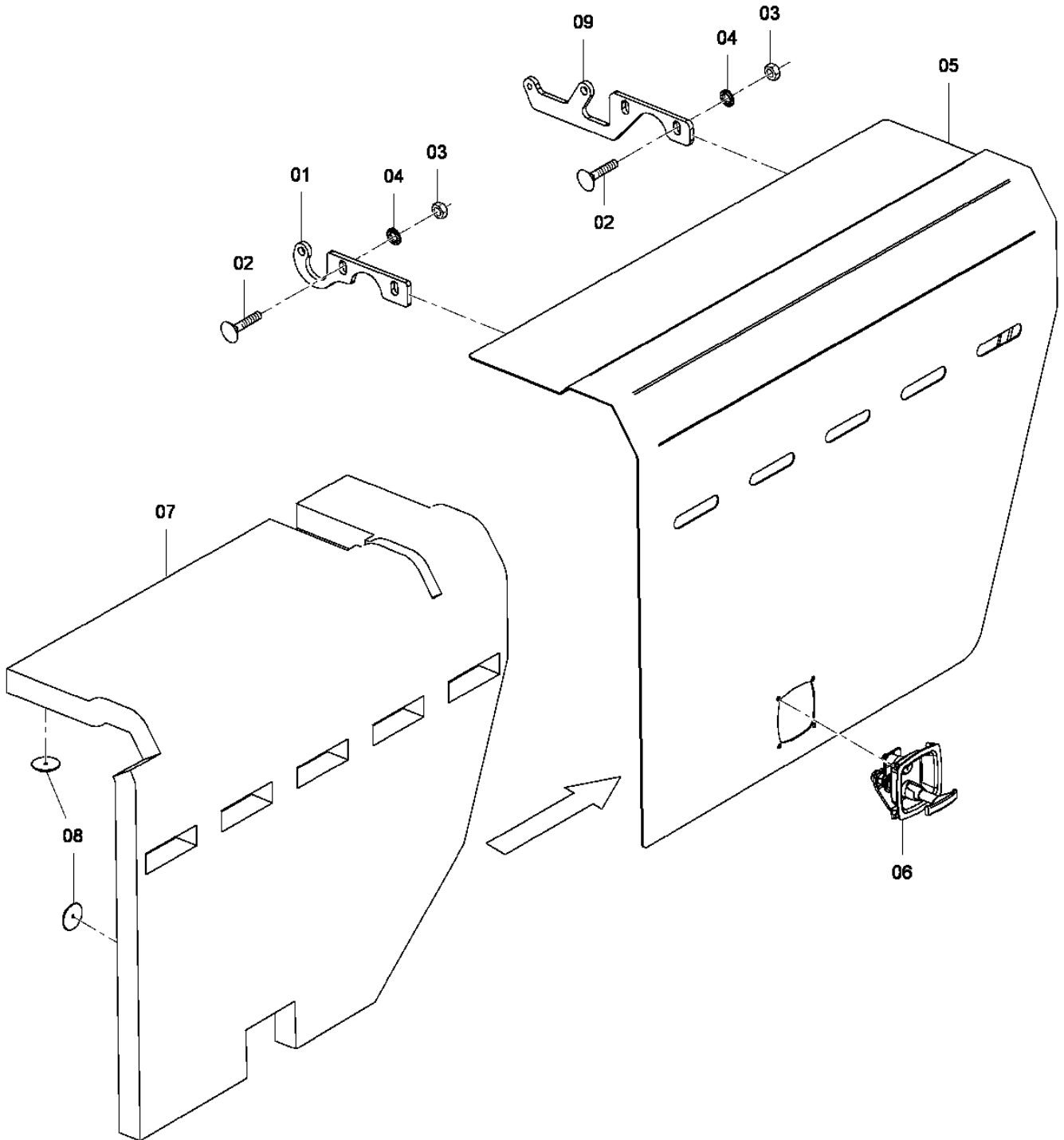
Wed Apr 01 20:36:33 MDT 2015

Item	Part No.	Name	Qty	L	SN INFO
1	4812000511	Center part	1		
2		Engine hood compl. Left side			
3		Engine hood compl. Right side			
4	4749302464	Pneumatic spring	2		
5	4812000481	Insulating material	1		
6	4812000482	Insulating material	1		
7	4749301479	Clip	6		
8	0215001064	Hexagon socket button head screw	2		
9	4749901806	Screw retention	2		
10	0266211000	Nut din934	2		
11	4749901807	Washer	2		
12	0147136203	Hex. head screw	2		
13	0291111000	Nut DIN985	4		
14	0211132503	Hex. Sock. Screw, MCS6 M8x25	4		
15	0147140103	Screw	2		
16	0291111200	Nut DIN985	2		
17	4749301479	Clip	24		
18	4812274275	Insulation	2		
19	4700904654	Screw	1		

Refer to Parts Online for the most up to date information. The printed information might be outdated.

Wed Apr 01 20:36:33 MDT 2015

**Covering compl.** Engine hood compl. Left side



Refer to Parts Online for the most up to date information. The printed information might be outdated.

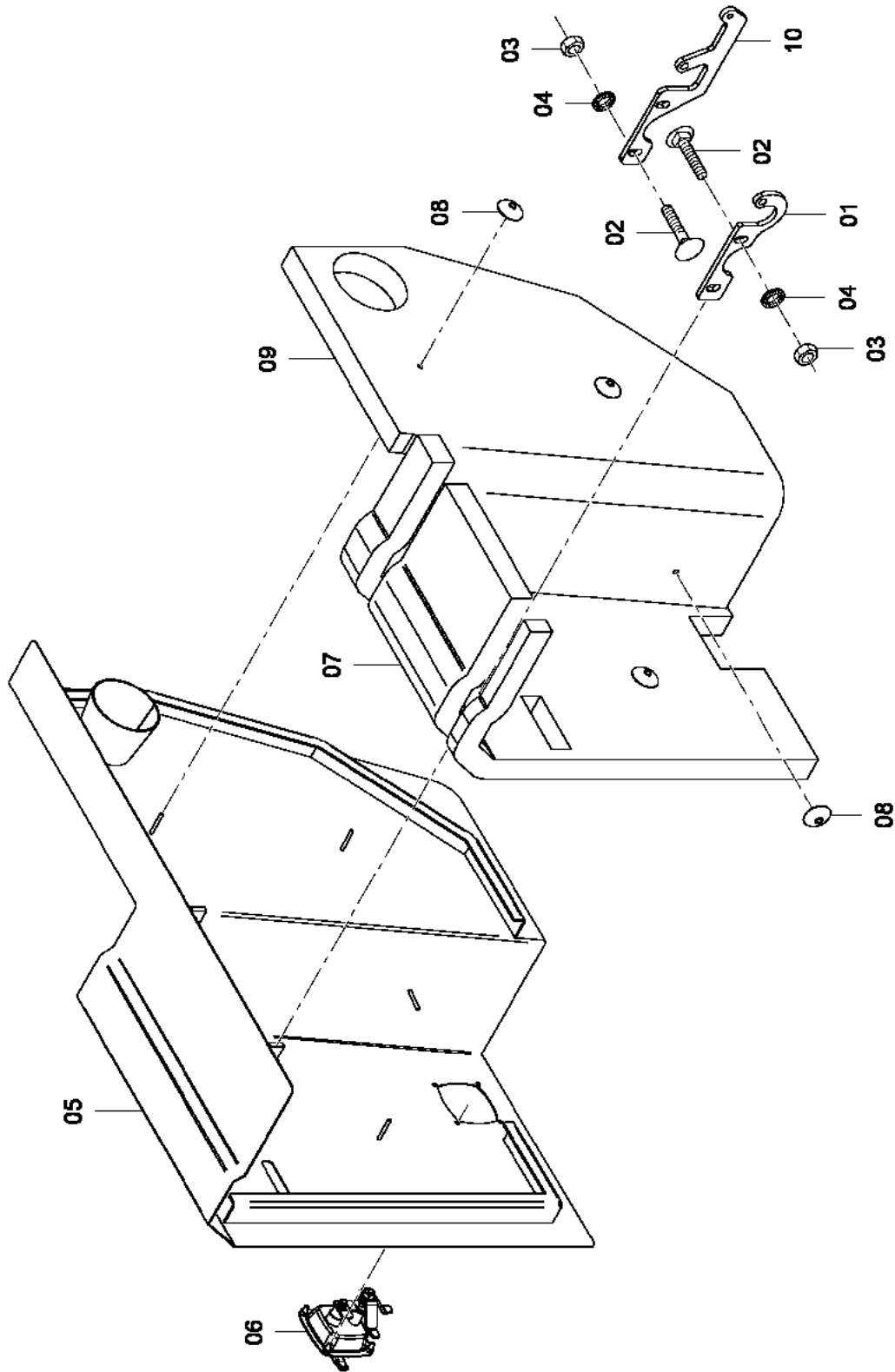
Wed Apr 01 20:36:34 MDT 2015

Item	Part No.	Name	Qty	L	SN INFO
1	4812000463	Hinge	1		
2	4700791948	Bolt M12x40H 8,8	4		
3	0266211200	Nut DIN934	4		
4	D939776117	Washer	4		
5	4812000458	Engine hood, left	1		
6	D930288001	Lock	1		
6_01	4700570004	Hex. nut	4		
6_02	4812002911	Lock	1		
7	4812000478	Insulating material	1		
8	4749301479	Clip	7		
9	4812000500	Strap	1		
10	4700202057	Rubber edge trim	3m		

Refer to Parts Online for the most up to date information. The printed information might be outdated.

Wed Apr 01 20:36:34 MDT 2015

**Covering compl.** Engine hood compl. Right side



Refer to Parts Online for the most up to date information. The printed information might be outdated.

Wed Apr 01 20:36:34 MDT 2015

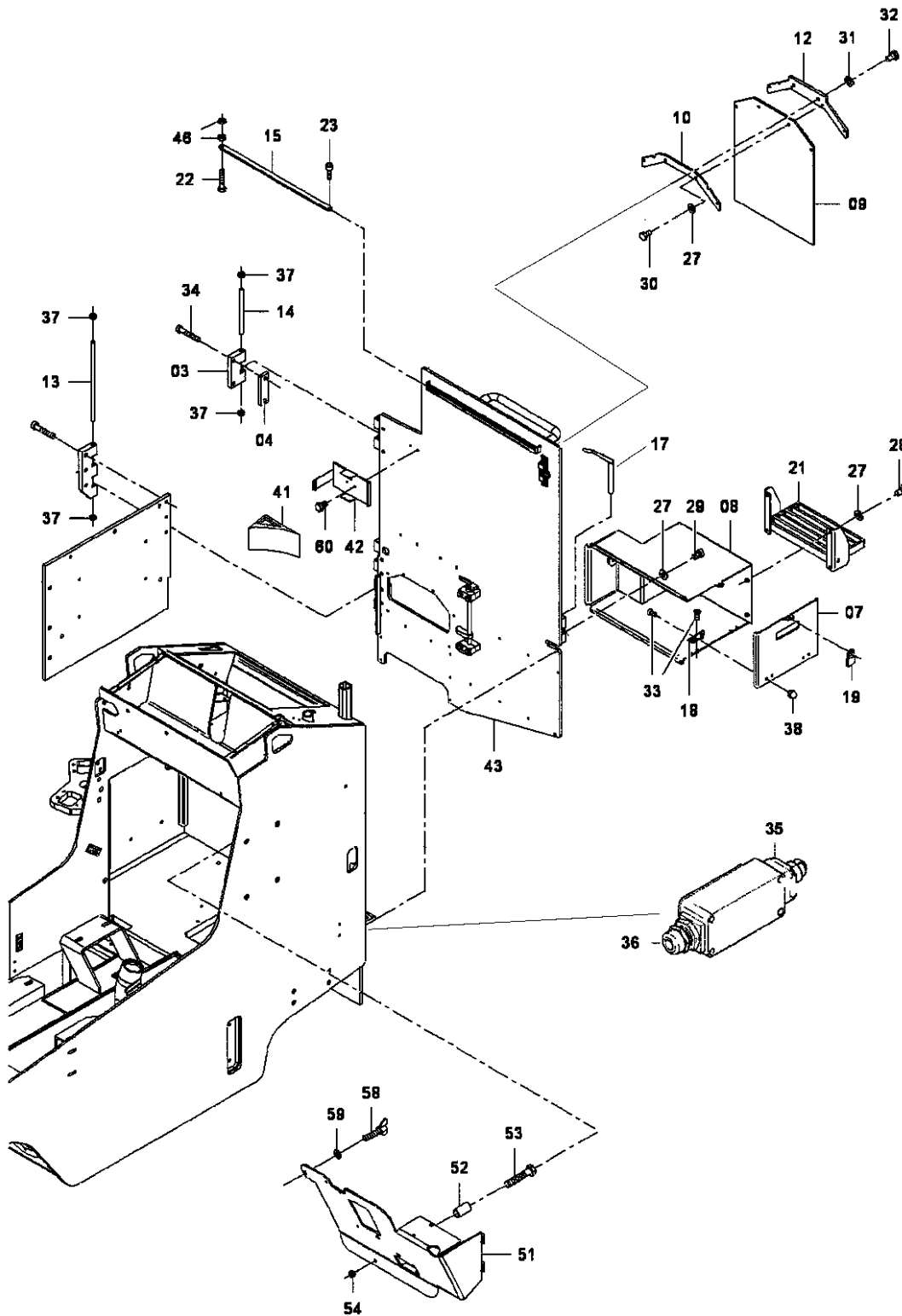
Item	Part No.	Name	Qty	L	SN INFO
1	4812000463	Hinge	1		
2	4700791948	Bolt M12x40H 8,8	4		
3	0266211200	Nut DIN934	4		
4	D939776117	Washer	4		
5	4812000469	Engine hood, right	1		
6	D930288001	Lock	1		
6_01	4700570004	Hex. nut	4		
6_02	4812002911	Lock	1		
7	4812000479	Insulating material	1		
8	4749301479	Clip	7		
9	4812000480	Insulating material	1		
10	4812000500	Strap	1		
11	4700202057	Rubber edge trim	3m		

Refer to Parts Online for the most up to date information. The printed information might be outdated.

Wed Apr 01 20:36:34 MDT 2015



Main frame, back Main frame, back



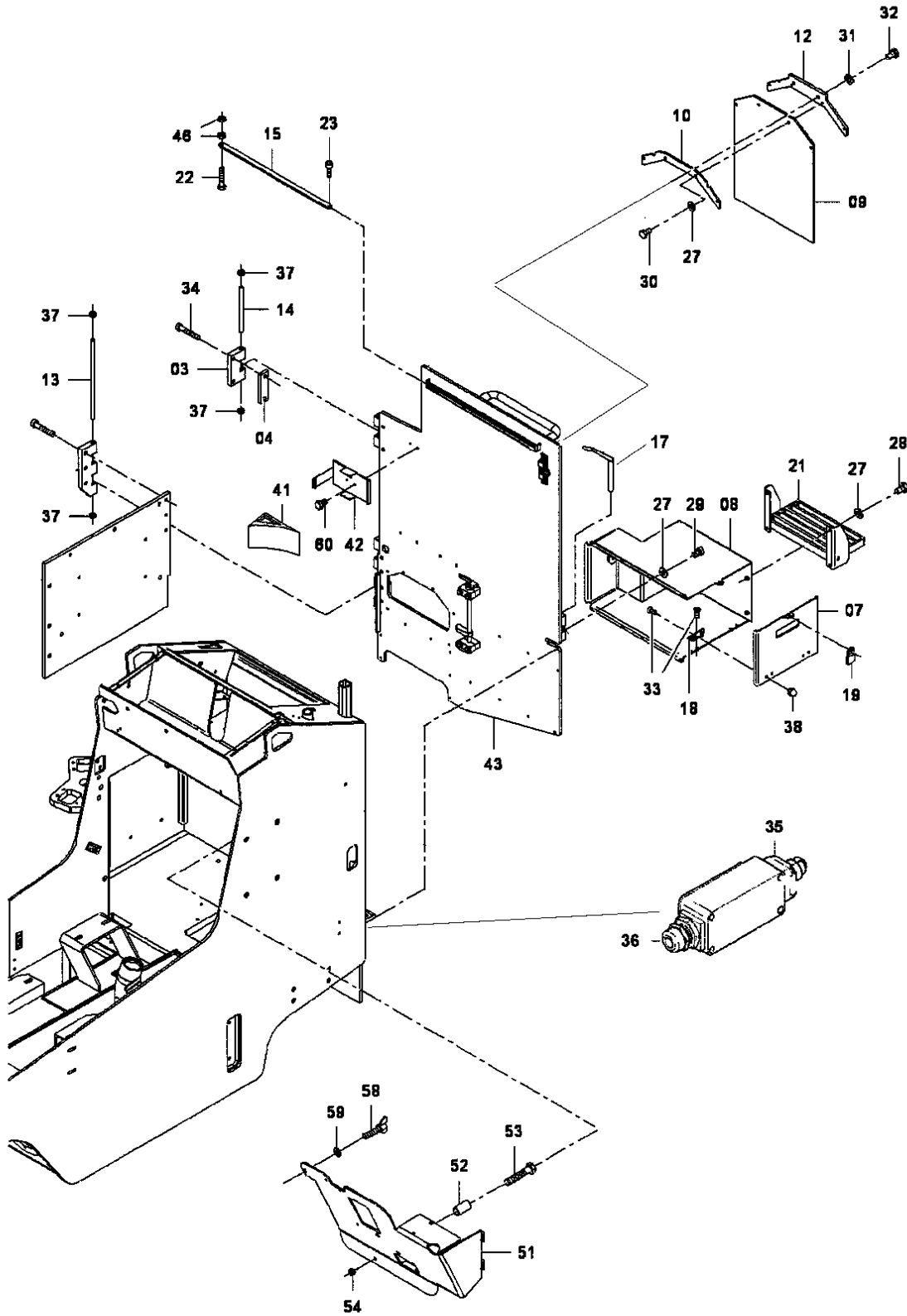
Refer to Parts Online for the most up to date information. The printed information might be outdated.

Wed Apr 01 20:36:34 MDT 2015

Item	Part No.	Name	Qty	L	SN INFO
3	D501510453	Hinge plate	1		
4	D501510461	Distance piece	1		
7	D501510348	Cover	1		
8	D501510363	Tool box	1		
9	D501510342	Rubber sheeting	1		
10	D501510343	Frame	1		
12	D501510471	Frame	1		
13	D501510462	Bolt	1		
14	D501510463	Bolt	1		
15	4812002978	Fastener	1		
17	4812002695	Socket pin	1		
18	4749302191	Hinge	2		
19	D930450726	Padlock	1		
20	4812271875	Plate	1		
21	D930288051	Fold-away step	1		
22	0147196394	Hexagon head screw	1		
23	0211132003	Screw	1		
27	4749901806	Screw retention	12		
28	0147132203	Screw	4		
29	0211132203	Hex sock. screw	8		
30	0147132503	Screw DIN933	4		
31	D939776117	Washer	2		
32	0147139803	Hex. head screw	2		
33	0216195726	Countersunk screw	8		
34	0215001068	Hexagon socket head cap screw	2		
35	D977522354	Sensor	1		
36	4812002917	Screwing	1		
37	5541396800	Hexagon nut	4		
38	0277130800	Cap nut	4		
41	D930251541	Stop block	1		
42	D930251542	Holder	1		
43		Rear door compl.	1		
46	0266211100	Hexagon nut	2		
51	4812001611	Console	1		
52	4812001620	Pipe	1		

Refer to Parts Online for the most up to date information. The printed information might be outdated.

Wed Apr 01 20:36:34 MDT 2015



Refer to Parts Online for the most up to date information. The printed information might be outdated.

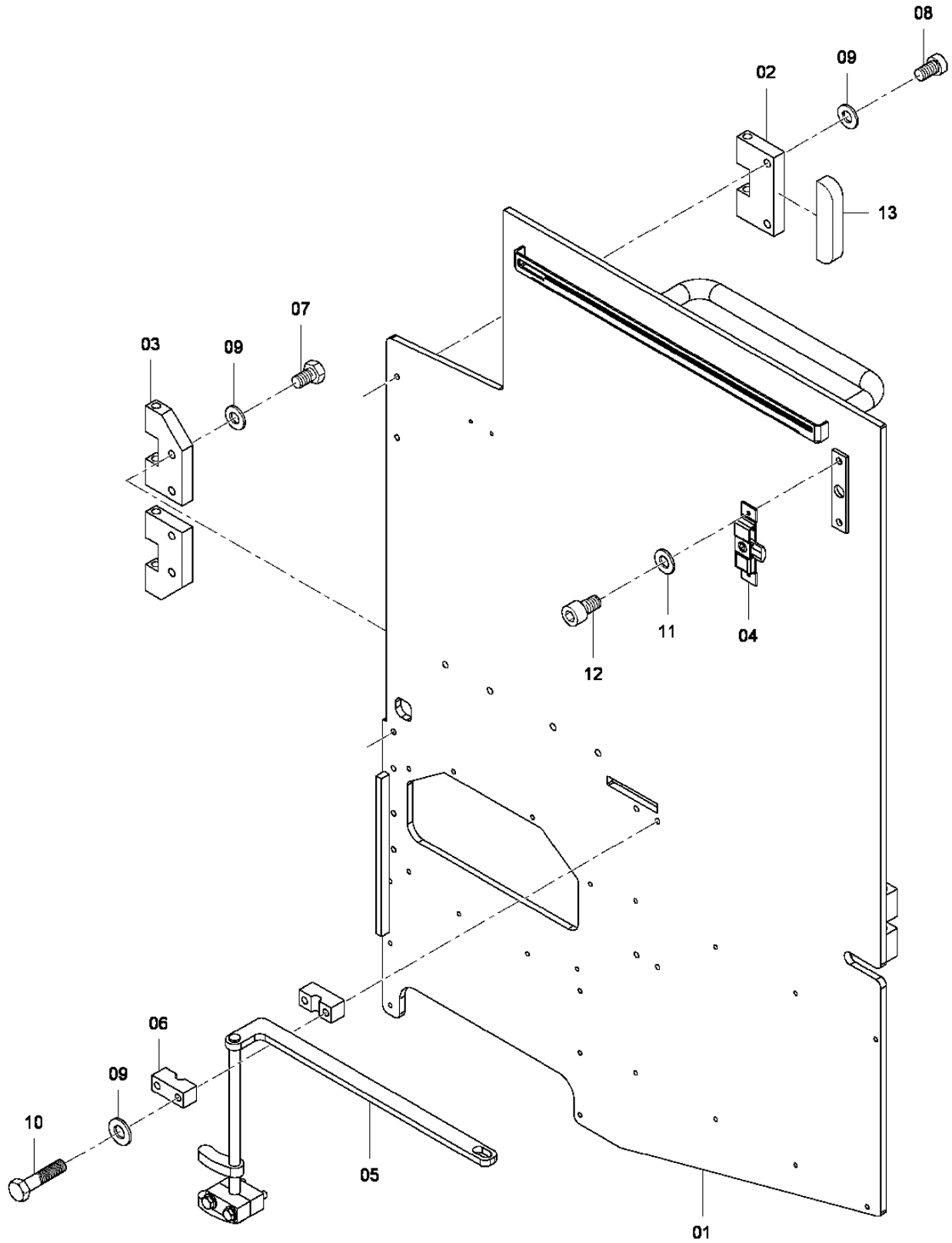
Wed Apr 01 20:36:35 MDT 2015

Item	Part No.	Name	Qty	L	SN INFO
53	0147133803	Hexagon head screw	1		
54	0291111000	Nut DIN985	1		
58	0223195711	Butterfly screw	1		
59	D939776113	Washer	1		
60	0147124403	Screw DIN933	2		

Refer to Parts Online for the most up to date information. The printed information might be outdated.

Wed Apr 01 20:36:35 MDT 2015

**Main frame, back** Rear door compl.



Refer to Parts Online for the most up to date information. The printed information might be outdated.

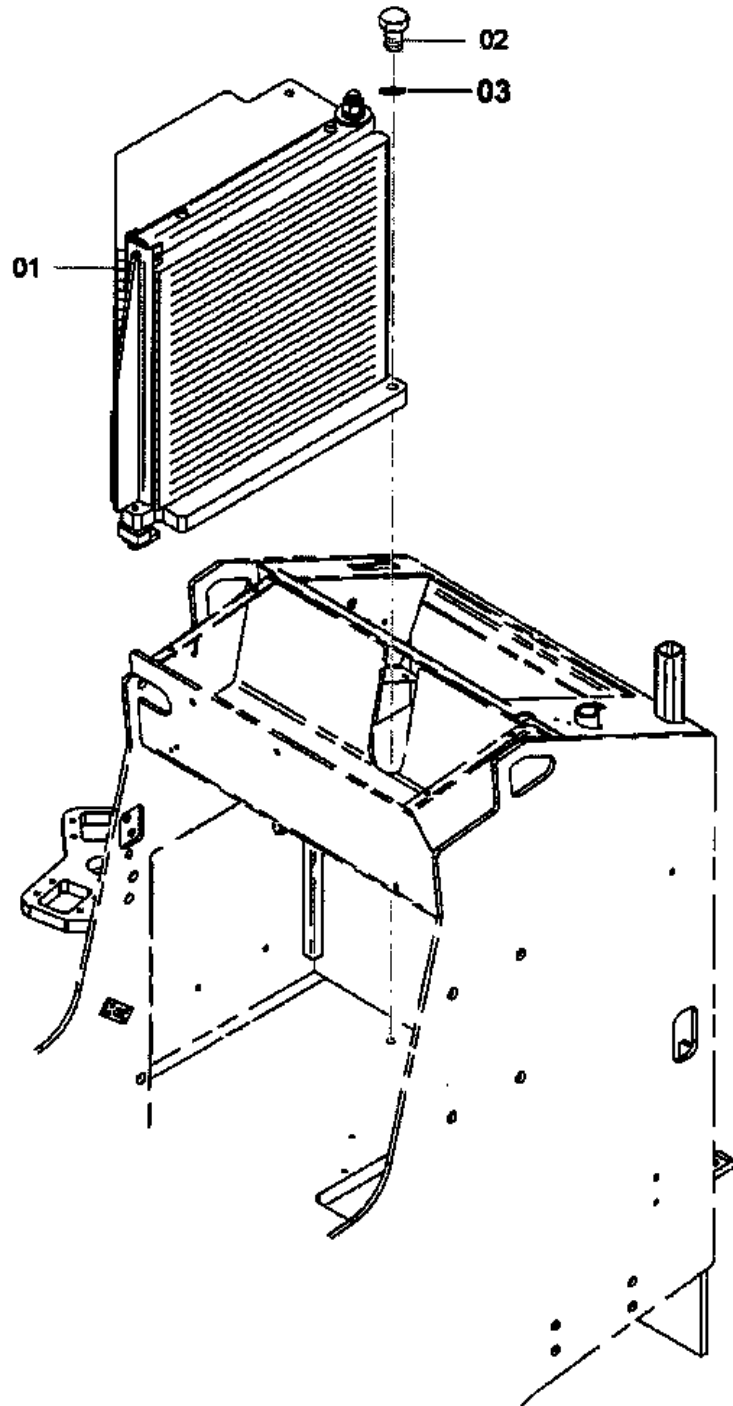
Wed Apr 01 20:36:35 MDT 2015

Item	Part No.	Name	Qty	L	SN INFO
1	4812000593	Rear door	1		
2	D501510453	Hinge plate	1		
3	D501510456	Hinge plate	2		
4	D930579800	Latch	1		
4_01	D956114040	Punch key	1		
5	D501510450	Lever	1		
6	D501510465	Bearing support	4		
7	0147136403	Hex. head screw	4		
8	9125718100	Hexagon socket head cap screw	2		
9	D939776115	Washer	10		
10	D938165716	Screw	4		
11	0301231800	Washer DIN125	2		
12	D937926163	Screw	2		
13	4812002852	Rubber plate	1		

Refer to Parts Online for the most up to date information. The printed information might be outdated.

Wed Apr 01 20:36:35 MDT 2015

**Ballast Module** Ballast Module



Refer to Parts Online for the most up to date information. The printed information might be outdated.

Wed Apr 01 20:36:35 MDT 2015

Item	Part No.	Name	Qty	L	SN INFO
1		Ballast weight	1		
2	4700500134	Hex. screw	1		
3	4700904232	Steel plain washer	1		

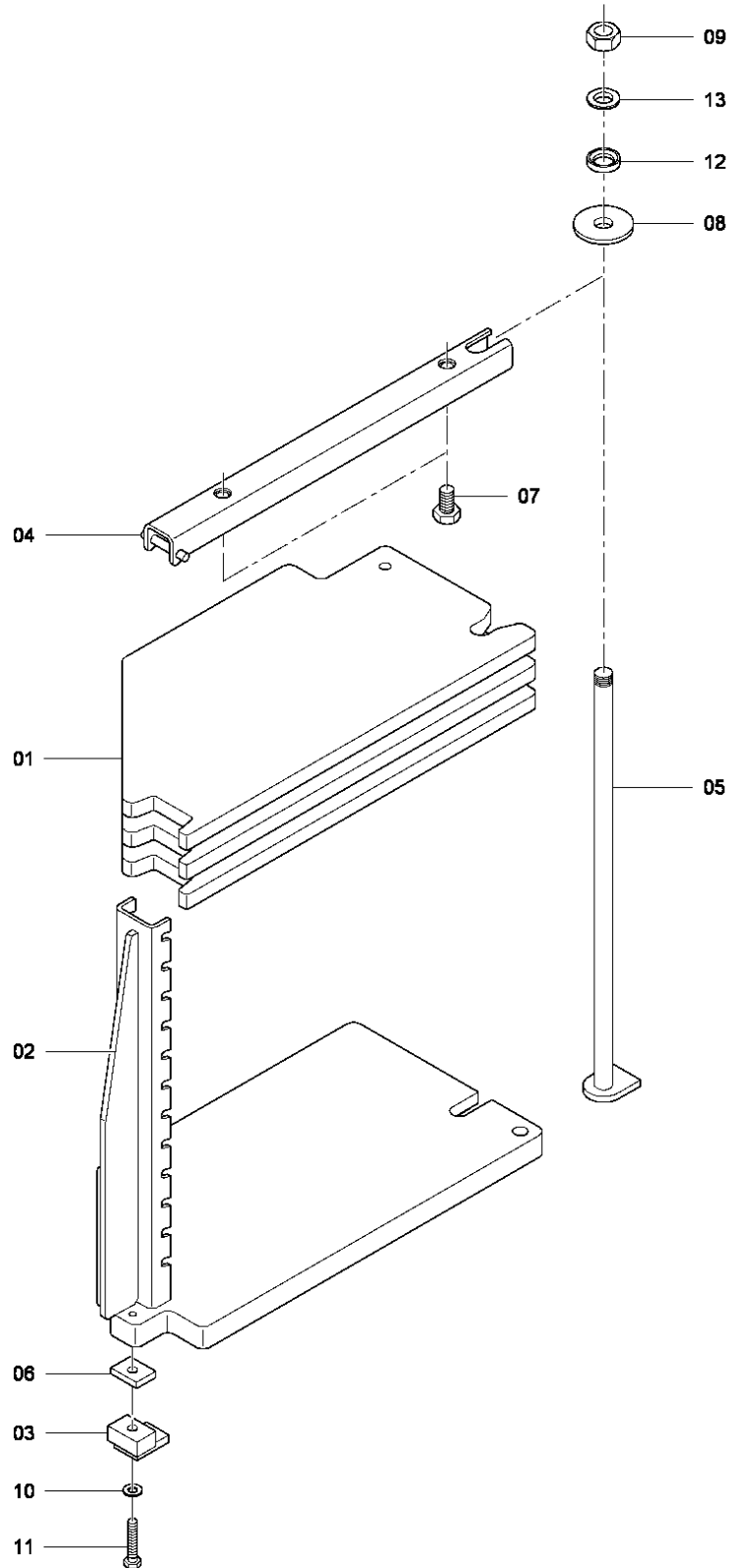
---

Refer to Parts Online for the most up to date information. The printed information might be outdated.

Wed Apr 01 20:36:35 MDT 2015



**Ballast Module** Ballast weight

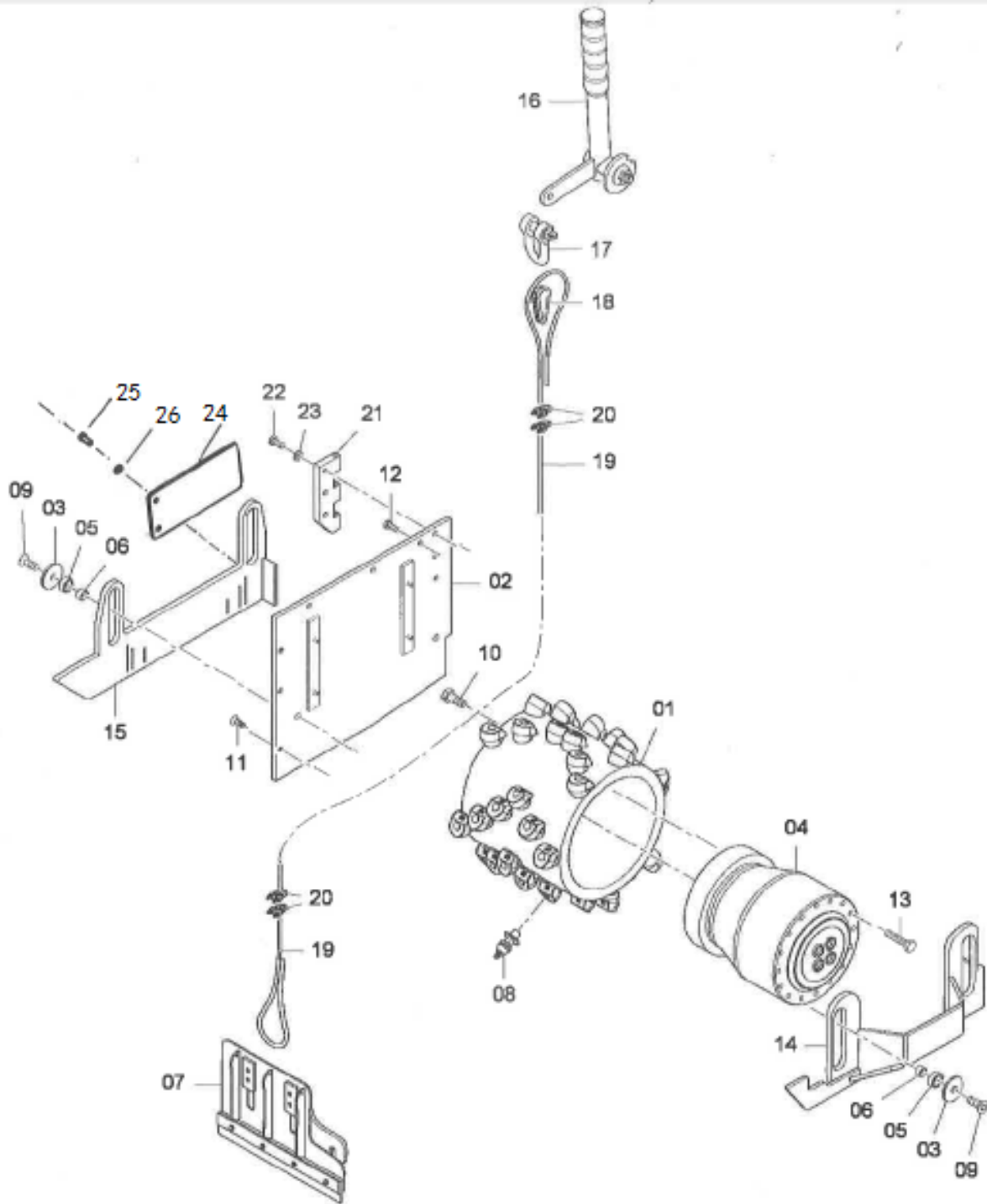


Refer to Parts Online for the most up to date information. The printed information might be outdated.

Wed Apr 01 20:36:35 MDT 2015

Item	Part No.	Name	Qty	L	SN INFO
1	D501010309	Weight	22		
2	D501010304	Ground plate	1		
3	D501010428	Lock shackle	1		
4	D501010310	Crossbar	1		
5	D501010315	Round bar	1		
6	D501010427	Plate	1		
7	0147147703	Screw DIN933	2		
8	0300013036	flat washer	1		
9	0266211600	Hexagon nut	1		
10	0302127405	Flat washer	1		
11	0147137103	Screw	1		
12	0304101200	Conical seat	1		
13	0304106200	Ball washer	1		

**Milling unit** Milling unit



Refer to Parts Online for the most up to date information. The printed information might be outdated.

Wed Apr 01 20:36:35 MDT 2015

Item	Part No.	Name	Qty	L	SN INFO
Not Shown		Hydraulic components			
1		Milling drums			
2	D501520210	Milling box cover	1		
3	D501020115	Disc	4		
5	D501020123	Pipe	4		
6	D501020124	Pipe	4		
7		Plate, front			
8		Bit tools			
9	0216110055	Countersunk screw	4		
10	0147195968	Hexagon head screw	10		
11	0216195762	Countersunk screw	3		
12	0147140103	Screw	3		
13	0147196219	Hexagon head screw	16		
14	D501530151	Side shield, left	1		
15	D501530142	Side shield, right	1		
16	D501520500	Lever			
17	D930440021	Clevis	1		
18	D930280352	Thimble	1		
19	4749301277	Steel wire rope x m	1		
20	D930421803	Rope clamp	4		
21	D501510455	Hinge	1		
22	0147196394	Hexagon head screw	3		
23	D939776115	Washer	3		
24	4812271874	Plate	1		
25	4700500053	Hex. screw	2		
26	4700904229	Steel plain washer 8.4X16X1.5	2		

Refer to Parts Online for the most up to date information. The printed information might be outdated.

Wed Apr 01 20:36:36 MDT 2015

**Hydraulic components** Hydraulic components

**NO DRAWING  
AVAILABLE  
FOR THIS BOM**

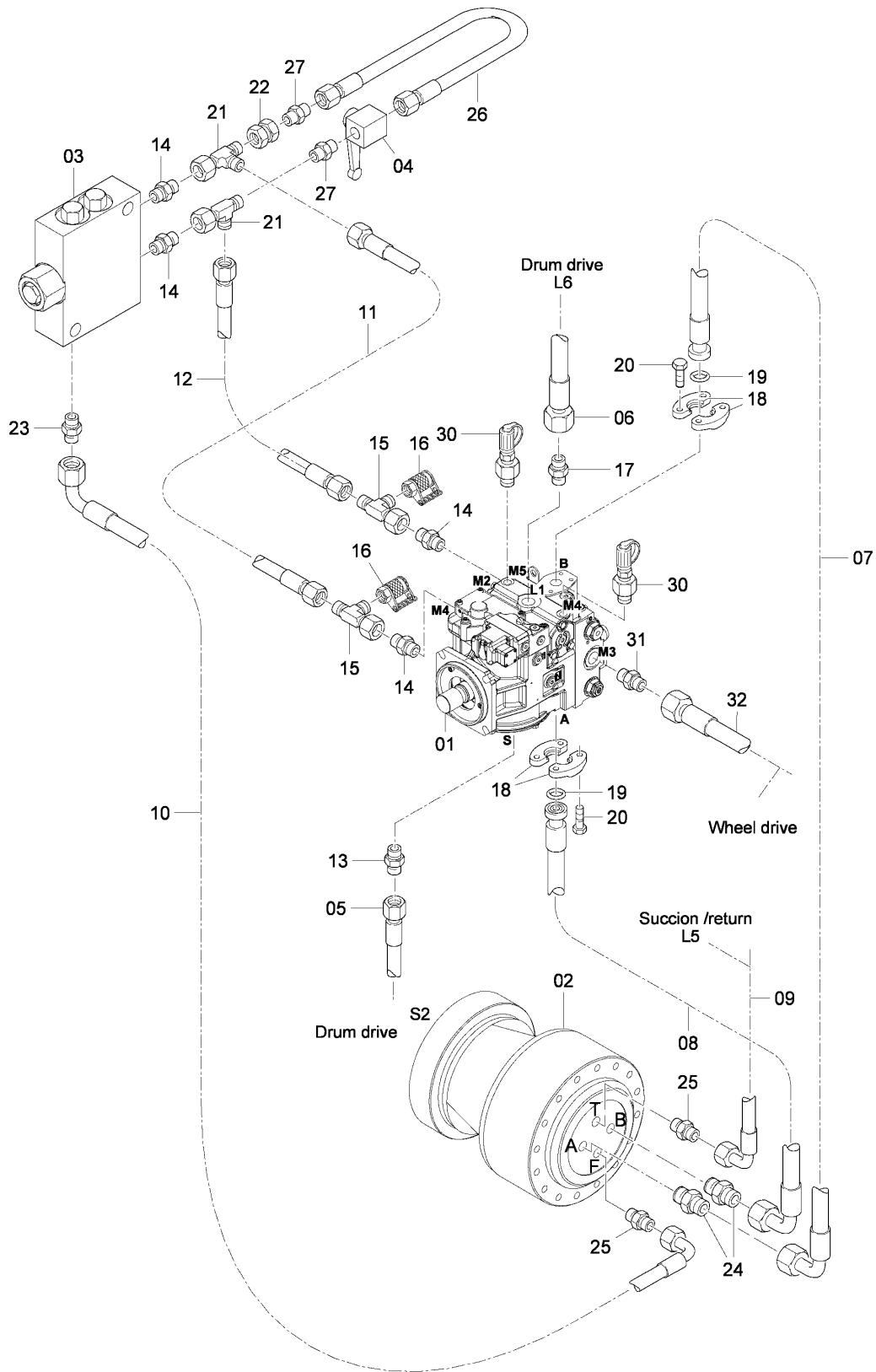
Item	Part No.	Name	Qty	L	SN INFO
1		Drum drive			

---

Refer to Parts Online for the most up to date information. The printed information might be outdated.

Wed Apr 01 20:36:36 MDT 2015

**Drum drive Drum drive**



Refer to Parts Online for the most up to date information. The printed information might be outdated.

Wed Apr 01 20:36:36 MDT 2015

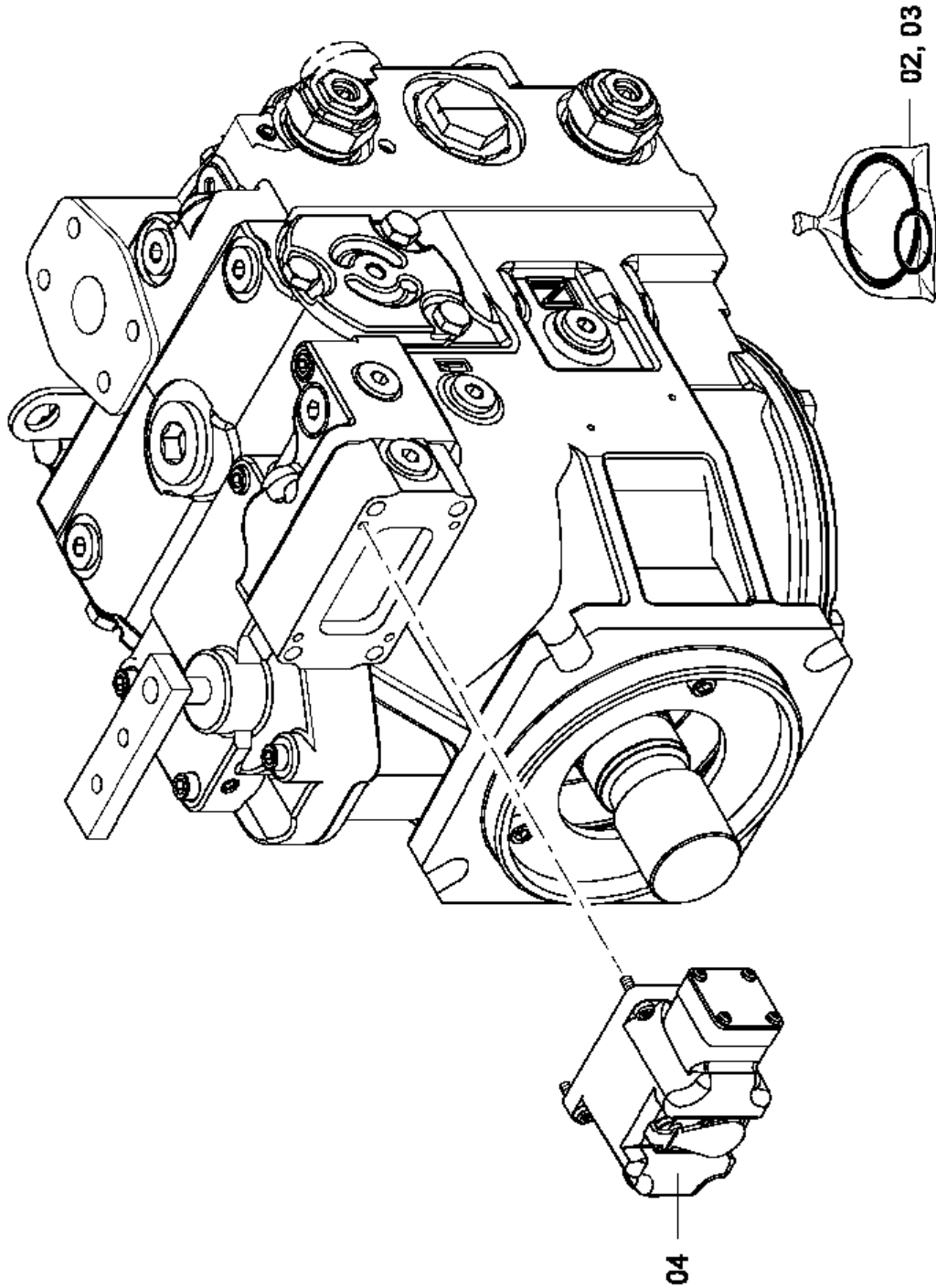
Item	Part No.	Name	Qty	L	SN INFO
1	D967045901	Pump, drum drive			
2	D966085551	Radial piston motor			
3	D963460011	Flush valve	1		
4	D930296631	Ball valve	1		
5	D960881381	Hose	1		
6	4812002076	Hose	1		
7	D960872814	Hose	1		
8	D960871261	Hose	1		
9	D960841854	Hose	1		
10	4812002077	Hose	1		
11	4812002078	Hose	1		
12	4812002079	Hose	1		
13	D961935312	Stud	1		
14	D961935337	Stud	4		
15	D961918018	Adapter, T-connector	2		
16	D961772620	Test connector	2		
17	D961935311	Straight double-ended union	1		
18	D930211285	Flange	4		
19	D932323235	O-ring	2		
20	5530506100	Hexagon head screw	8		
21	D961919018	Swivel nut run tee	2		
22	D961121018	Adapter	1		
23	D961953084	Straight coupling	1		
24	D961353217	Straight double-ended union	2		
25	D961935308	Adapter	2		
26	D501570500	Pipeline	1		
27	D961935337	Stud	2		
28	D961102058	Cutting ring	2		
29	D961102018	Nut	2		
30	D961772678	Test point	2		
31	D961935307	Straight double-ended union	1		
32	D960830402	Hose	1		

Refer to Parts Online for the most up to date information. The printed information might be outdated.

Wed Apr 01 20:36:36 MDT 2015



**Drum drive** D967045901 Pump, drum drive



Refer to Parts Online for the most up to date information. The printed information might be outdated.

Wed Apr 01 20:36:36 MDT 2015

Item	Part No.	Name	Qty	L	SN INFO
2	4700679686	Sealing kit	1		
3	D936654111	Shaft sealing ring	1		
4	D967664445	Electr.-hydr. servo control	1		

---

Refer to Parts Online for the most up to date information. The printed information might be outdated.

Wed Apr 01 20:36:36 MDT 2015

**Milling drums** Milling drums

**NO DRAWING  
AVAILABLE  
FOR THIS BOM**

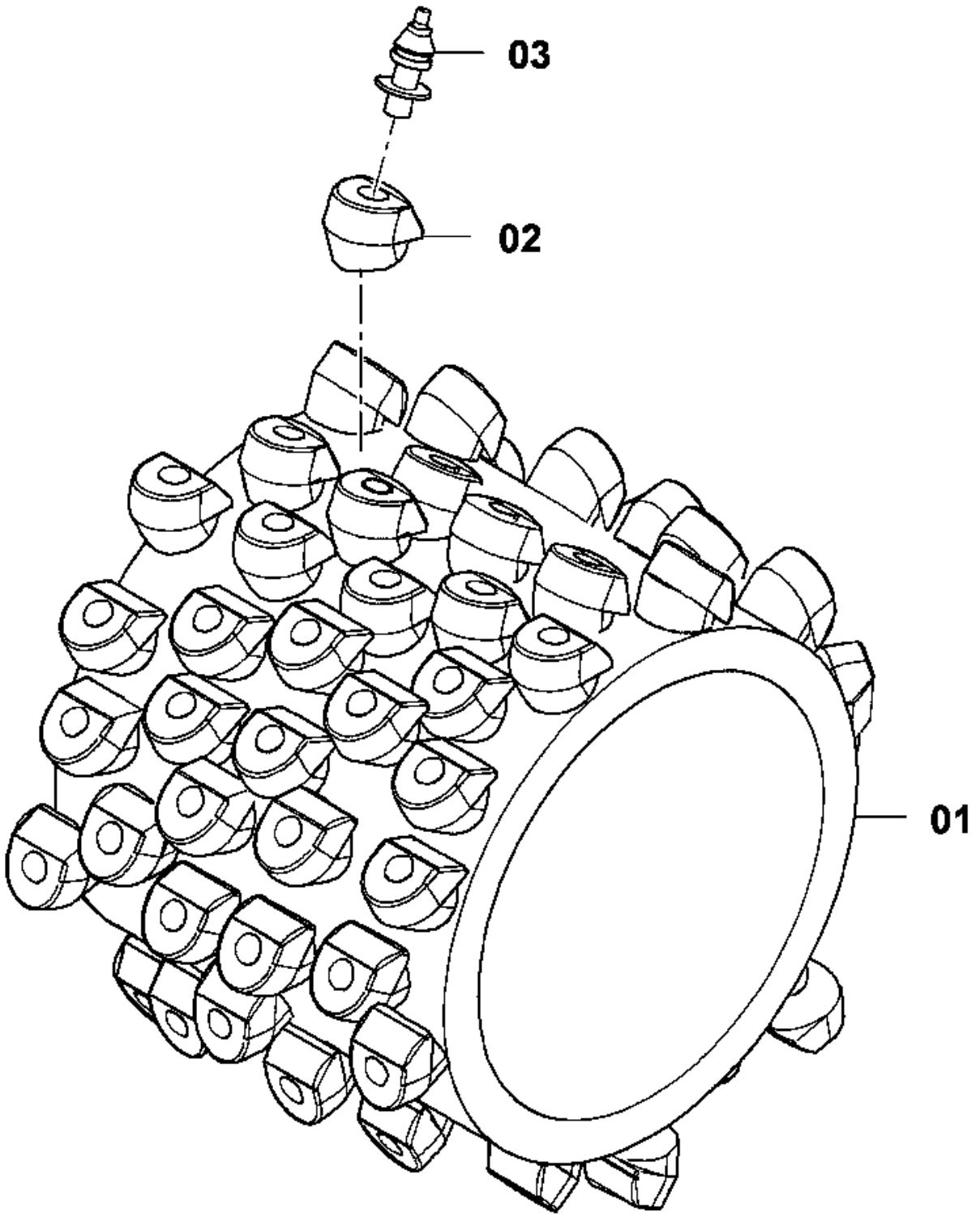
Item	Part No.	Name	Qty	L	SN INFO
1		Milling drum standard C10HD			
2		Fine milling drum C10			
3		Micro milling drum C10			
4		Fine milling drum C10HD			

---

Refer to Parts Online for the most up to date information. The printed information might be outdated.

Wed Apr 01 20:36:36 MDT 2015

**Milling drums** Milling drum standard C10HD



Refer to Parts Online for the most up to date information. The printed information might be outdated.

Wed Apr 01 20:36:36 MDT 2015

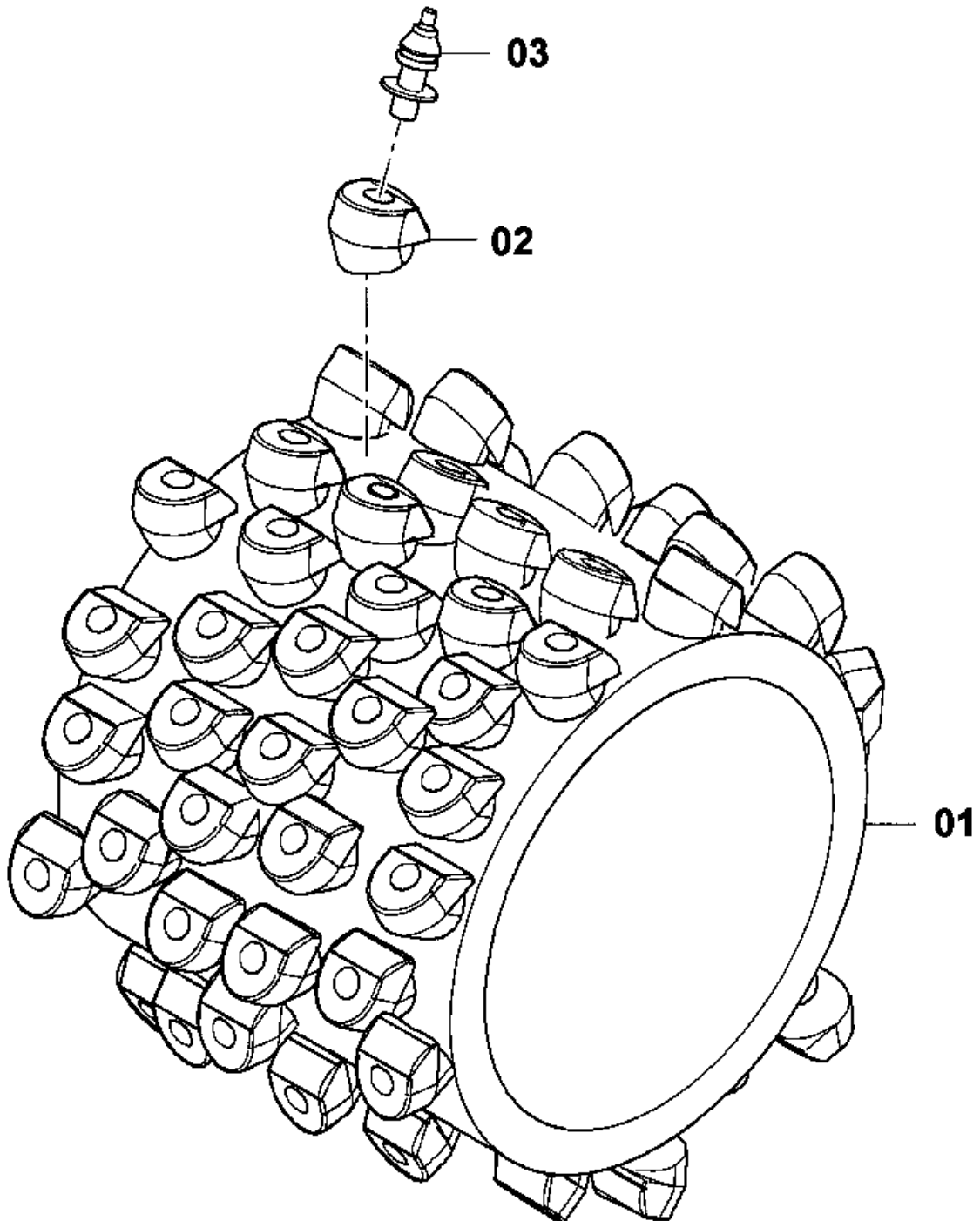
Item	Part No.	Name	Qty	L	SN INFO
1	D501020145	Standard milling drum C10HD	1		
2	D930240600	Bit holder	38		
3	D930418509	Bits RP18	38	10	
3_01	D956901050	Anti-seize	1		

Comments for Page: Milling drum standard C10HD

(L)OCAL REMARKS

10 | en\_US | Order separately

**Milling drums** Fine milling drum C10



Refer to Parts Online for the most up to date information. The printed information might be outdated.

Wed Apr 01 20:36:37 MDT 2015

Item	Part No.	Name	Qty	L	SN INFO
1	D501020146	Fine milling drum C10	1		
2	D930320130	Bit holder	160		
3	D930418509	Bits RP18	160		
3_01	D956901050	Anti-seize	1		

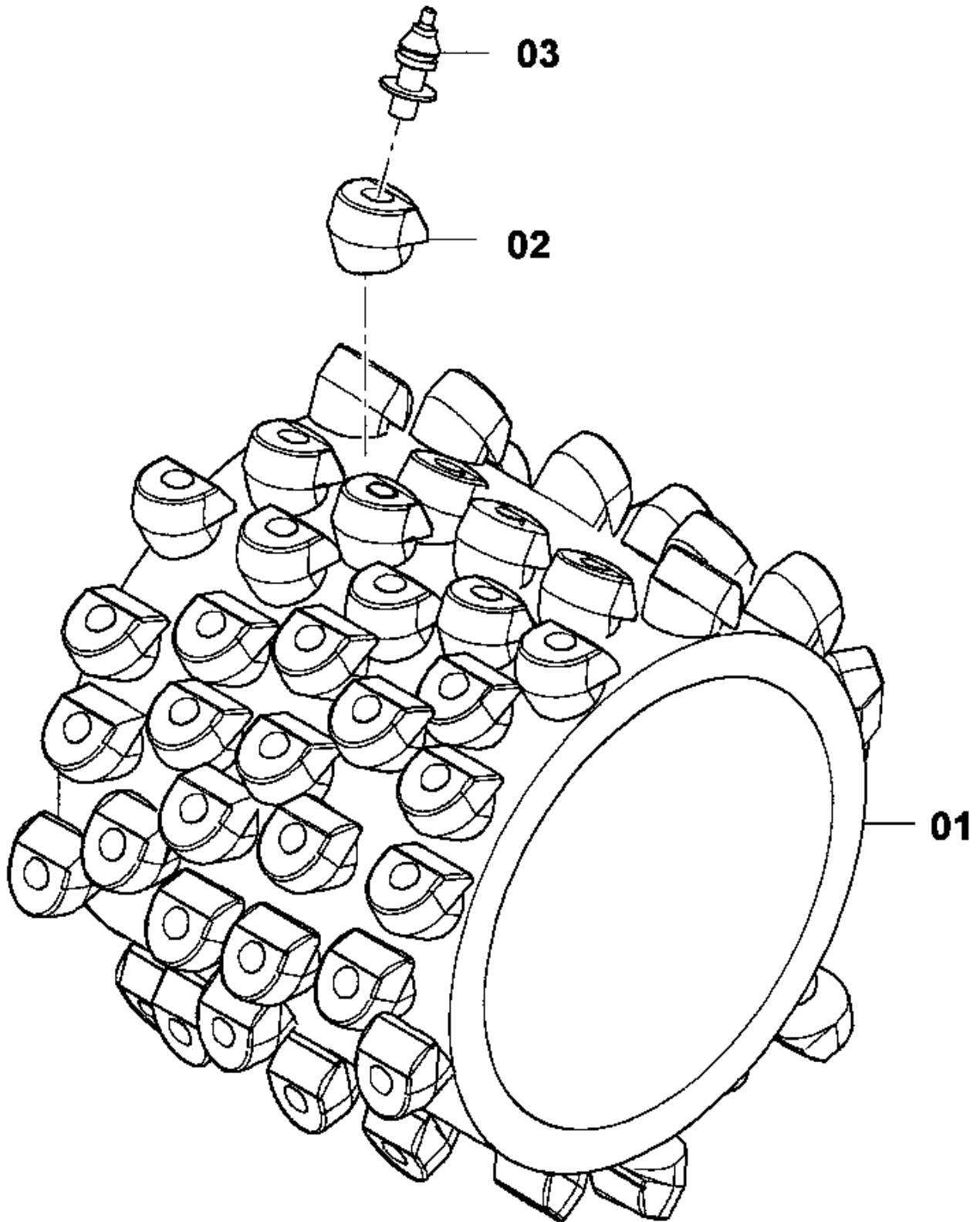
---

Refer to Parts Online for the most up to date information. The printed information might be outdated.

Wed Apr 01 20:36:37 MDT 2015



**Milling drums** Micro milling drum C10



Refer to Parts Online for the most up to date information. The printed information might be outdated.

Wed Apr 01 20:36:37 MDT 2015

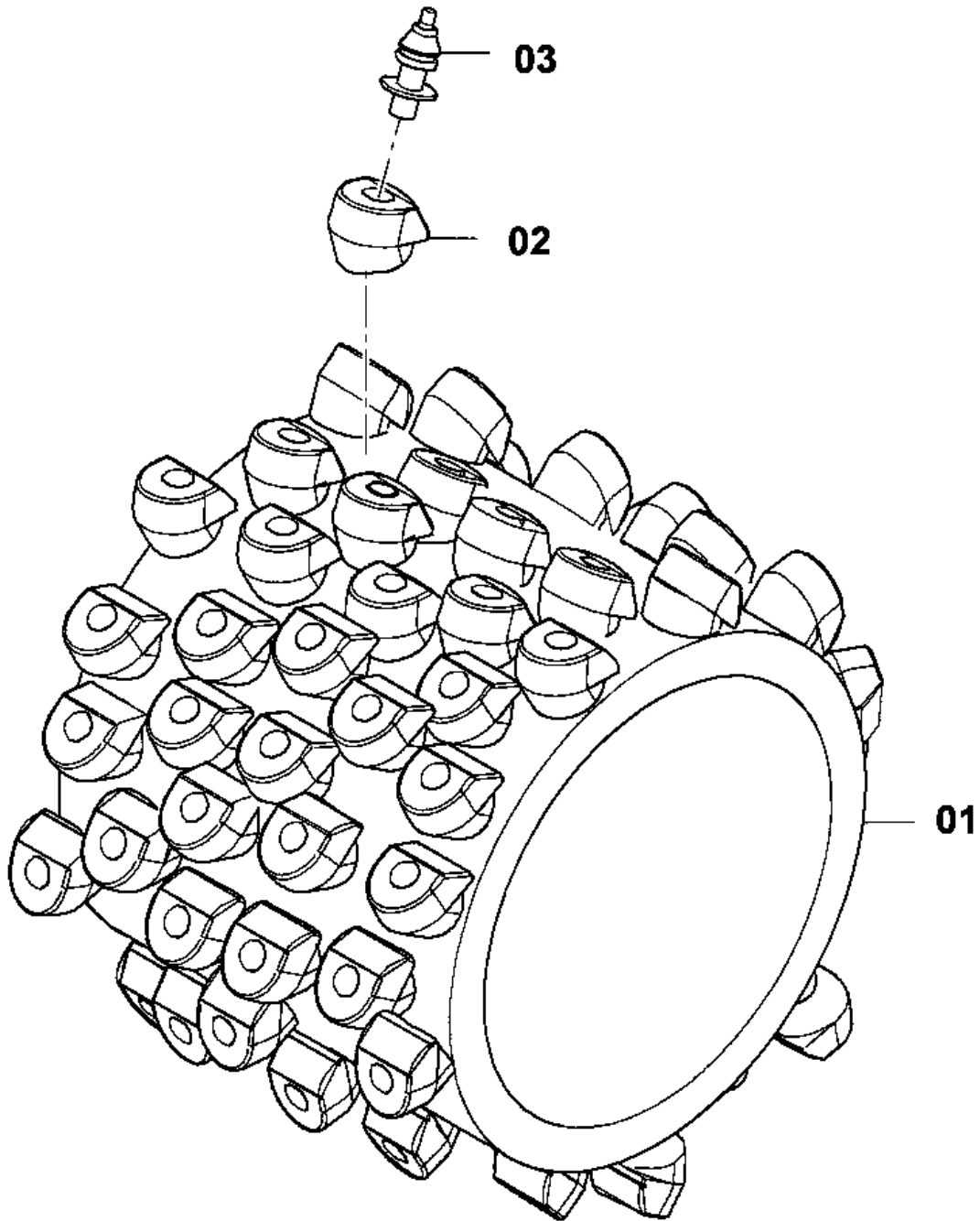
Item	Part No.	Name	Qty	L	SN INFO
1	D501020283	Micro milling drum C10	1		
2	D930320130	Bit holder			
3	D930418509	Bits RP18	1		
3_01	D956901050	Anti-seize	1		

---

Refer to Parts Online for the most up to date information. The printed information might be outdated.

Wed Apr 01 20:36:37 MDT 2015

**Milling drums** Fine milling drum C10HD



Refer to Parts Online for the most up to date information. The printed information might be outdated.

Wed Apr 01 20:36:37 MDT 2015

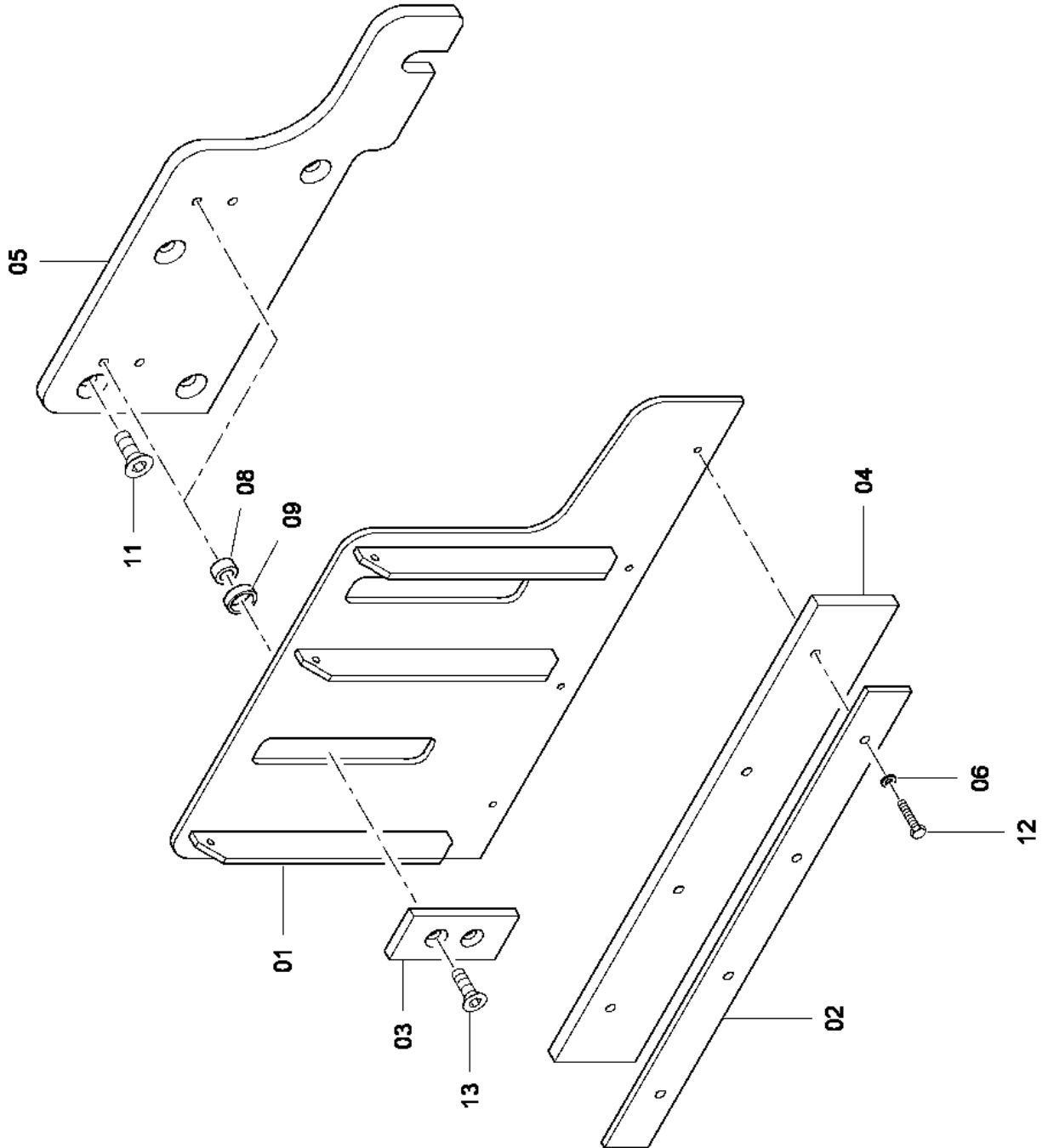
Item	Part No.	Name	Qty	L	SN INFO
1	D501020197	Fine milling drum C10HD	1		
2	D930240600	Bit holder	70		
3	D930418509	Bits RP18	70		
3_01	D956901050	Anti-seize	1		

---

Refer to Parts Online for the most up to date information. The printed information might be outdated.

Wed Apr 01 20:36:37 MDT 2015

Milling unit Plate, front



Refer to Parts Online for the most up to date information. The printed information might be outdated.

Wed Apr 01 20:36:37 MDT 2015

Item	Part No.	Name	Qty	L	SN INFO
1	D501020140	Decal	1		
2	D501020135	Strip	1		
3	D501020136	Fitting plate	2		
4	D501020139	Rubber plate	1		
5	D501020134	Plate	1		
6	0301232100	Washer	4		
8	D312001869	Pipe	4		
9	D312001870	Pipe	4		
11	0216110056	Countersunk screw	4		
12	0147124903	Hex. head screw	4		
13	0216195761	Hex. Sock screw, M8x25, 8.8	4		

Refer to Parts Online for the most up to date information. The printed information might be outdated.

Wed Apr 01 20:36:37 MDT 2015

**Milling unit** Bit tools



Refer to Parts Online for the most up to date information. The printed information might be outdated.

Wed Apr 01 20:36:37 MDT 2015

Item	Part No.	Name	Qty	L	SN INFO
1	4812157172	Bits DA35	1	10	
2	D930418509	Bits RP18	1		
2_01	D956901050	Anti-seize	1		

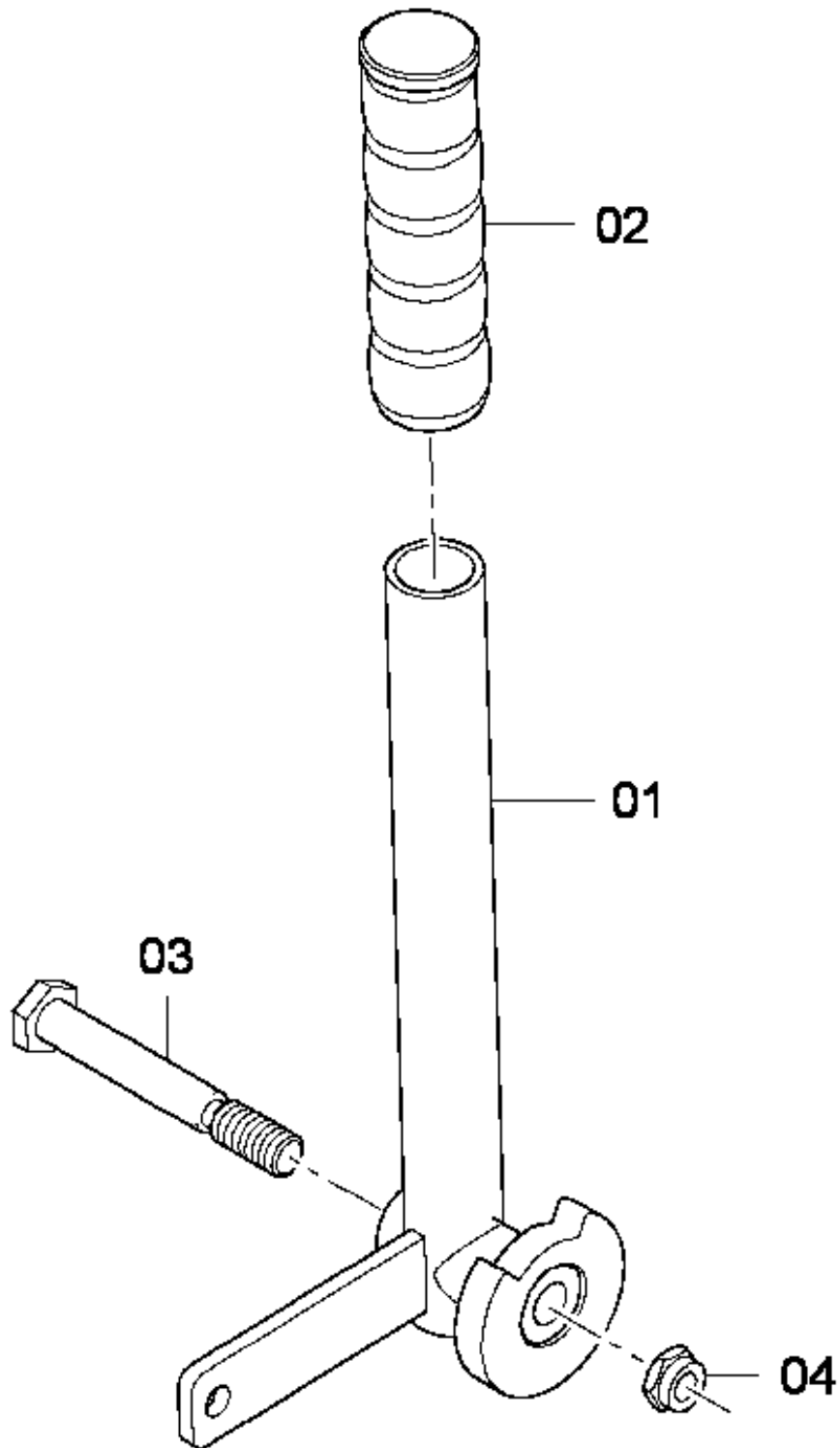
Comments for Page: Bit tools

(L)OCAL REMARKS

10 | en\_US | Box including 50 bits



**Milling unit D501520500 Lever**



Refer to Parts Online for the most up to date information. The printed information might be outdated.

Wed Apr 01 20:36:38 MDT 2015

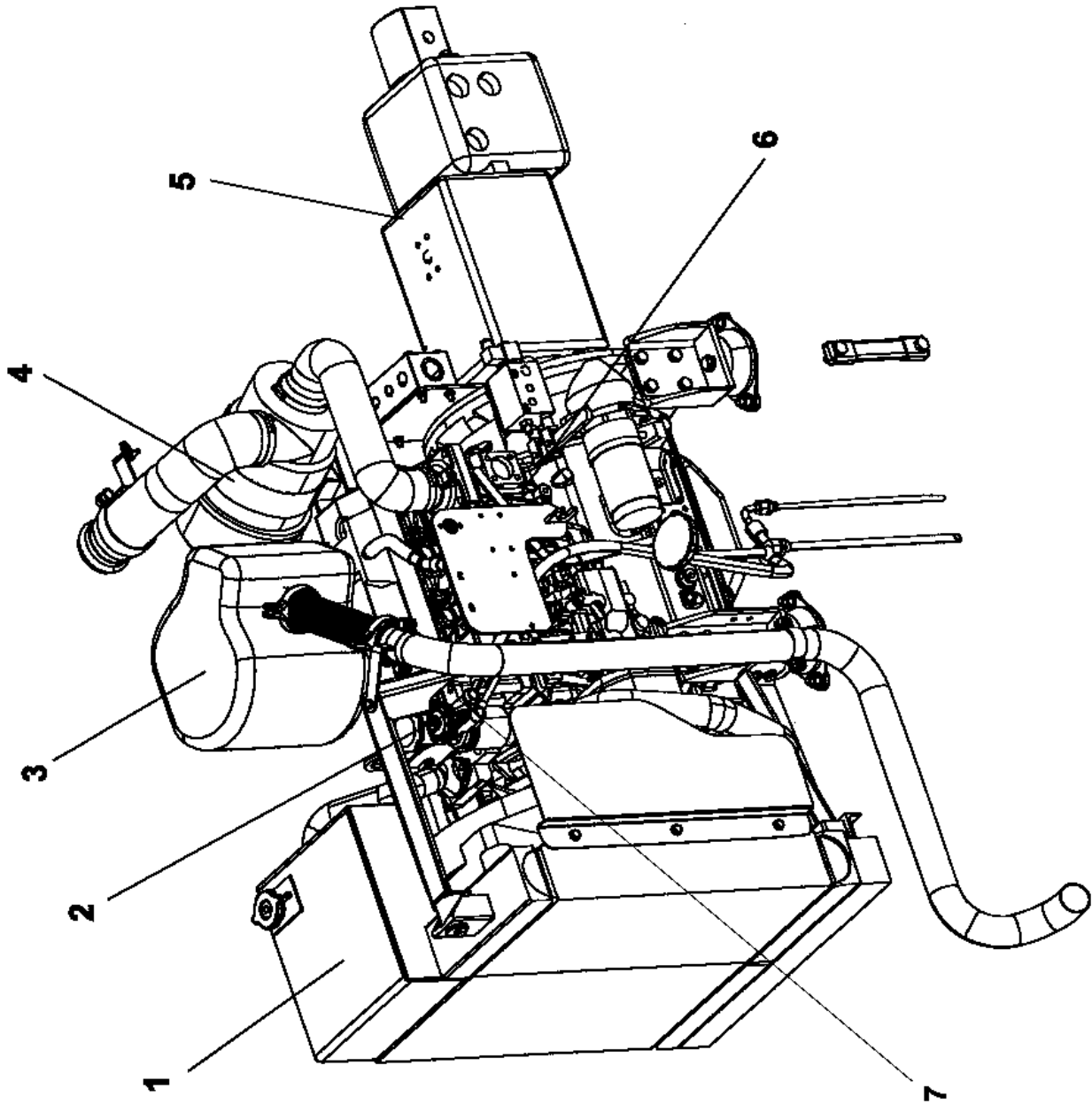
Item	Part No.	Name	Qty	L	SN INFO
1	D501520501	Lever	1		
2	4749302357	Handle	1		
3	D501520506	Screw	1		
4	5541396800	Hexagon nut	1		

---

Refer to Parts Online for the most up to date information. The printed information might be outdated.

Wed Apr 01 20:36:38 MDT 2015

**Engine compl.** Engine compl.



Refer to Parts Online for the most up to date information. The printed information might be outdated.

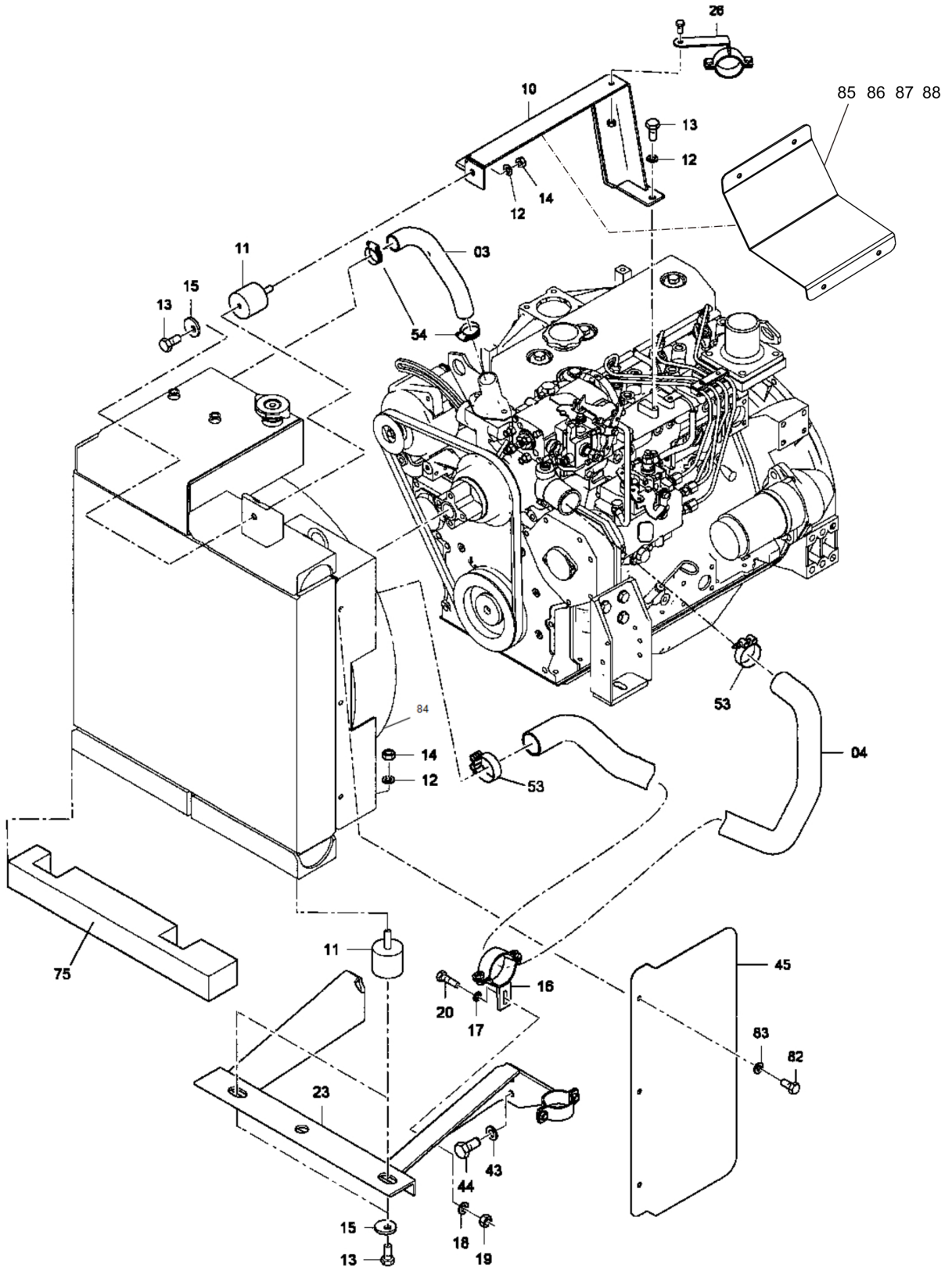
Wed Apr 01 20:36:38 MDT 2015

Item	Part No.	Name	Qty	L	SN INFO
1		Cooler system			
2		Engine assy			
3		Exhaust system			
4		Airfilter system			
5		Propulsion pump			
6		Engine equipment			
7	D977045504	Temperature transmitter	1		

Refer to Parts Online for the most up to date information. The printed information might be outdated.

Wed Apr 01 20:36:38 MDT 2015

Cooler system Cooler system



Refer to Parts Online for the most up to date information. The printed information might be outdated.

Wed Apr 01 20:36:39 MDT 2015

Item	Part No.	Name	Qty	L	SN INFO
Not Shown		Hydraulic components			
3	D501560101	Hose	1		
4	D501560104	Form hose	1		
10	D501560105	Holder	1		
11	D930235527	Rubber buffer	3		
12	0302127405	Flat washer	11		
13	0147136003	Hex. head screw	9		
14	0266211100	Hexagon nut	5		
15	D501160130	Disc	3		
16		Holder, compl.			
17	0301232100	Washer	1		
18	0300013041	Flat washer	1		
19	5530774800	Hexagon nut	1		
20	0147124903	Hex. head screw	1		
23		Carrier assy.			
26		Holder, compl.			
43	0302127405	Flat washer	4		
44	0147136003	Hex. head screw	4		
45	D501510426	Protection	1		
53	D934349115	Clamp	2		
54	4749301758	Clamp	2		
75	4812002252	Insulating material	1		
82	0147132303	Screw DIN933	3		
83	4700904229	Steel plain washer 8.4X16X1.5	3		
84	4812272088	Water oil cooler	1		
85	4812247600	Plate	1		
86	4700904228	Steel plain washer	4		
87	4700508025	Bolt	4		
88	4700570004	Hex. nut	4		

Refer to Parts Online for the most up to date information. The printed information might be outdated.

Wed Apr 01 20:36:39 MDT 2015

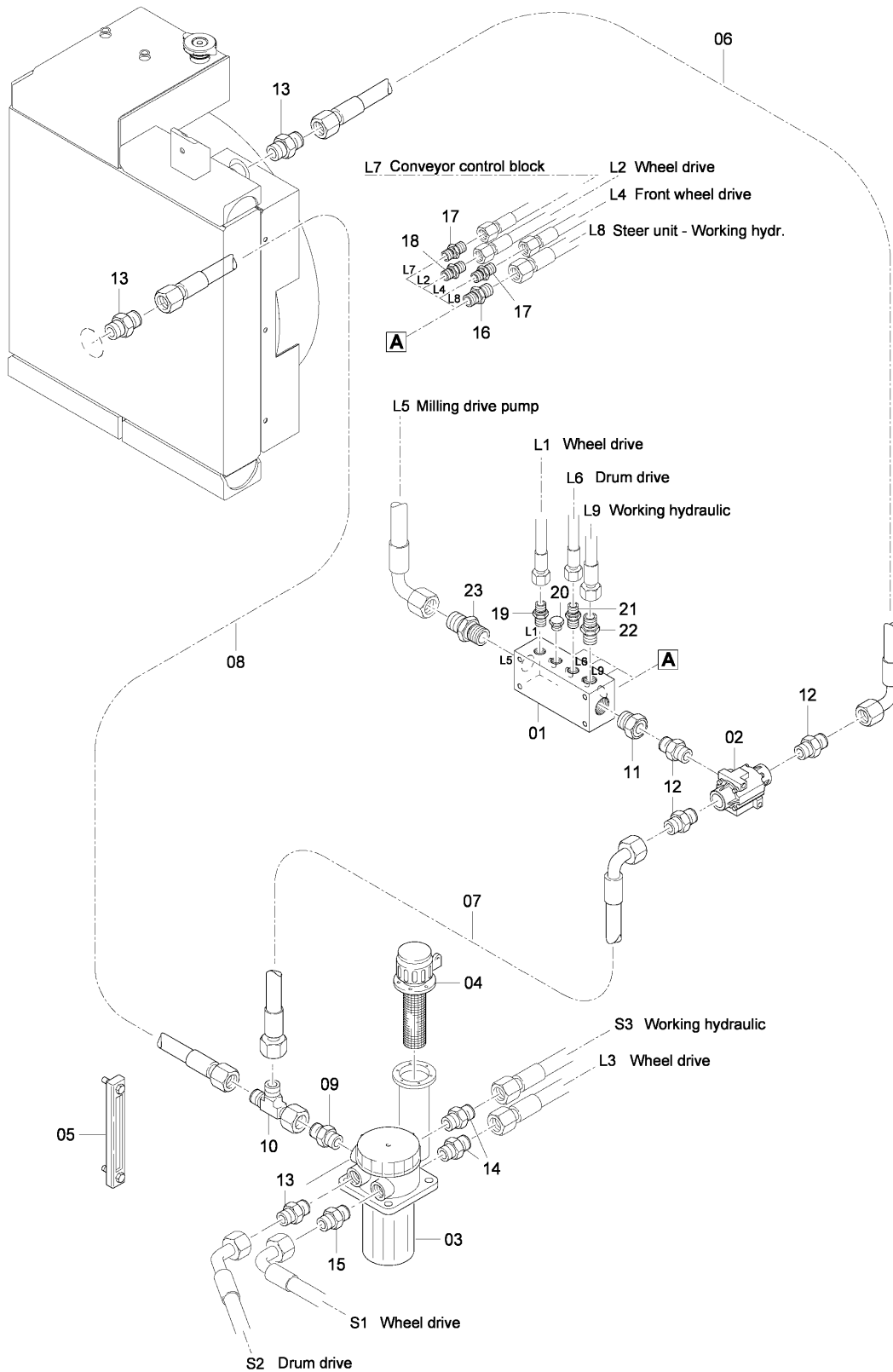
**Hydraulic components** Hydraulic components

**NO DRAWING  
AVAILABLE  
FOR THIS BOM**

Item	Part No.	Name	Qty	L	SN INFO
1		Suction/return line			



**Hydraulic components Suction/return line**



Refer to Parts Online for the most up to date information. The printed information might be outdated.

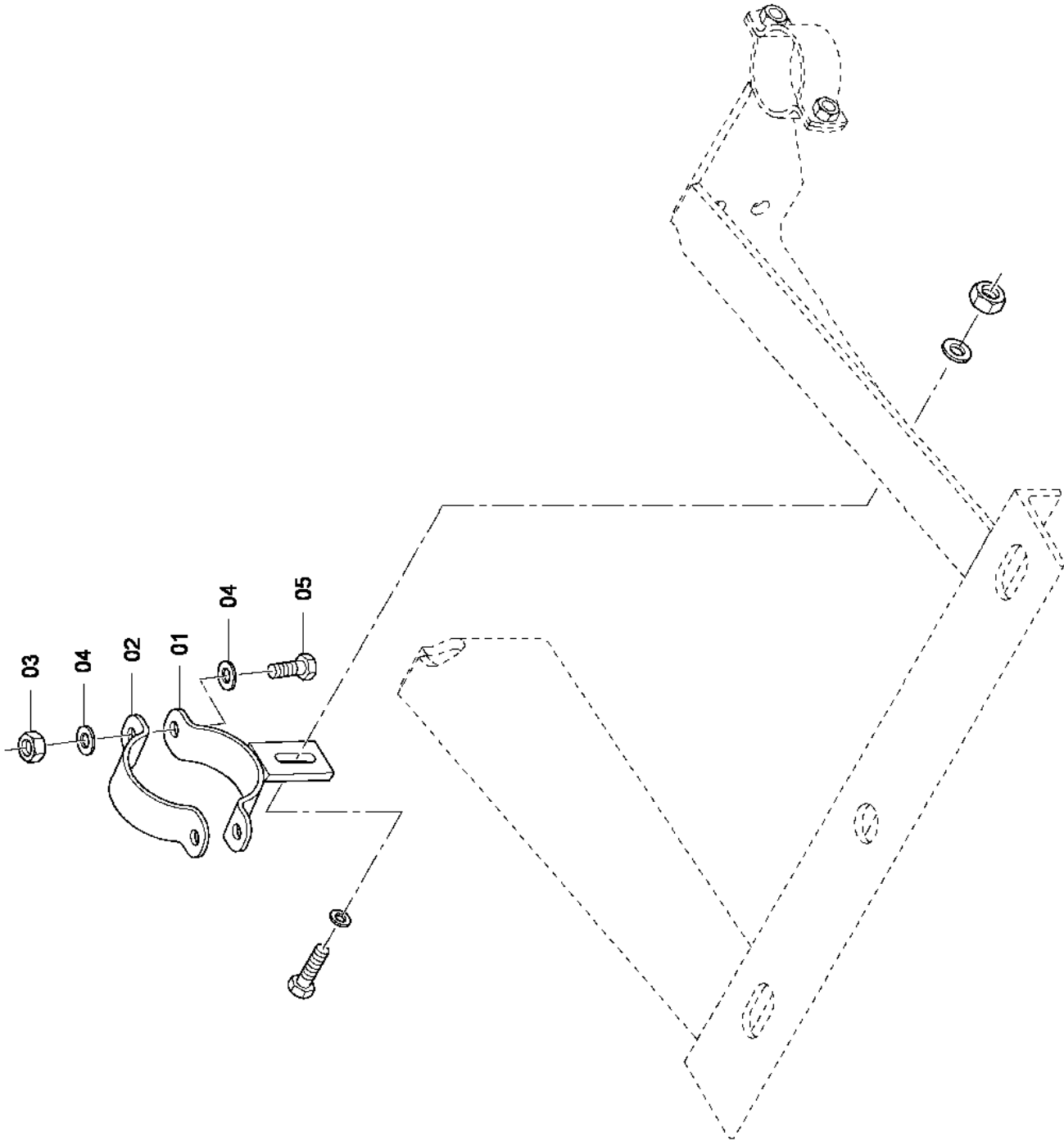
Wed Apr 01 20:36:39 MDT 2015

Item	Part No.	Name	Qty	L	SN INFO
1	D503270179	Manifold	1		
2	D963404710	By-pass valve	1		
3	D964047055	Return/suction filter	1		
3_01	D964350859	Filter element	1		
3_02	D932783671	Repair kit	1		
3_03	D964805451	Low pressure switch	1		
4	D964152341	Filling filter	1		
5	D930211474	Level indicator	1		
6	D960881826	Hose	1		
7	D960882051	Hose	1		
8	D960880526	Hose	1		
9	D961935212	Male connector	1		
10	D961919012	Swivel nut branch tee	1		
11	D961121012	Straight coupling	1		
12	D961935312	Stud	3		
13	D961935112	Male connector	4		
14	D961903011	Straight coupling	2		
15	D961353018	Adapter	1		
16	4749220517	Stud	1		
17	4749220518	Stud	1		
18	4749220509	Stud	1		
19	4749220742	Adapter	1		
20	D961175209	Plug screw	1		
21	D961935228	Straight double-ended union	1		
22	4749220523	Stud	1		
23	D961935161	Straight double-ended union	1		

Refer to Parts Online for the most up to date information. The printed information might be outdated.

Wed Apr 01 20:36:39 MDT 2015

**Cooler system** Holder, compl.



Refer to Parts Online for the most up to date information. The printed information might be outdated.

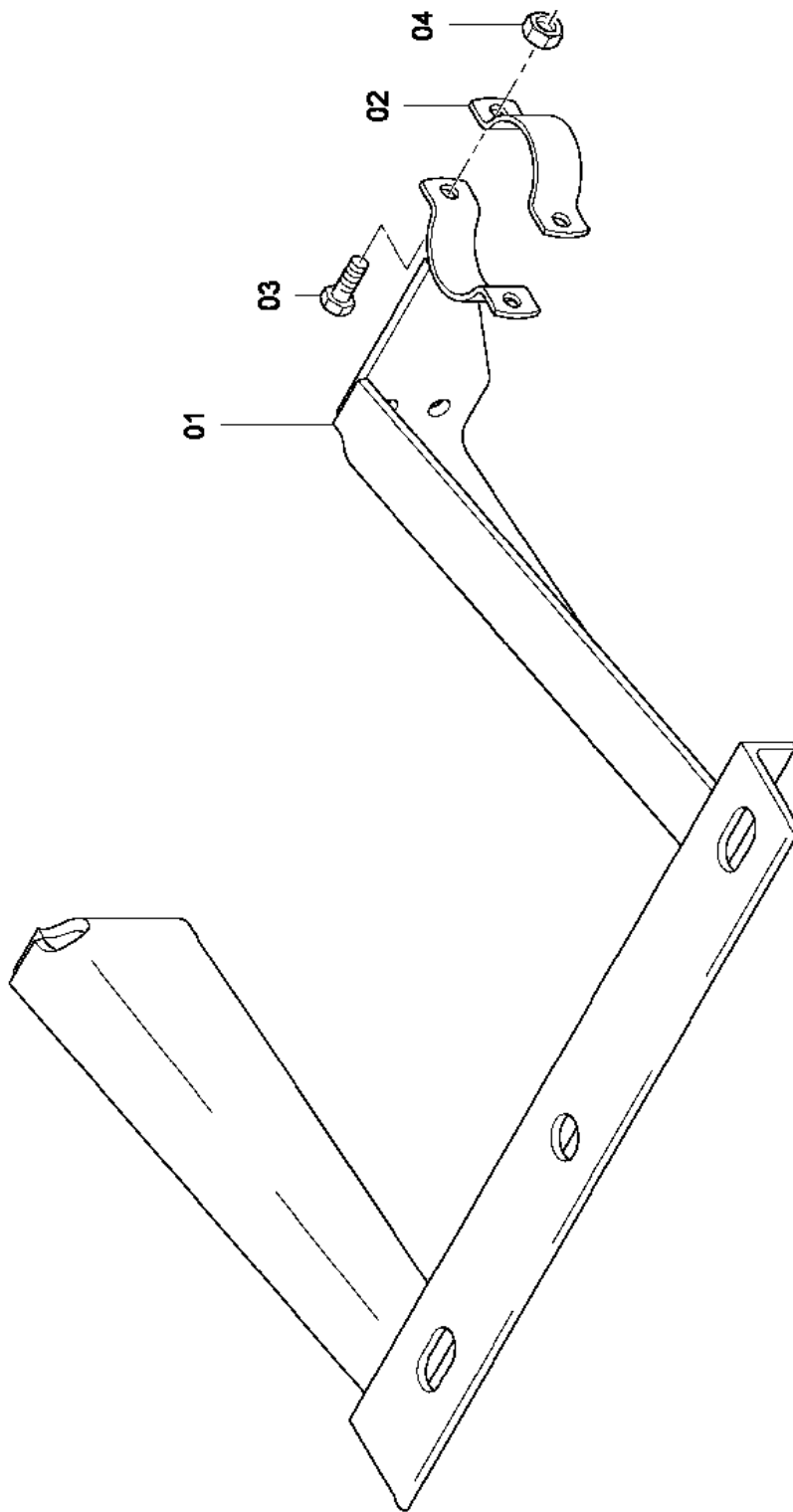
Wed Apr 01 20:36:39 MDT 2015

Item	Part No.	Name	Qty	L	SN INFO
1	D501560111	Holder	1		
2	D934361087	Pipe clip	1		
3	0266211000	Nut din934	2		
4	0301233500	Washer DIN125	4		
5	0147132303	Screw DIN933	2		

Refer to Parts Online for the most up to date information. The printed information might be outdated.

Wed Apr 01 20:36:39 MDT 2015

**Cooler system** Carrier assy.



Refer to Parts Online for the most up to date information. The printed information might be outdated.

Wed Apr 01 20:36:39 MDT 2015

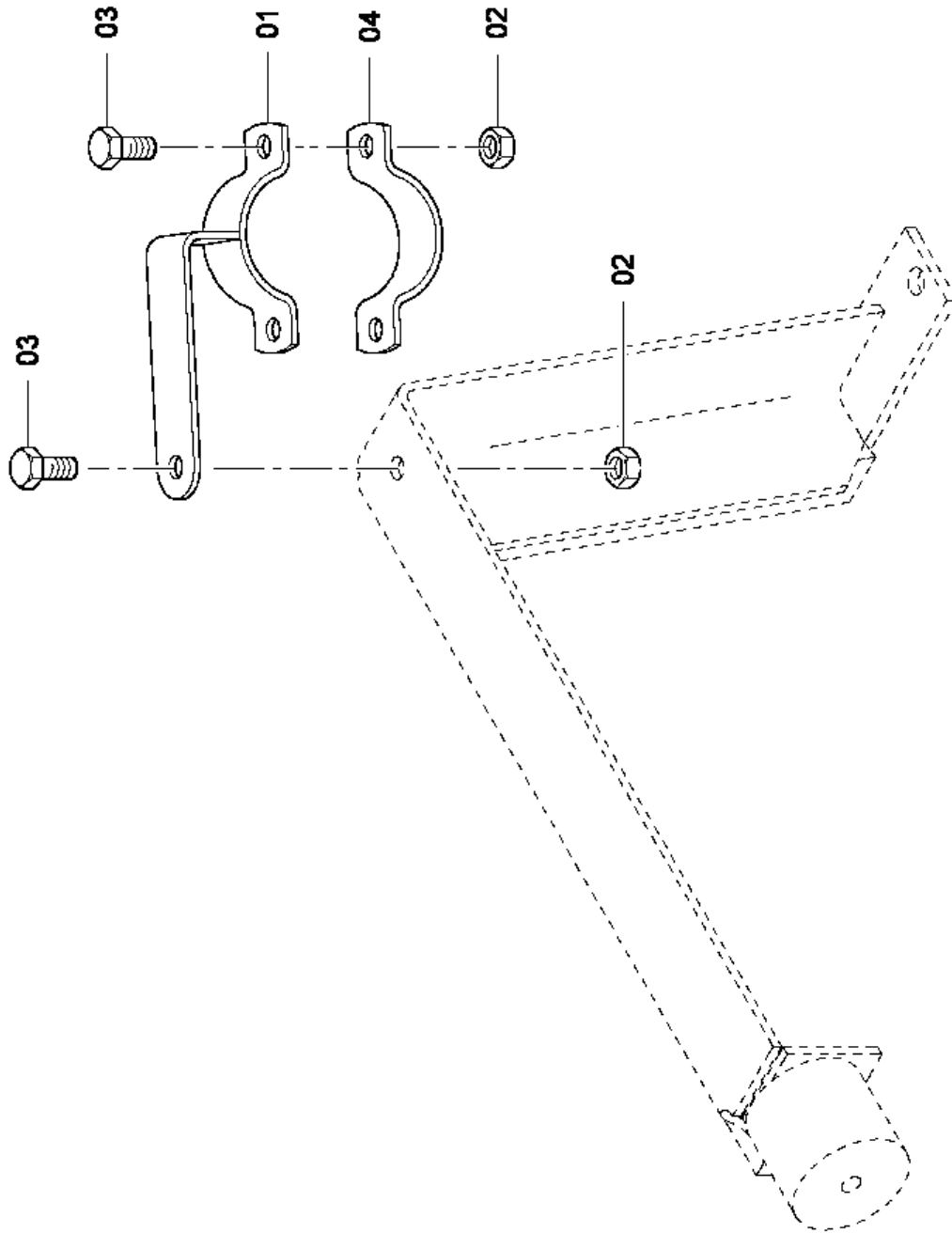
Item	Part No.	Name	Qty	L	SN INFO
1	D501560113	Carrier	1		
2	D934361047	Clip	1		
3	0147132303	Screw DIN933	2		
4	0266211000	Nut din934	2		

---

Refer to Parts Online for the most up to date information. The printed information might be outdated.

Wed Apr 01 20:36:39 MDT 2015

**Cooler system** Holder, compl.



Refer to Parts Online for the most up to date information. The printed information might be outdated.

Wed Apr 01 20:36:39 MDT 2015

Item	Part No.	Name	Qty	L	SN INFO
1	D501560129	Holder	1		
2	0266211000	Nut din934	3		
3	0147132303	Screw DIN933	3		
4	D934361047	Clip	1		

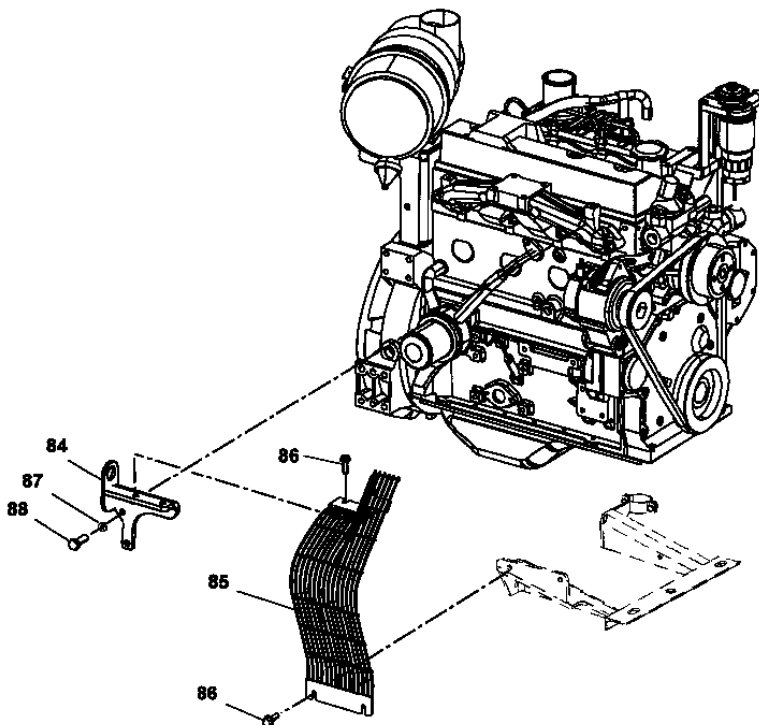
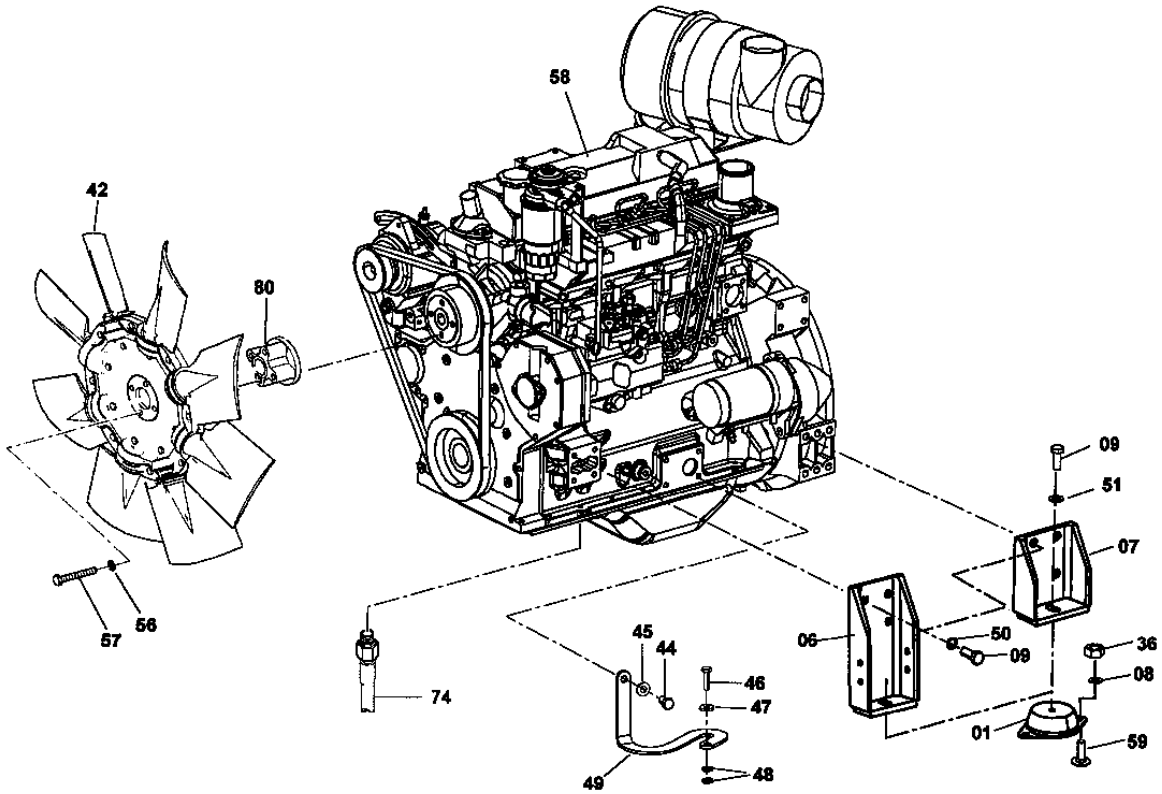
---

Refer to Parts Online for the most up to date information. The printed information might be outdated.

Wed Apr 01 20:36:39 MDT 2015



**Engine assy** Engine assy



Refer to Parts Online for the most up to date information. The printed information might be outdated.

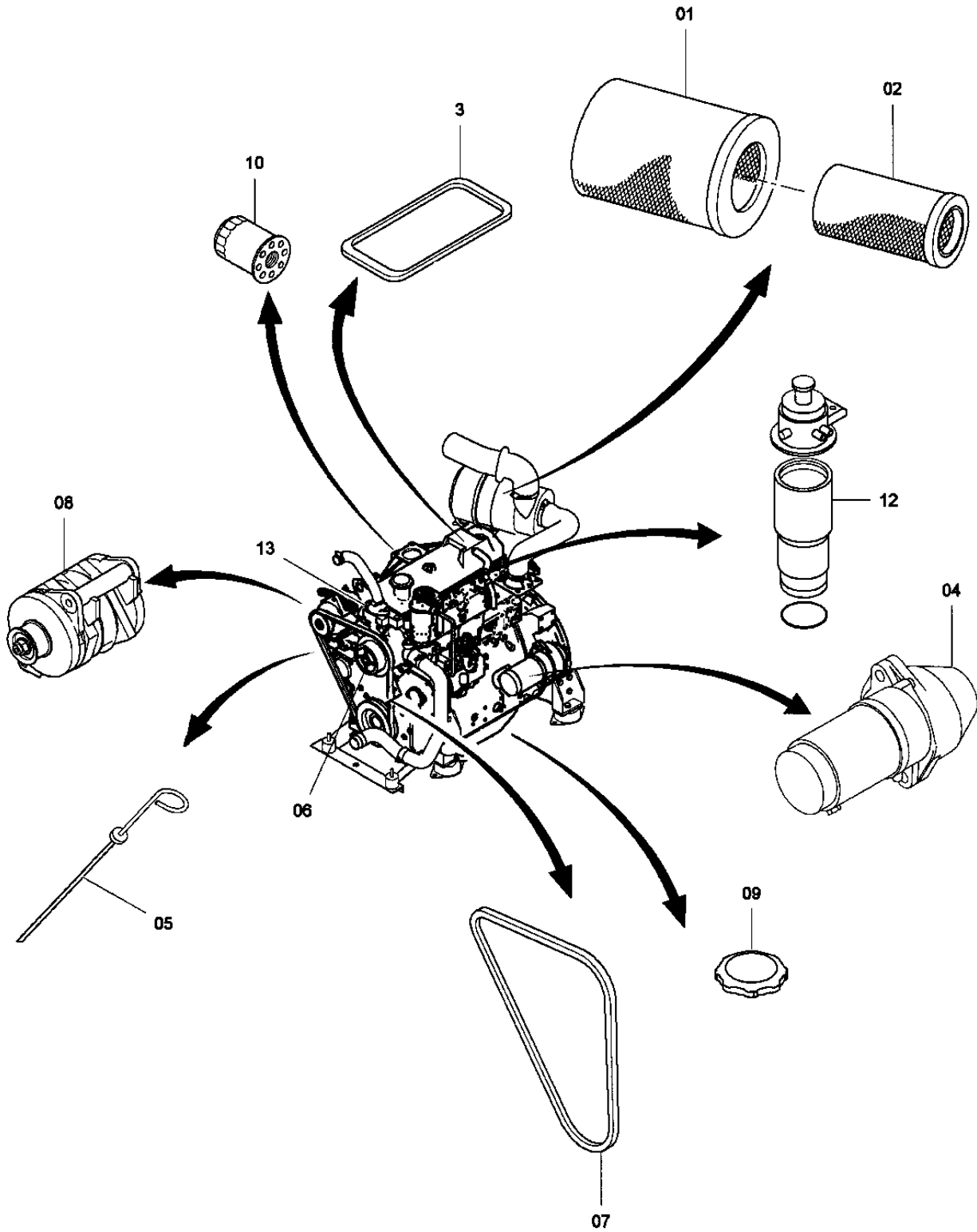
Wed Apr 01 20:36:40 MDT 2015

Item	Part No.	Name	Qty	L	SN INFO
1	D930329151	Machine foot	4		
6	D501160102	Engine holder	2		
7	D501160105	Engine holder	2		
8	0301235800	Washer DIN125	8		
9	0147140103	Screw	20		
36	0266211200	Nut DIN934	8		
42	D950554201	Blower wheel	1		
44	0147136003	Hex. head screw	1		
45	4700286216	Lock washer	1		
46	0147132603	Screw DIN933	1		
47	4700904640	Washer, 8.4x 2x3 mm 300 HV	1		
48	4700904556	Steel plain washer	2		
49	4812158253	Grounding strap	1		
50	4749901808	Washer	16		
51	D939776117	Washer	4		
56	4749901806	Screw retention	4		
57	0147133403	Hex. head screw	4		
58	D966390010	Engine			
59	0226991533	Flat head screw	8		
74		Oil drain			
80	D966534241	Distance piece	1		
84	4812115466	Bracket	1		
85	4812115704	Belt Guard	1		
86	4700902041	Screw, M8 x 25 mm 8.8 A2K	4		
87	4700904557	Washer, 10.5x22x4 mm 300 HV	2		
88	4700947683	Hex. screw M10x030H	2		

Refer to Parts Online for the most up to date information. The printed information might be outdated.

Wed Apr 01 20:36:40 MDT 2015

**Engine assy** D966390010 Engine



Refer to Parts Online for the most up to date information. The printed information might be outdated.

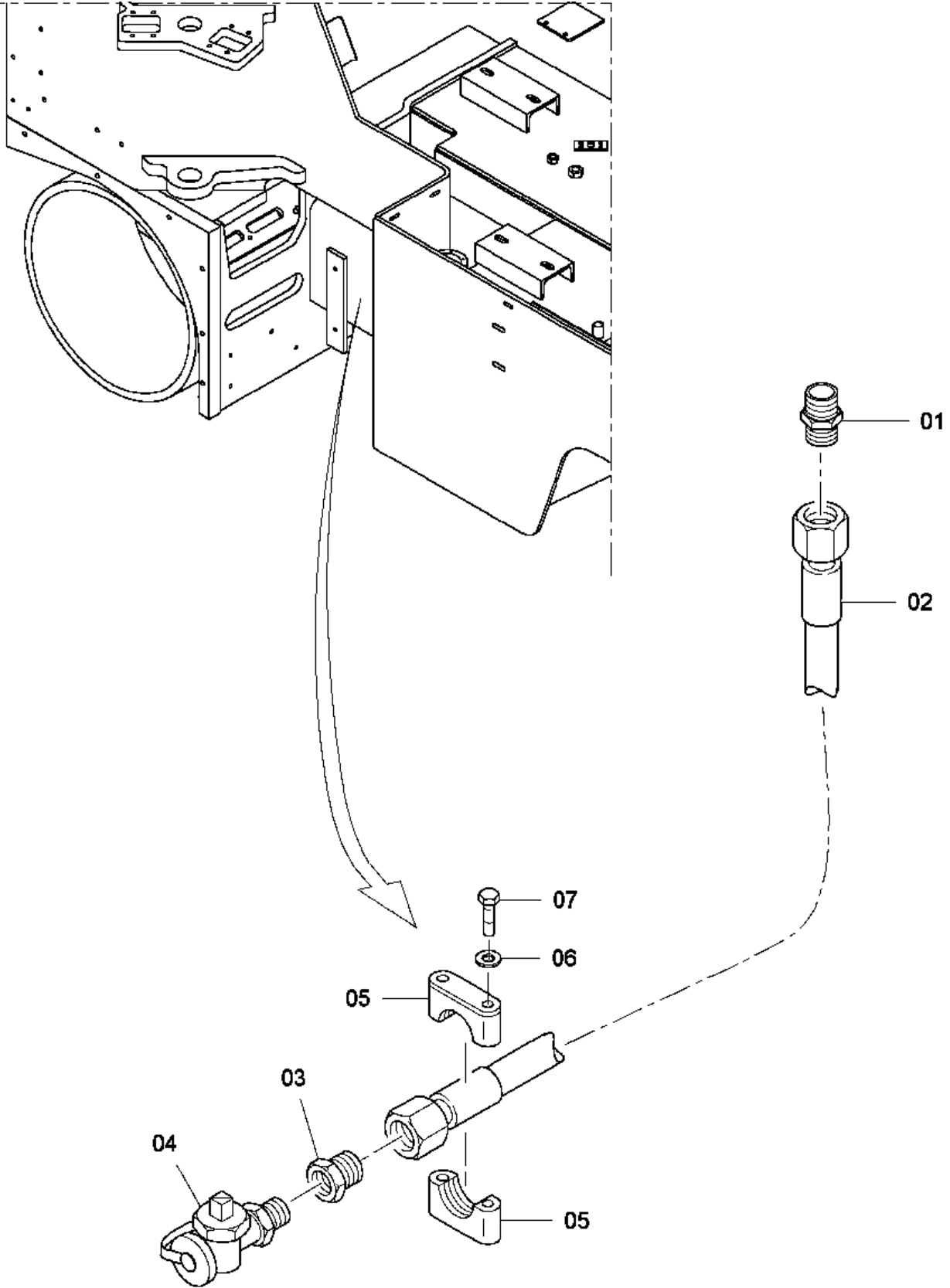
Wed Apr 01 20:36:40 MDT 2015

Item	Part No.	Name	Qty	L	SN INFO
1	D966600185	Air filter, outer element primary	1		
2	D966600184	Air filter, inner element safety	1		
3	D966711101	Gasket, valve cover	1		
4	D966503075	Starter	1		
5	D966630500	Dipstick	1		
6	D966720001	Water pump	1		
6	D967538226	Sealing	1		
7	D966598107	V.belt	1		
8	D966600161	Alternator	1		
9	D966532453	Oil cover	1		
10	D966630430	Cartridge, Lub oil filter	1		
12	D966598318	Fuel filter	1		
13	D966695200	Thermostat	1		
13	D966534100	Sealing washer	1		

Refer to Parts Online for the most up to date information. The printed information might be outdated.

Wed Apr 01 20:36:40 MDT 2015

**Engine assy Oil drain**



Refer to Parts Online for the most up to date information. The printed information might be outdated.

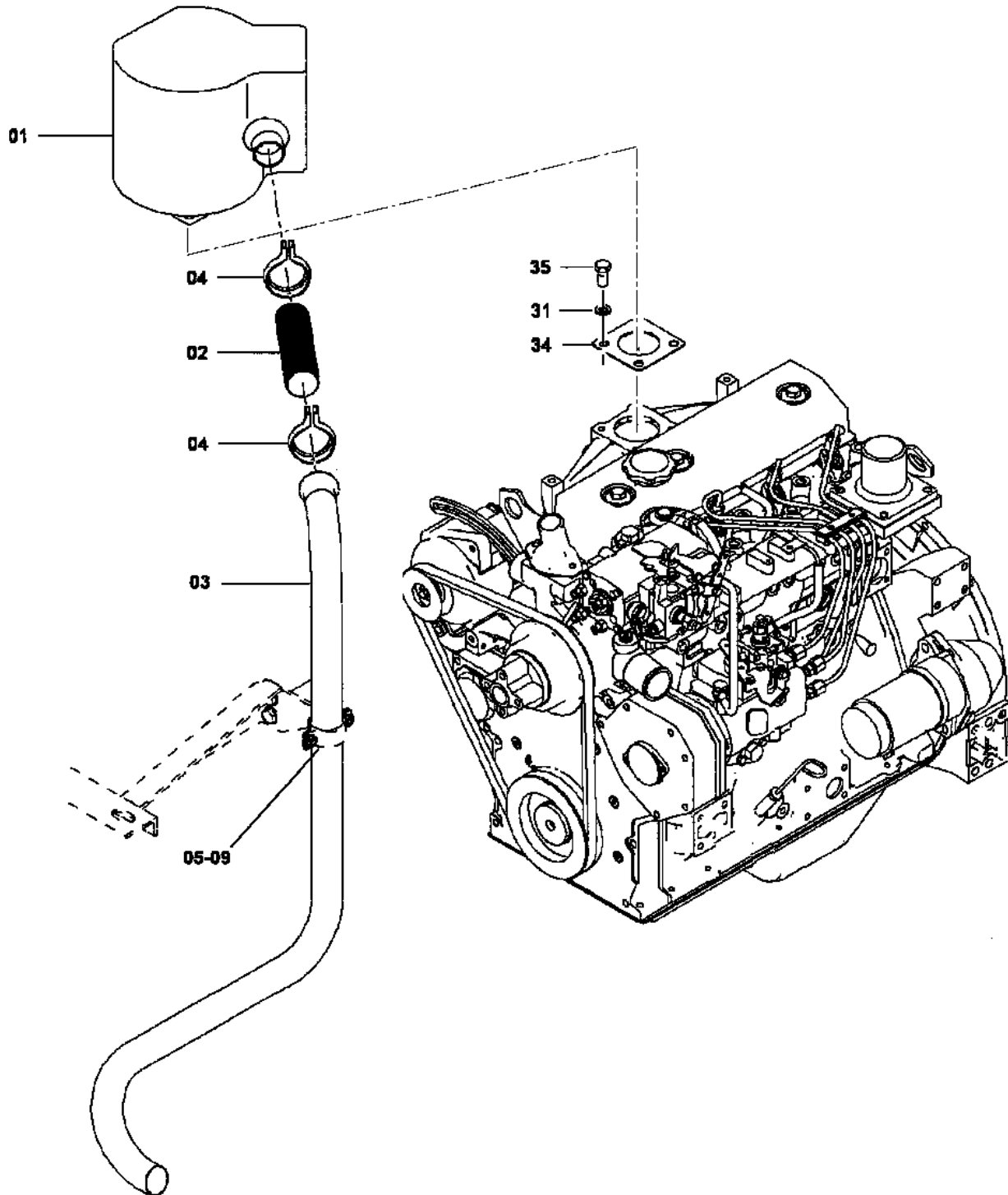
Wed Apr 01 20:36:40 MDT 2015

Item	Part No.	Name	Qty	L	SN INFO
1	4749220523	Stud	1		
2	D960850490	Hose	1		
3	D961131109	Stud	1		
4	D930286510	Bleed valve	1		
5	4749300347	Clamp	2		
6	0301232100	Washer	2		
7	4749900868	Screw	2		

Refer to Parts Online for the most up to date information. The printed information might be outdated.

Wed Apr 01 20:36:40 MDT 2015

**Engine compl. Exhaust system**



Refer to Parts Online for the most up to date information. The printed information might be outdated.

Wed Apr 01 20:36:40 MDT 2015

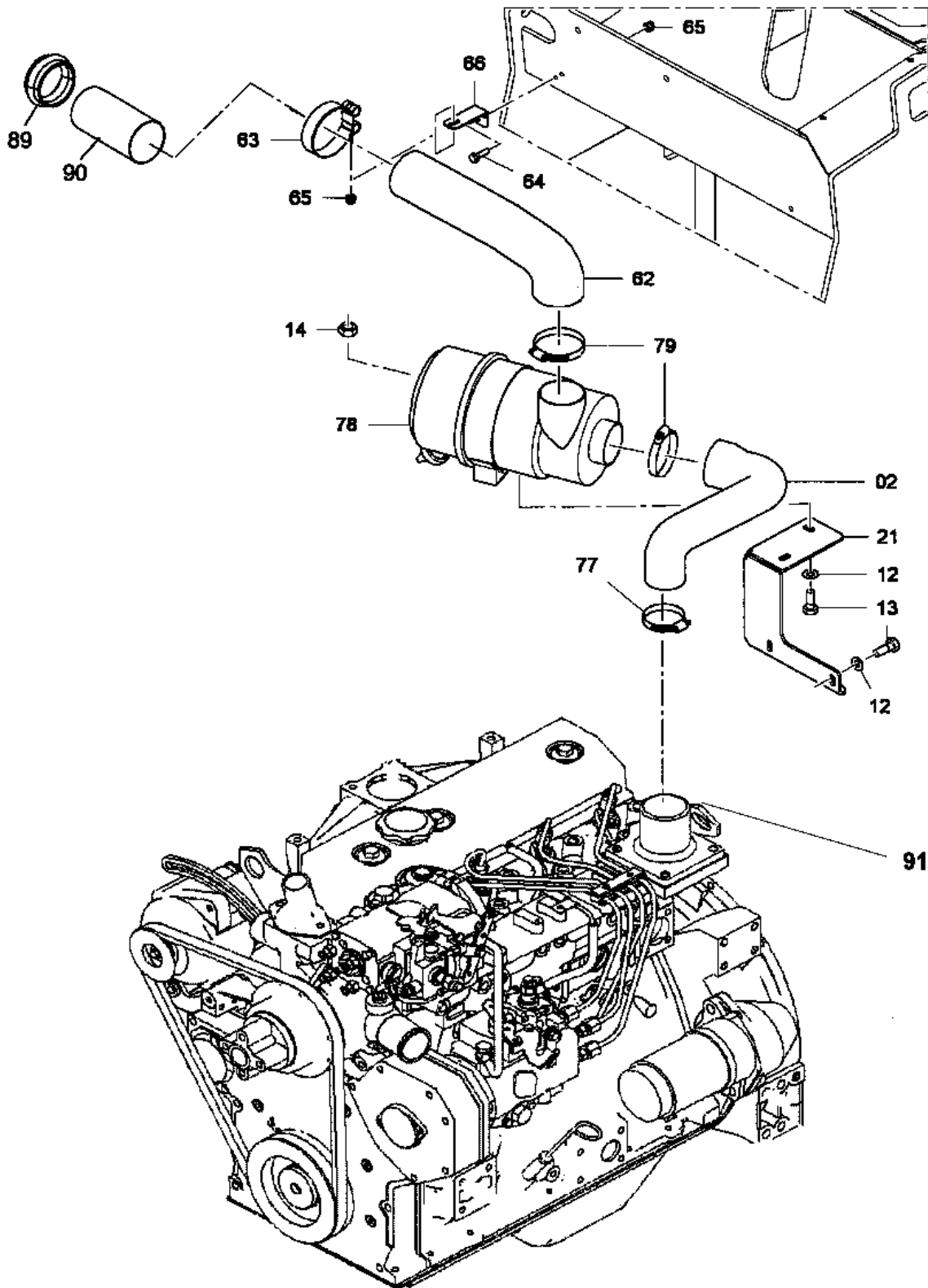
Item	Part No.	Name	Qty	L	SN INFO
1	D501560124	Silencer	1		
2	D501560128	Pipe	1		
3	4812002842	Exhaust pipe	1		
4	D950401225	Clamp	2		
5	D930260013	Isolation x m	1		
6	D930260004	Isolation x m	1		
7	D956990007	Adhedsive strip x m	1		
8	D956990006	Glue	1		
9	D930440001	Protection	12		
31	0301234400	Washer	4		
34	D501160131	Sealing	1		
35	0147136303	Screw	4		

Refer to Parts Online for the most up to date information. The printed information might be outdated.

Wed Apr 01 20:36:40 MDT 2015



**Engine compl.** Airfilter system



Refer to Parts Online for the most up to date information. The printed information might be outdated.

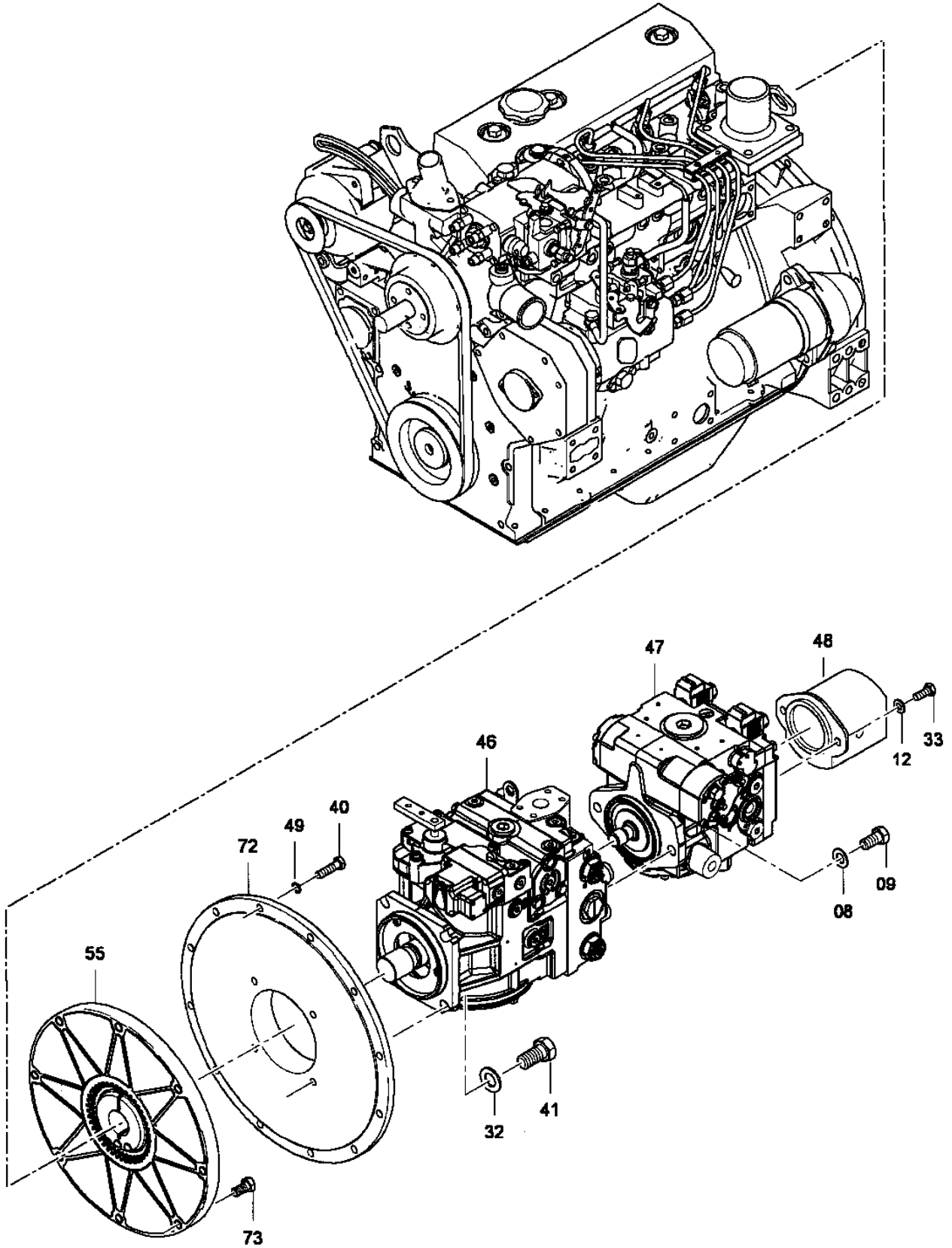
Wed Apr 01 20:36:40 MDT 2015

Item	Part No.	Name	Qty	L	SN INFO
2	D501560102	Hose	1		
12	0302127405	Flat washer	11		
13	0147136003	Hex. head screw	9		
14	0266211100	Hexagon nut	5		
21	D501560119	Support angle	1		
62	4812000572	Form hose	1		
63	D934349100	Hose clamp	1		
64	0147124703	Screw DIN933	2		
65	0291112854	Hexagon nut	3		
66	4812000570	Support angle	1		
77	4700313023	Hose clamp	1		
78	D966600180	Air filter	1		
79	4700313038	Hose clamp	2		
89	4700288129	Rubber edge trim	1	A	
90	4812116756	Pipe	1		
91	D964805451	Low pressure switch	1		
92	4812273033	Indicator	1		
93	4812274280	Insulation	1		

Refer to Parts Online for the most up to date information. The printed information might be outdated.

Wed Apr 01 20:36:40 MDT 2015

**Propulsion pump** Propulsion pump

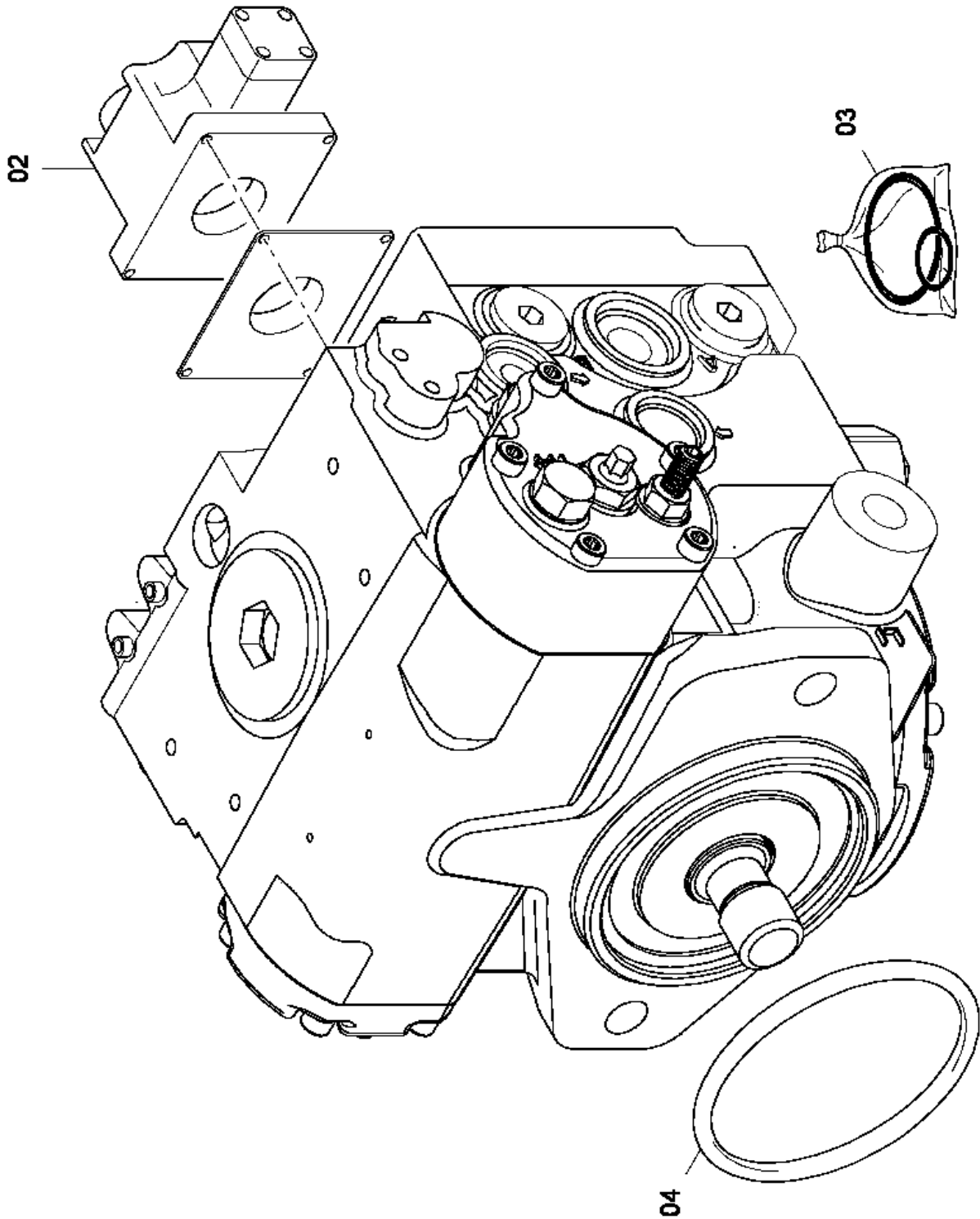


Refer to Parts Online for the most up to date information. The printed information might be outdated.

Wed Apr 01 20:36:41 MDT 2015

Item	Part No.	Name	Qty	L	SN INFO
8	0301235800	Washer DIN125	8		
9	0147140103	Screw	20		
12	0302127405	Flat washer	11		
32	0300027413	Flat washer	4		
33	0147136203	Hex. head screw	4		
40	0147196264	Bolt	12		
41	0147154903	Hexagon head screw	4		
46	D967045901	Pump, drum drive	1		
47	D967045031	Pump, 3 wheel drive	1		
48	D967088022	Hydraulic pump	1		
49	4749901807	Washer	14		
55	D933538091	Clutch	1		
72	D933502106	Pump flange	1		
73	0147132712	Screw DIN933	8		

**Propulsion pump** D967045031 Pump, 3 wheel drive



Refer to Parts Online for the most up to date information. The printed information might be outdated.

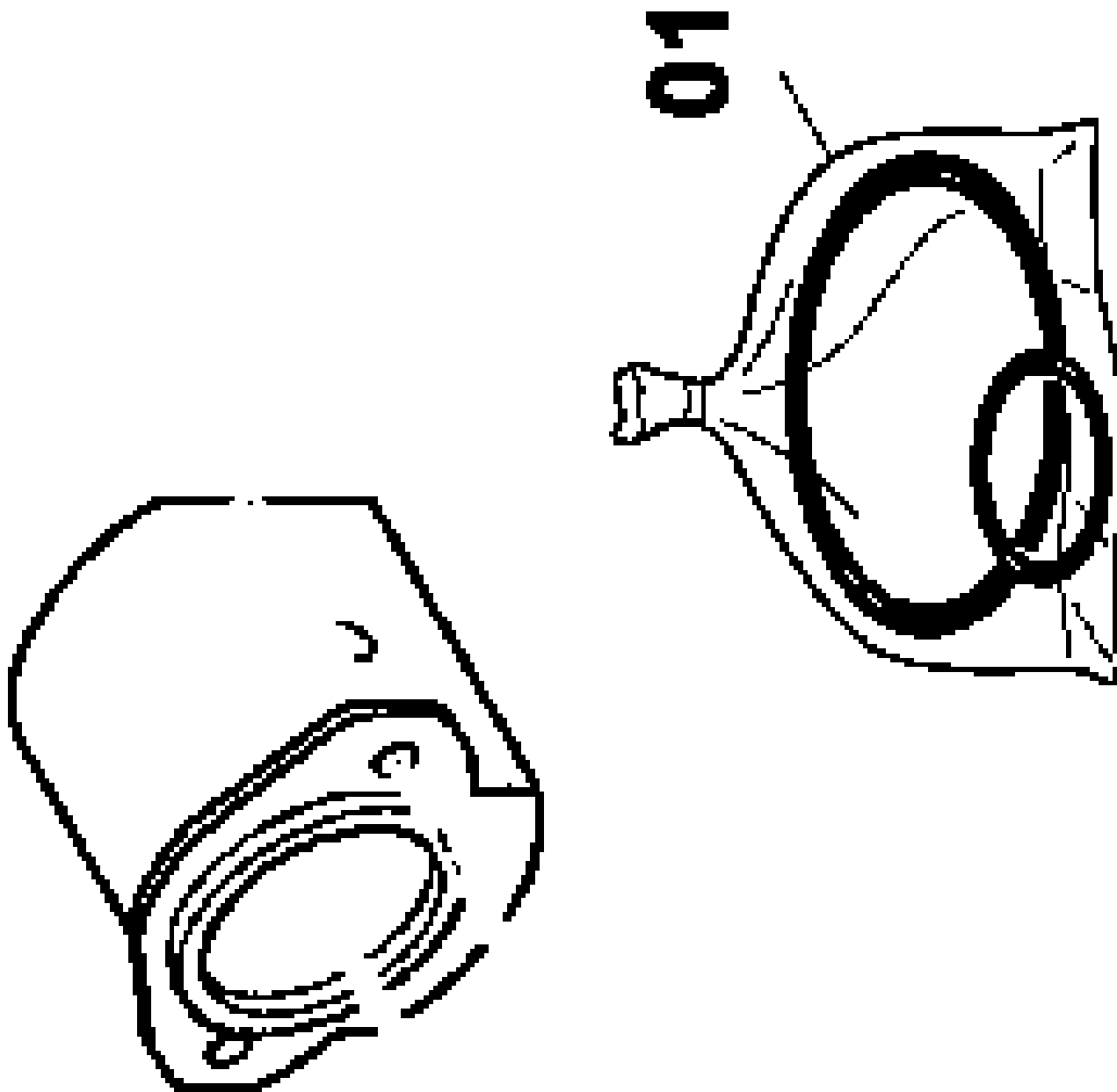
Wed Apr 01 20:36:41 MDT 2015

Item	Part No.	Name	Qty	L	SN INFO
2	D967647002	Control unit	1		
2_01	4812003013	Sealing	1		
3	4700679693	Sealing kit	1		
4	D932411675	O-ring	1		

Refer to Parts Online for the most up to date information. The printed information might be outdated.

Wed Apr 01 20:36:41 MDT 2015

**Propulsion pump** D967088022 Hydraulic pump



Refer to Parts Online for the most up to date information. The printed information might be outdated.

Wed Apr 01 20:36:41 MDT 2015

Item	Part No.	Name	Qty	L	SN INFO
1	4812159075	Seal kit	1		

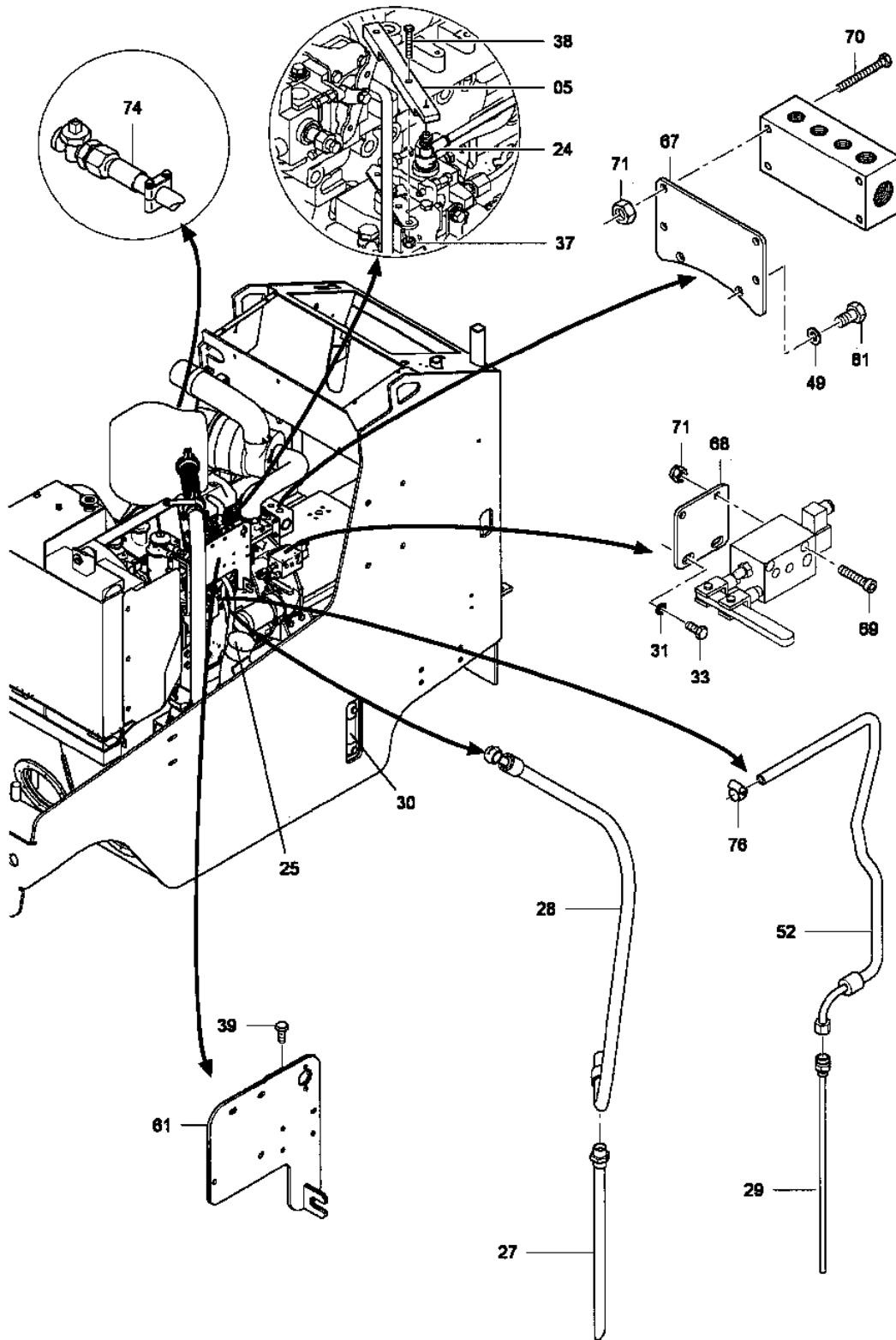
---

Refer to Parts Online for the most up to date information. The printed information might be outdated.

Wed Apr 01 20:36:41 MDT 2015



Engine equipment Engine equipment

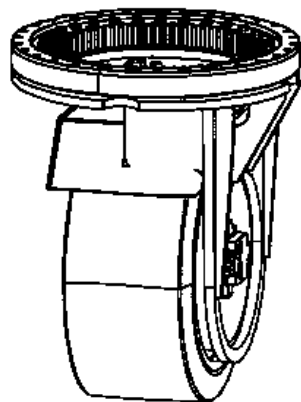
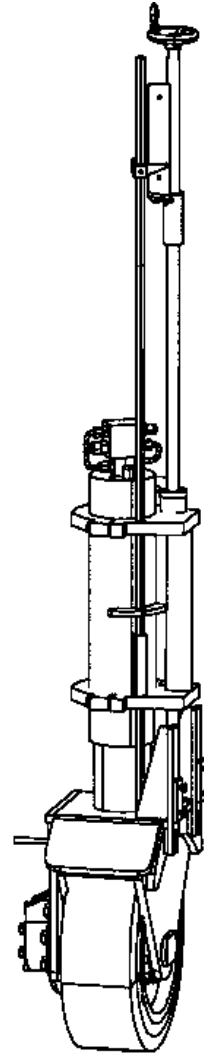
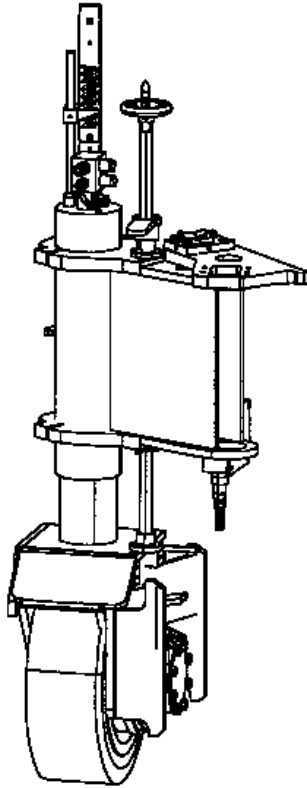


Refer to Parts Online for the most up to date information. The printed information might be outdated.

Wed Apr 01 20:36:41 MDT 2015

Item	Part No.	Name	Qty	L	SN INFO
5	D501160116	Lever	1		
24	D934801210	Universal joint	1		
25	4749300329	Tank Cap	1		
27	D501560125	Suction pipe	1		
28	D930667553	Hose	1		
29	D501060144	Return line pipe	1		
30	D930211476	Fuel indicator	1		
31	0301234400	Washer	4		
33	0147136203	Hex. head screw	4		
37	0266210700	Hexagon nut	2		
38	5730015369	Screw	2		
39	5730015168	Hexagon head screw	2		
49	4749901807	Washer	14		
52	D930667552	Hose	1		
61	D501560135	Holder	1		
67	4812001929	Plate	1		
68	4812001937	Plate	1		
69	0211133303	Hexagon socket head cap screw	2		
70	0147133603	Hex. head screw	4		
71	0291111000	Nut DIN985	6		
74		Oil drain			
76	4749300180	Clamp	1		
81	0147196264	Bolt	2		

**Drive system** Drive system



Refer to Parts Online for the most up to date information. The printed information might be outdated.

Wed Apr 01 20:36:41 MDT 2015

Item	Part No.	Name	Qty	L	SN INFO
Not Shown		Hydraulic components			
Not Shown		Steering and levelling			

---

Refer to Parts Online for the most up to date information. The printed information might be outdated.

Wed Apr 01 20:36:41 MDT 2015

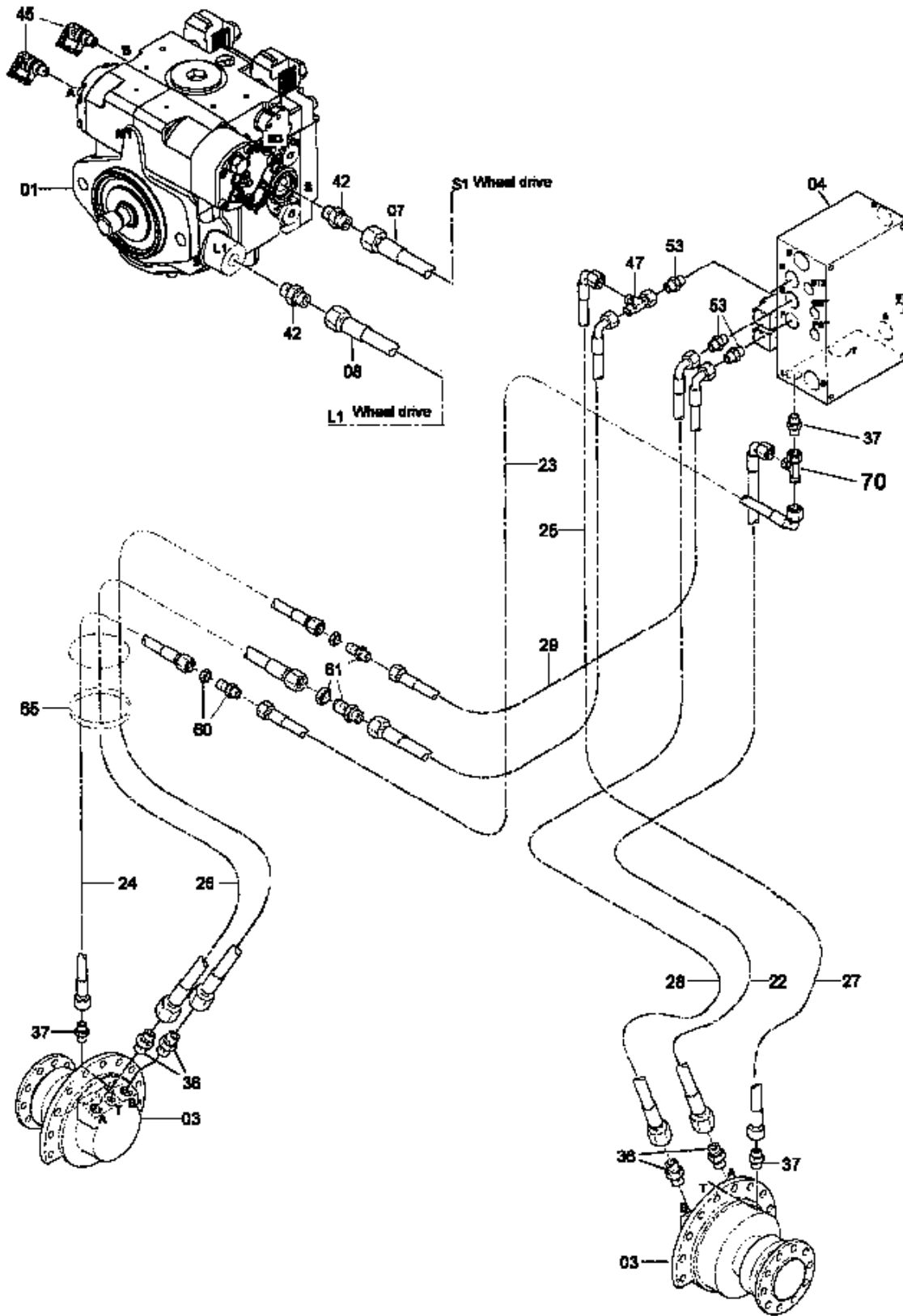
**Hydraulic components** Hydraulic components

Item	Part No.	Name	Qty	L	SN INFO
1		All wheel drive Rear wheel			
2		All wheel drive Front wheel			
3		Cylinder function Rear legs			
4		Steering Front wheel			
5		One wheel drive Hydraulics			

Refer to Parts Online for the most up to date information. The printed information might be outdated.

Wed Apr 01 20:36:41 MDT 2015

All wheel drive Rear wheel All wheel drive Rear wheel



Refer to Parts Online for the most up to date information. The printed information might be outdated.

Wed Apr 01 20:36:42 MDT 2015

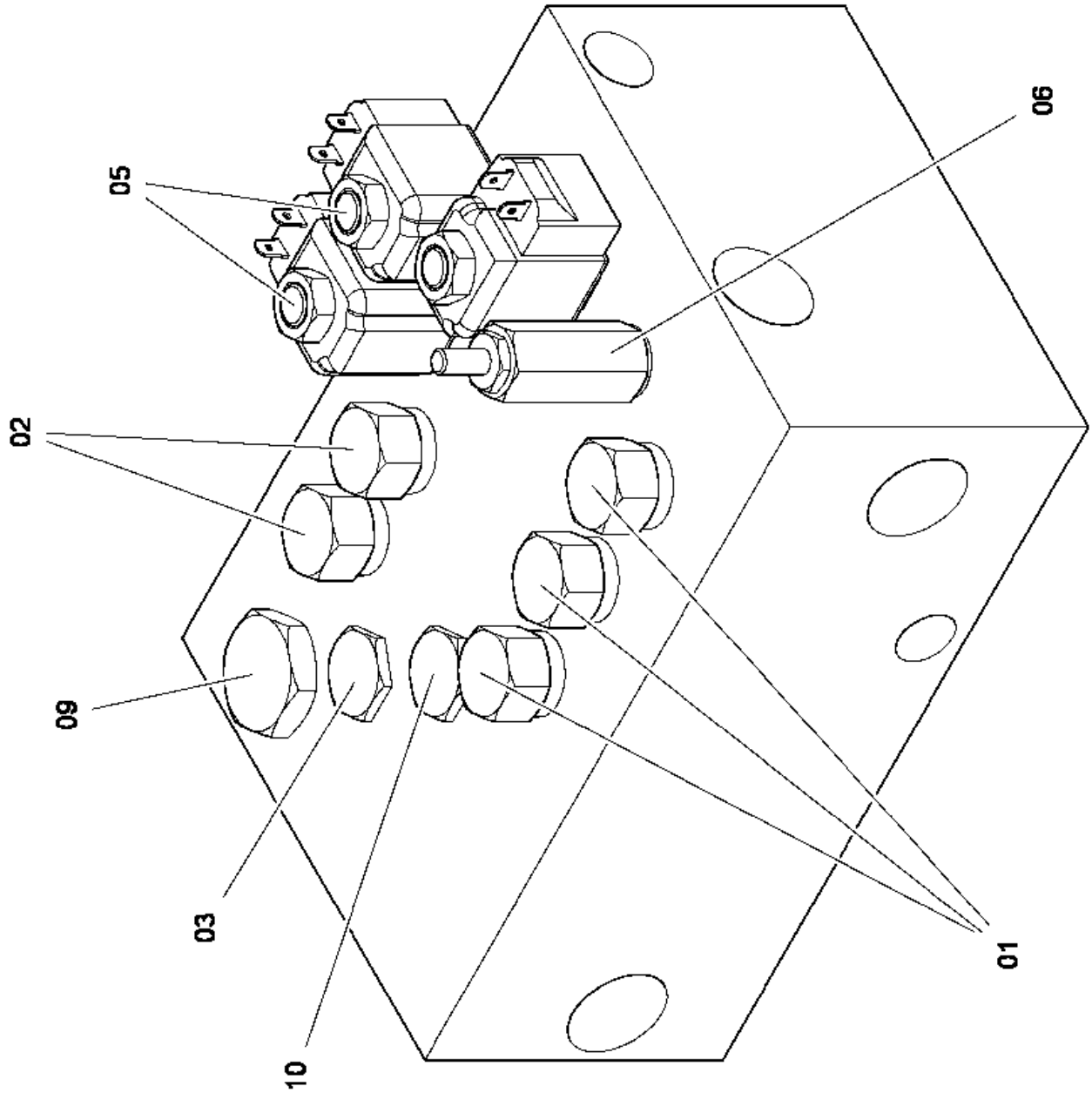
Item	Part No.	Name	Qty	L	SN INFO
1	D967045031	Pump, 3 wheel drive	1		
3	D966085552	Radial piston motor			
4	D963172801	Hydr. block	1		
7	D960873428	Hose	1		
8	D960871533	Hose	1		
22	D960821824	Hose	1		
23	D960820972	Hose	1		
24	4812272091	Hose	1		
25	D960841256	Hose	1		
26	4812272090	Hose	2		
27	D960842401	Hose	1		
28	D960842331	Hose	1		
29	D960841178	Hose	1		
36	D961941086	Male connector	4		
37	D961934103	Male connector	3		
42	D961935311	Straight double-ended union	2		
45	D961772678	Test point	2		
47	D961919008	Swivel nut run tee	1		
53	D961951084	Male connector	3		
60	D961906006	bulk head union	1		
61	D961906008	bulk head union	2		
65	D930664027	Protect hose	5		
70	D961919006	Stud	1		

Refer to Parts Online for the most up to date information. The printed information might be outdated.

Wed Apr 01 20:36:42 MDT 2015



All wheel drive Rear wheel D963172801 Hydr. block



Refer to Parts Online for the most up to date information. The printed information might be outdated.

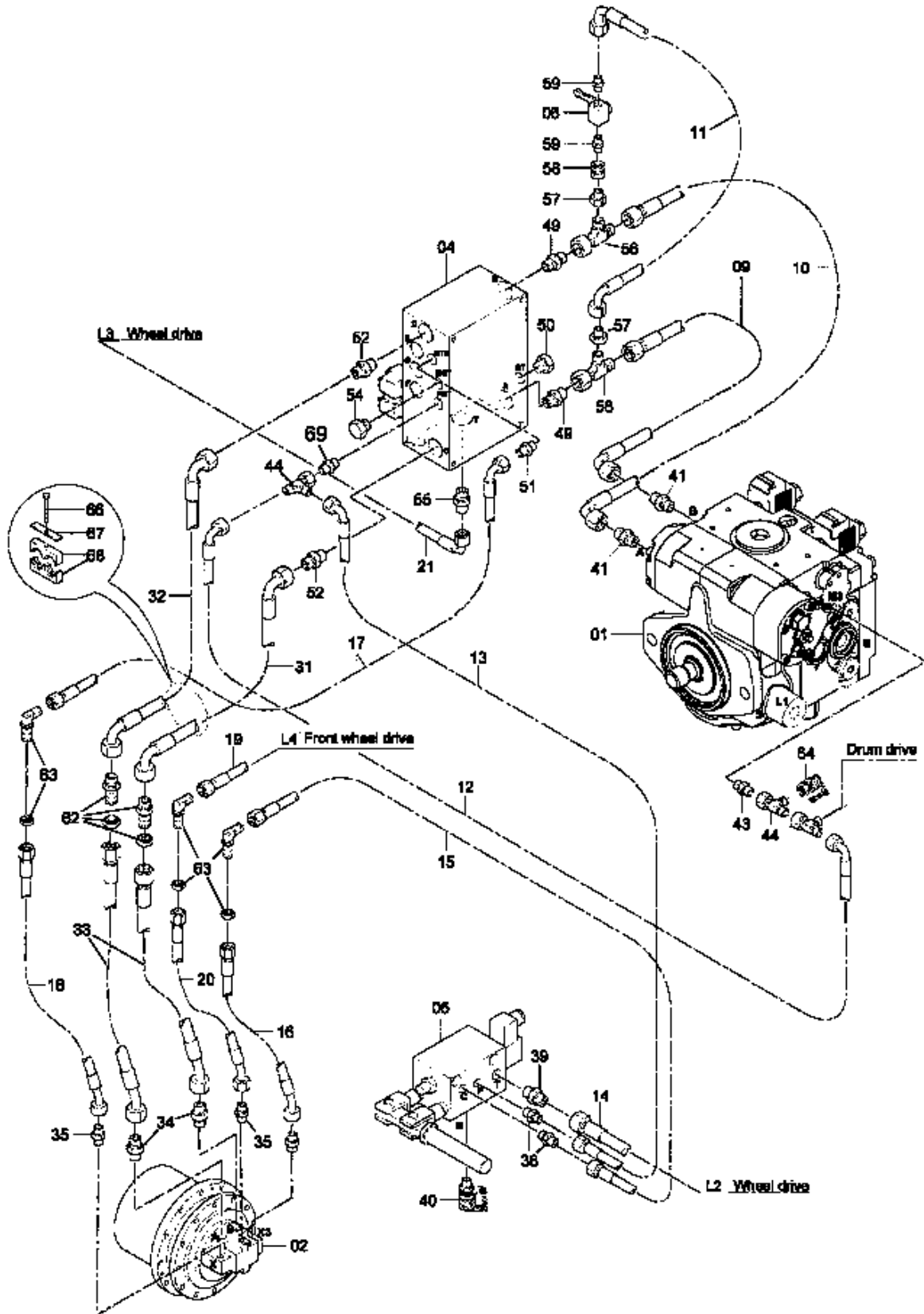
Wed Apr 01 20:36:42 MDT 2015

Item	Part No.	Name	Qty	L	SN INFO
1	4812003543	3/2 way valve	3		
2	4812003544	3/2 way valve	2		
3	4812003545	Flow divider	1		
5	4812003546	3/2 way valve	1		
6	4812003547	Pressure limit valve	1		
9	4812003548	3/2 way valve	1		
10	4812003549	Flow divider	1		

Refer to Parts Online for the most up to date information. The printed information might be outdated.

Wed Apr 01 20:36:42 MDT 2015

All wheel drive Front wheel All wheel drive Front wheel



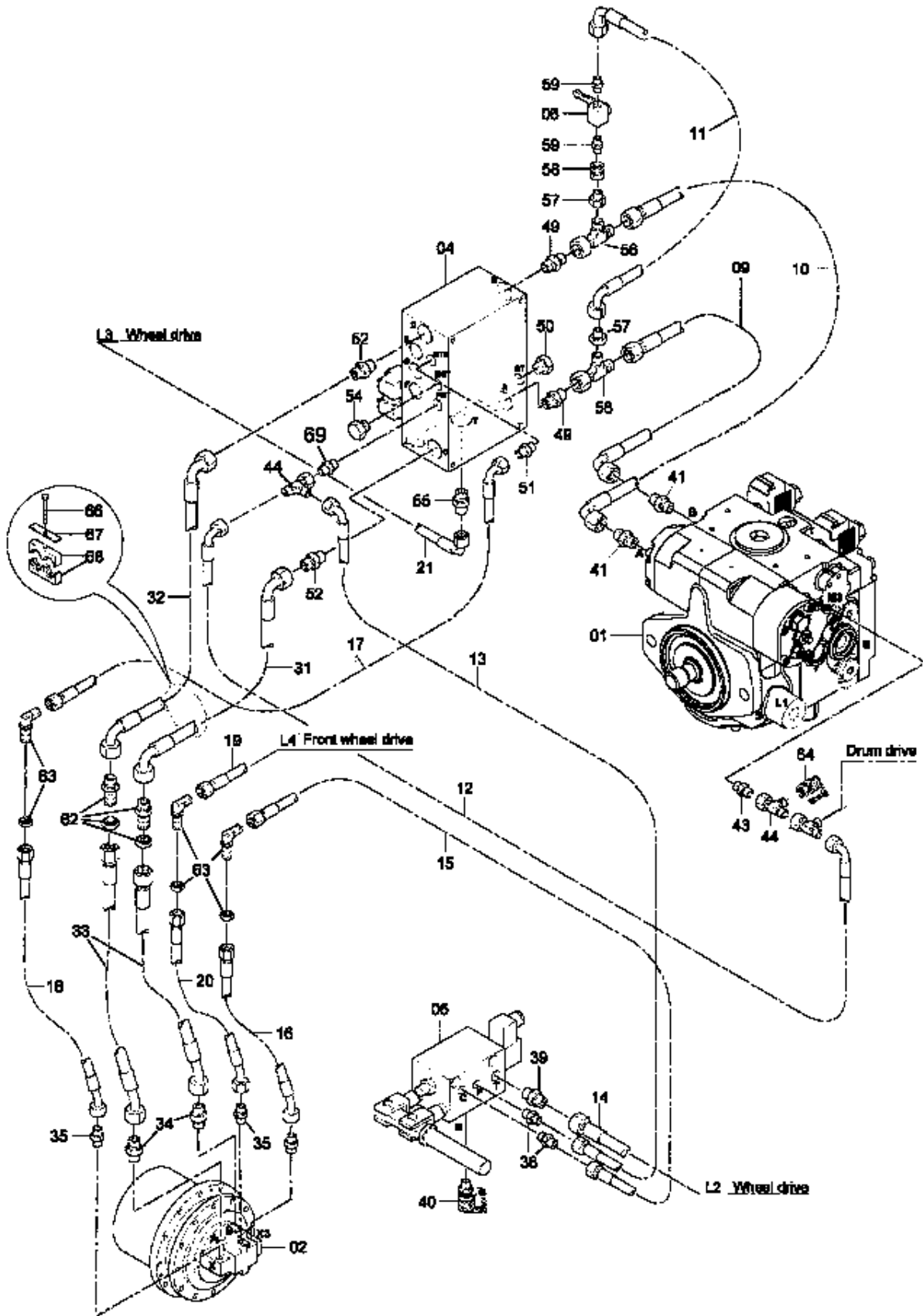
Refer to Parts Online for the most up to date information. The printed information might be outdated.

Wed Apr 01 20:36:43 MDT 2015

Item	Part No.	Name	Qty	L	SN INFO
1	D967045031	Pump, 3 wheel drive	1		
2	D951020927	Gear with motor			
4	D963172801	Hydr. block	1		
5	4812244164	Manual pump brake release	1		
6	D930296631	Ball valve	1		
9	D960861327	Hose	1		
10	4812002080	Hose	1		
11	4812002081	Hose	1		
12	D960831301	Hose	1		
13	4812002082	Hose	1		
14	4812002083	Hose	1		
15	D960833006	Hose	1		
16	D960832005	Hose	1		
17	D960833675	Hose	1		
18	D960832050	Hose assy DN8x1050	1		
19	D960833551	Hose	1		
20	D960831852	Hose	1		
21	D960873327	Hose	1		
31	D960853966	Hose	1		
32	D960854449	Hose	1		
33	D960852202	Hose	2		
34	D961835220	Adapter	2		
35	D961835207	Male connector	3		
38	D961935207	Male connector	1		
39	D961353010	Male connector	1		
40	4812271101	Test point	1		
41	D961935321	Straight double-ended union	2		
43	D961935307	Straight double-ended union	1		
44	D961919007	Swivel nut branch tee	3		
49	D961935121	Straight double-ended union	2		
50	D961175106	Plug screw	1		
51	D961935107	Male connector	1		
52	D961951105	Adapter	2		
54	D961772617	Test connector	1		
55	D961935111	Straight double-ended union	1		

Refer to Parts Online for the most up to date information. The printed information might be outdated.

Wed Apr 01 20:36:43 MDT 2015



Refer to Parts Online for the most up to date information. The printed information might be outdated.

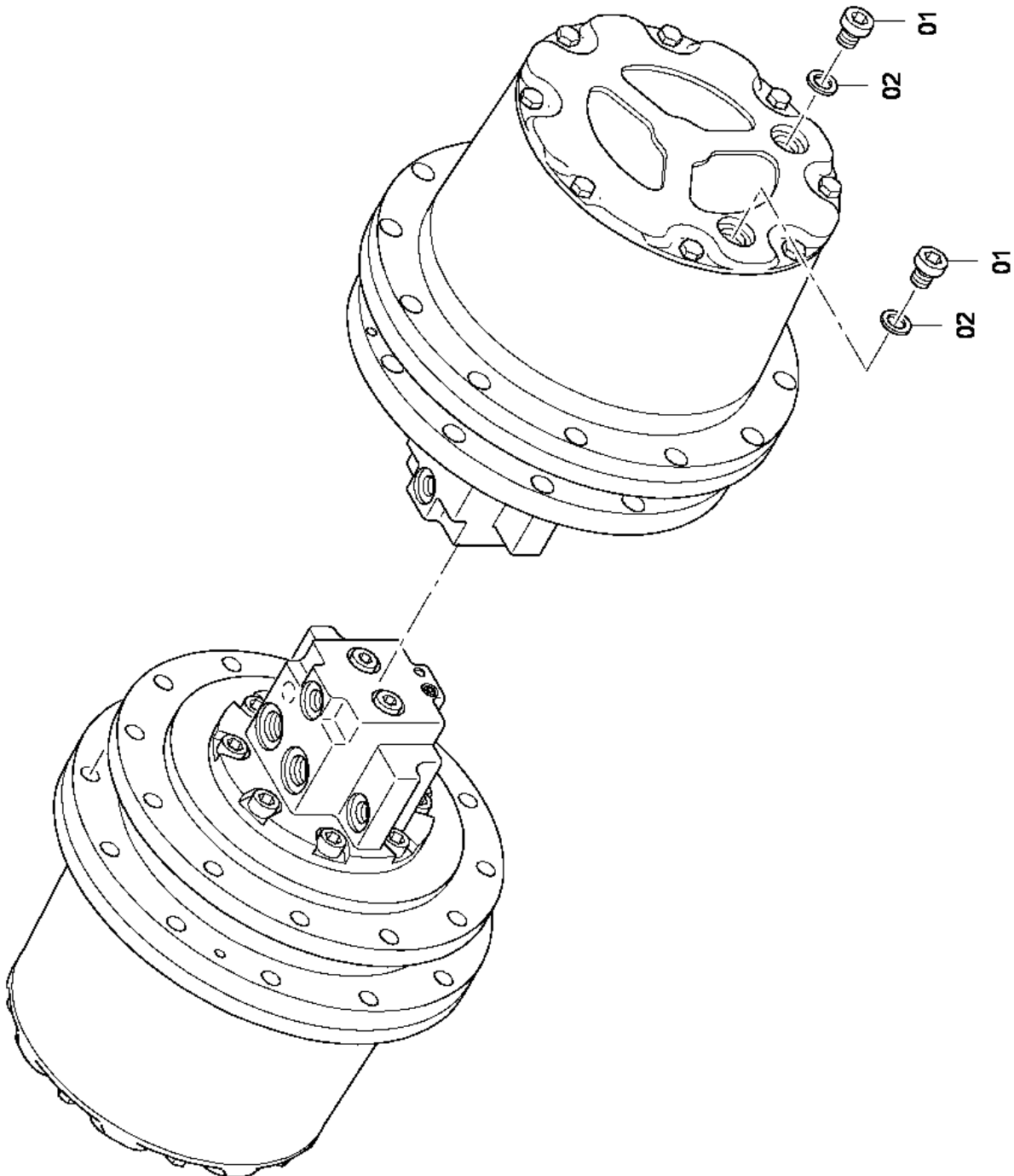
Wed Apr 01 20:36:43 MDT 2015

Item	Part No.	Name	Qty	L	SN INFO
56	D961919021	Swivel nut branch tee	1		
57	D961920661	Reduction union	2		
58	D961121018	Adapter	1		
59	D961935337	Stud	2		
60	D961906006	bulk head union	1		
63	D961907007	Bulkhead union elbow	3		
64	D961772670	Test connector	1		
66	4749300511	Clamp	2		
67	4749300384	Cover plate	2		
68	0147132912	Screw	2		
69	D961941073	Male connector	1		

Refer to Parts Online for the most up to date information. The printed information might be outdated.

Wed Apr 01 20:36:43 MDT 2015

**All wheel drive Front wheel D951020927 Gear with motor**



Refer to Parts Online for the most up to date information. The printed information might be outdated.

Wed Apr 01 20:36:43 MDT 2015

Item	Part No.	Name	Qty	L	SN INFO
1	D937880178	Plug screw	2		
2	D951013422	Sealing washer	2		

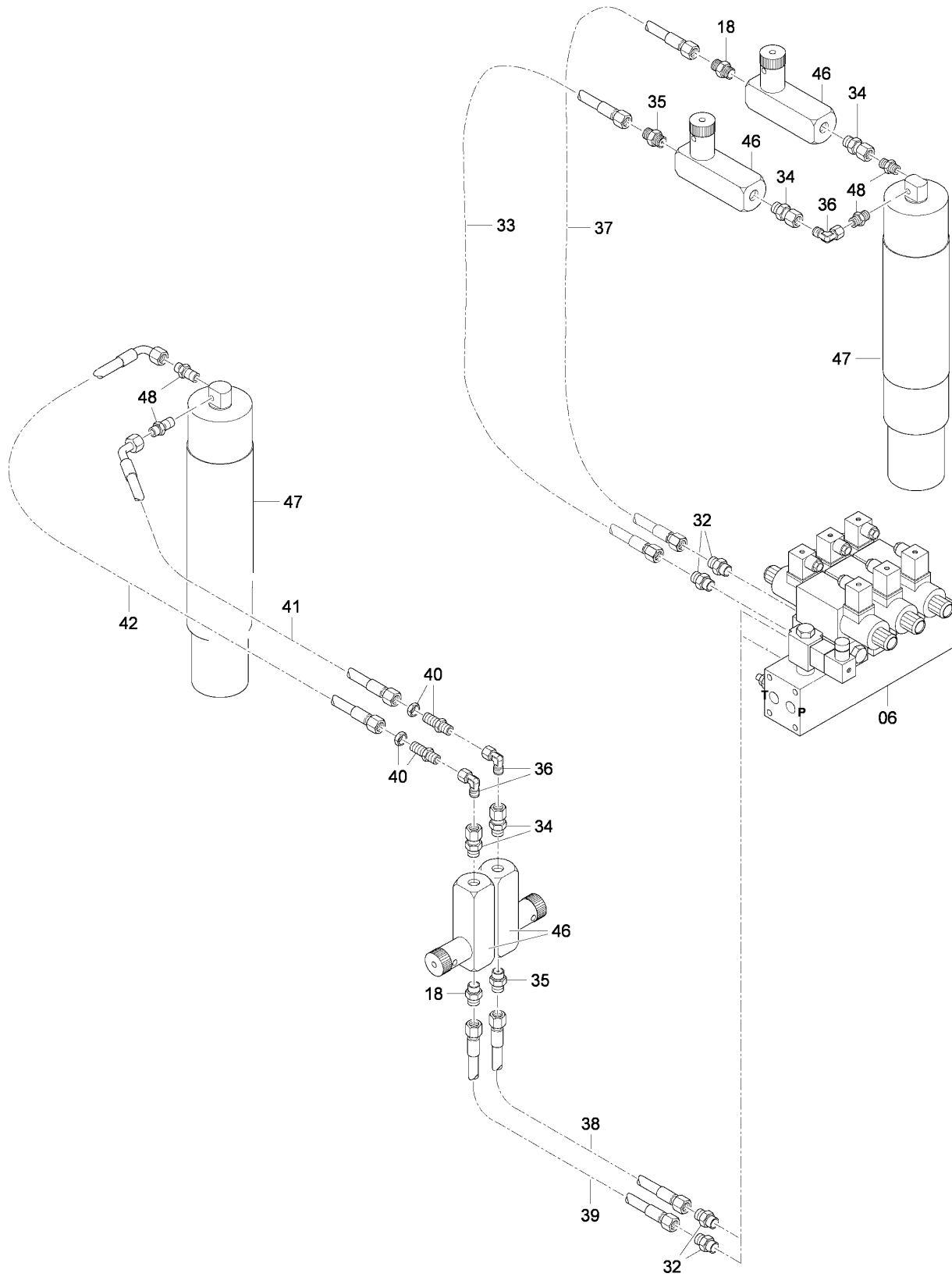
---

Refer to Parts Online for the most up to date information. The printed information might be outdated.

Wed Apr 01 20:36:43 MDT 2015



Cylinder function Rear legs Cylinder function Rear legs



Refer to Parts Online for the most up to date information. The printed information might be outdated.

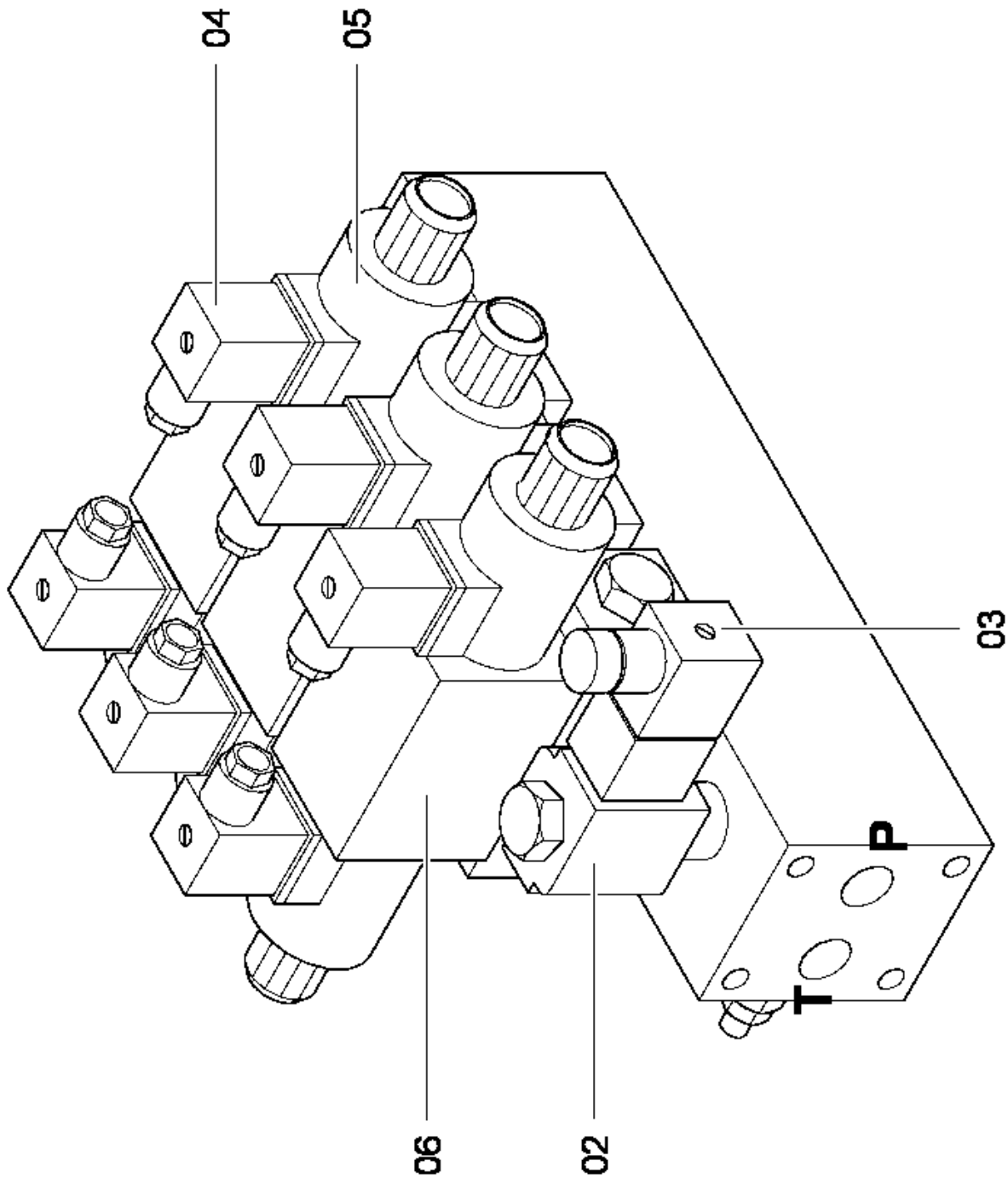
Wed Apr 01 20:36:43 MDT 2015

Item	Part No.	Name	Qty	L	SN INFO
6	D963176081	Steering block	1		
18	D961935106	Straight double-ended union	5		
32	D961935103	Straight double-ended union	4		
33	4812271095	Hose	1		
34	D961154106	Threaded socket	4		
35	D990093005	Orifice	2		
36	4749220479	Stud	3		
37	D960822705	Hose	1		
38	4812271096	Hose	1		
39	4812271097	Hose	1		
40	D961358220	Swivel bulkhead coupling	2		
41	4812271098	Hose	1		
42	4812271099	Hose	1		
46	D963076600	Non return valve	4		
47	D965172912	Chassis leg			
47_01	D965531583	Seal kit	1		
48	4749220504	Stud	4		

Refer to Parts Online for the most up to date information. The printed information might be outdated.

Wed Apr 01 20:36:43 MDT 2015

Cylinder function Rear legs D963176081 Steering block



Refer to Parts Online for the most up to date information. The printed information might be outdated.

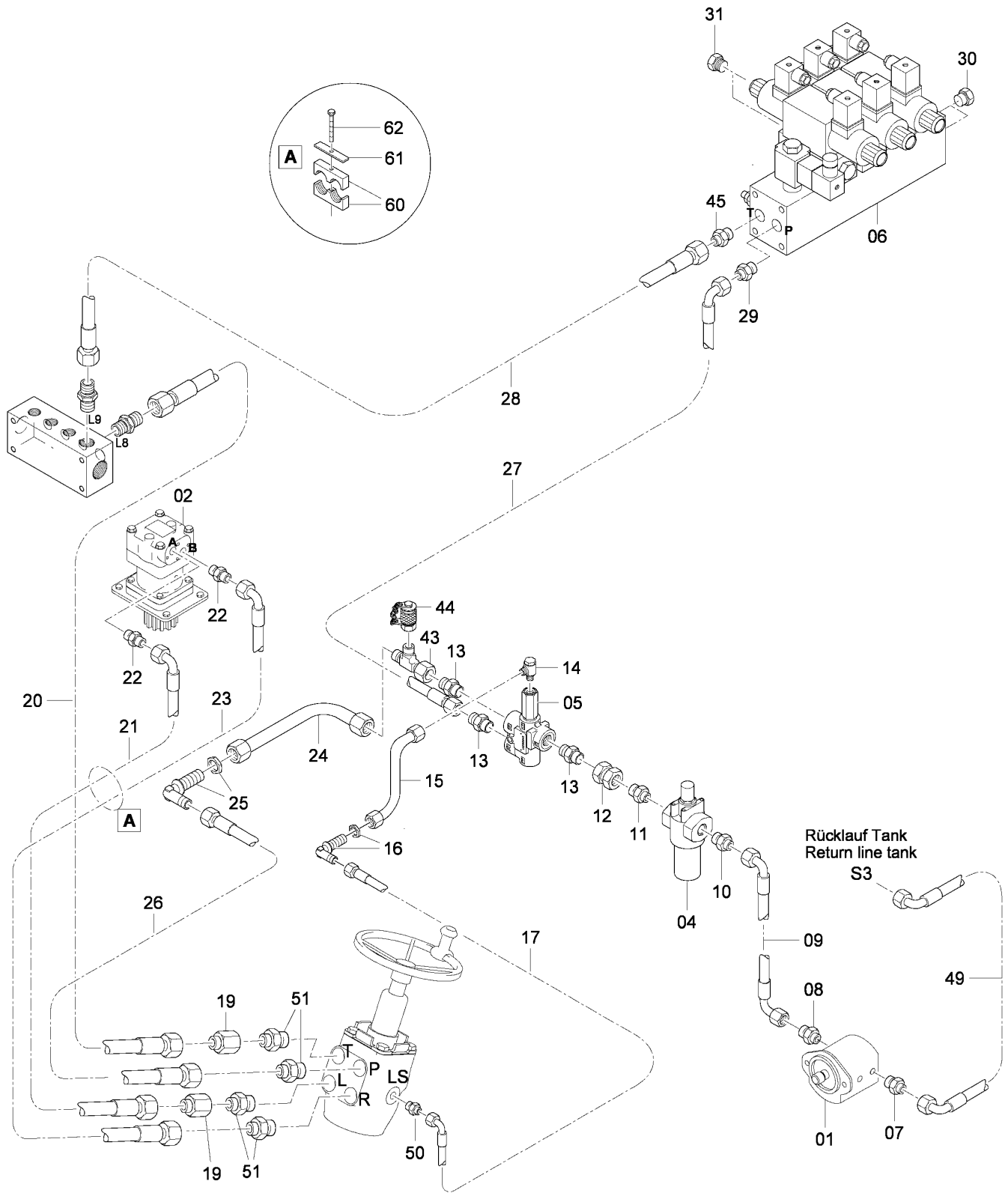
Wed Apr 01 20:36:43 MDT 2015

Item	Part No.	Name	Qty	L	SN INFO
2	D963125331	2/2 way valve	1		
3	D963612216	Magnet	1		
4	D963612123	Magnet	3		
5	D963142319	4/3 way valve	3		
6	D963106554	Non return valve	3		

Refer to Parts Online for the most up to date information. The printed information might be outdated.

Wed Apr 01 20:36:43 MDT 2015

**Steering Front wheel** Steering Front wheel



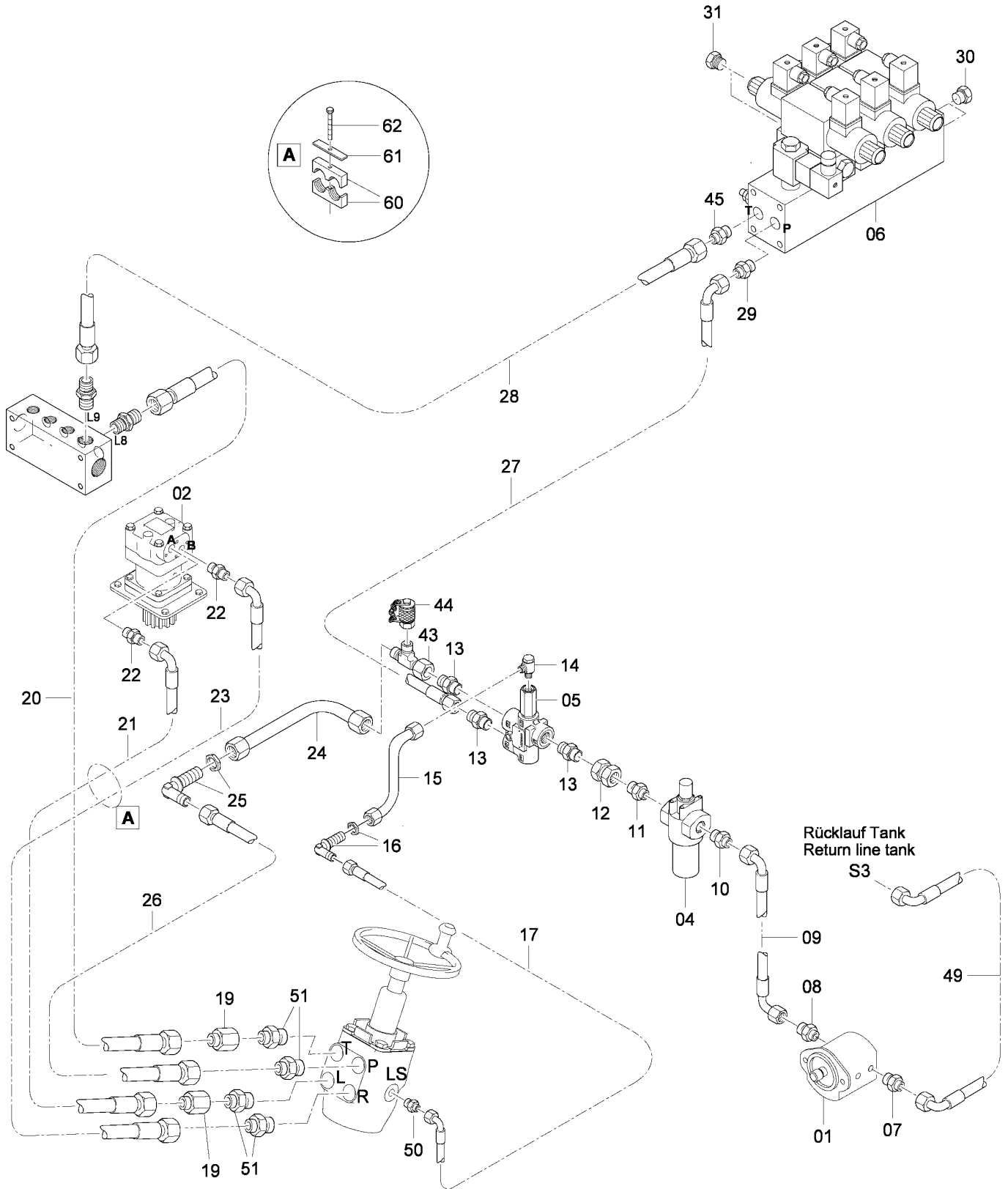
Refer to Parts Online for the most up to date information. The printed information might be outdated.

Wed Apr 01 20:36:44 MDT 2015

Item	Part No.	Name	Qty	L	SN INFO
1	D967088022	Hydraulic pump			
2	D966057210	Hydraulic motor			
4	D964006104	Filter	1		
4_01	D932786550	Seal kit	1		
4_02	D964350860	Filter element	1		
5	D961542610	Priority valve	1		
7	D961935111	Straight double-ended union	1		
8	D961935109	Straight double-ended union	1		
9	4812002091	Hose	1		
10	D961935135	Straight double-ended union	1		
11	D961941086	Male connector	1		
12	D961121018	Adapter	1		
13	D961951084	Male connector	8		
14	D961354051	Pressure banjo fittings	1		
15	4812001946	Pipe	1		
16	4749220648	Elbow socket	1		
17	D960822792	Hose	1		
19	D961355001	Reducing union	2		
20	4812002072	Hose	1		
21	D960843953	Hose	1		
22	D961941086	Male connector	2		
23	D960843951	Hose DN10x2250	1		
24	4812274276	Pipe	1		
25	4749220650	Stud	1		
26	4812271094	Hose	1	10	
27	D960841406	Hose	1		
28	D960852852	Hose	1		
29	4749220734	Stud	1		
30	D961175109	Plug screw	2		
31	D961175108	Plug screw	2		
43	4749220460	Stud	1		
44	D961772637	Test connector	1		
45	D961355014	Screwing	1		
49	D960874305	Hose	1		
50	D961835206	Stud	1		

Refer to Parts Online for the most up to date information. The printed information might be outdated.

Wed Apr 01 20:36:44 MDT 2015



Refer to Parts Online for the most up to date information. The printed information might be outdated.

Wed Apr 01 20:36:45 MDT 2015

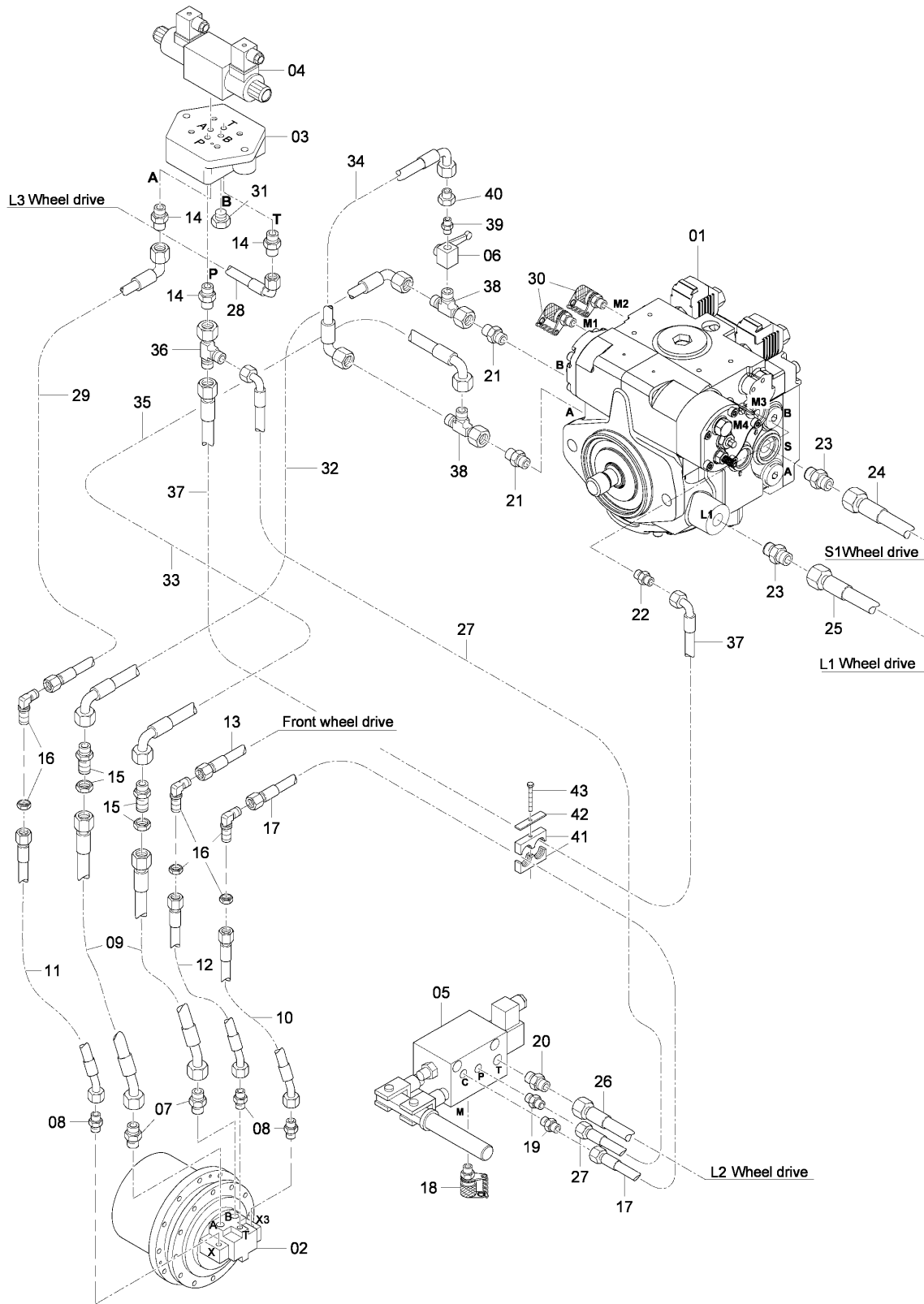
Item	Part No.	Name	Qty	L	SN INFO
51	4812003507	Straight connector	4		
52	D930664027	Protect hose	2m		
60	4749300510	Clamp	2		
61	4749300384	Cover plate	2		
62	0147132912	Screw	2		

Refer to Parts Online for the most up to date information. The printed information might be outdated.

Wed Apr 01 20:36:45 MDT 2015



One wheel drive Hydraulics One wheel drive Hydraulics



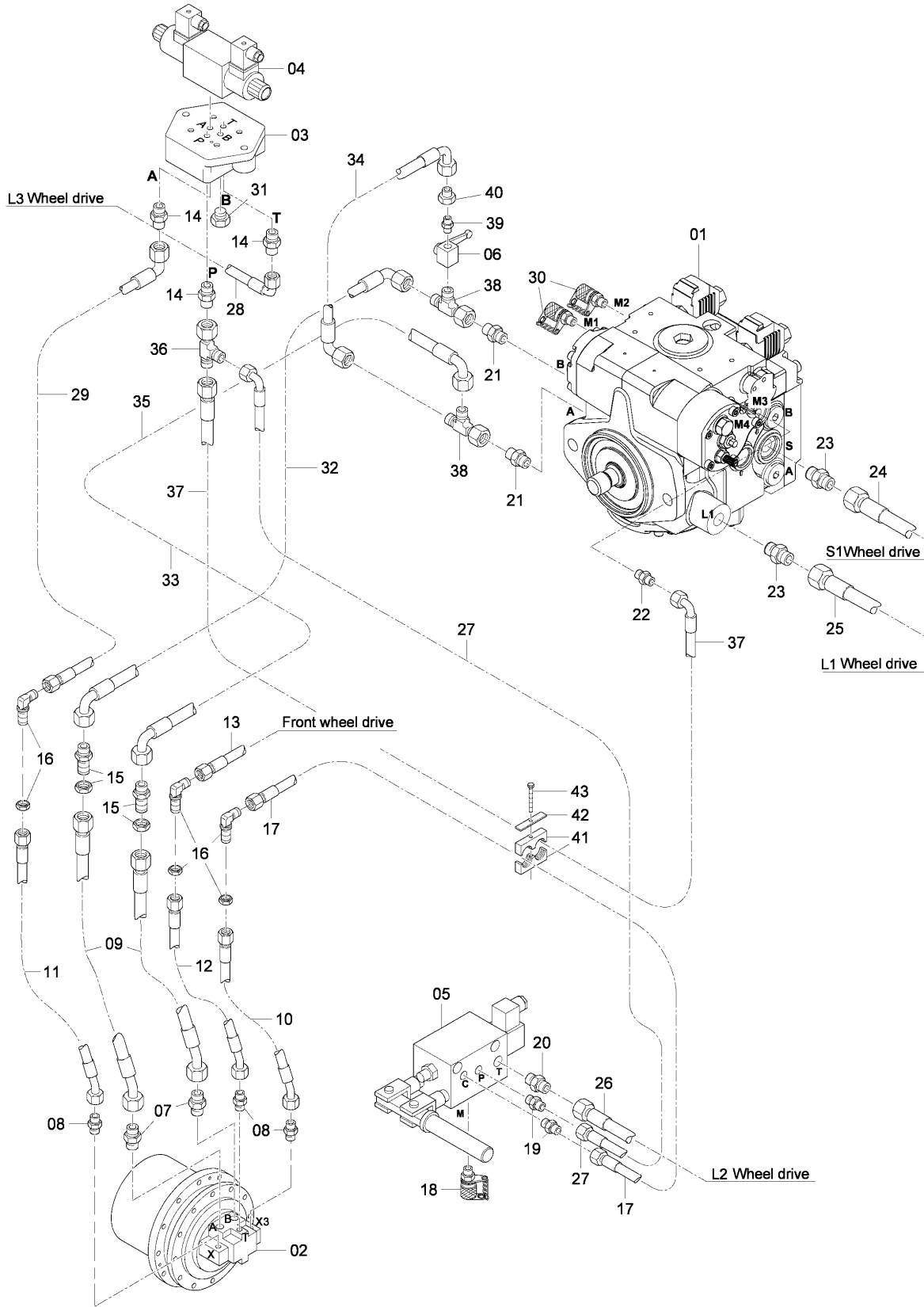
Refer to Parts Online for the most up to date information. The printed information might be outdated.

Wed Apr 01 20:36:45 MDT 2015

Item	Part No.	Name	Qty	L	SN INFO
1	D967045031	Pump, 3 wheel drive	1		
2	D951020927	Gear with motor	1		
3	D960701210	Adapter plate	1		
4	D963135670	Way valve	1		
4_01	D963612115	Magnet	1		
4_02	D963538312	Seal kit	1		
5	D963155700	Handpump	1		
5_01	D963155704	Way valve	1		
5_02	D960644917	Magnet	1		
5_03	D963105530	Non return valve	1		
6	D930296631	Ball valve	1		
7	D961835220	Adapter	2		
8	D961835207	Male connector	3		
9	D960852202	Hose	2		
10	D960832005	Hose	1		
11	D960832050	Hose assy DN8x1050	1		
12	D960831852	Hose	1		
13	D960833551	Hose	1		
14	4812002294	Stud	3		
15	D961906020	Adapter	2		
16	D961907007	Bulkhead union elbow	3		
17	D960833006	Hose	1		
18	D961772667	Test point	1		
19	D961935207	Male connector	2		
20	D961353010	Male connector	1		
21	D961935321	Straight double-ended union	2		
22	D961935307	Straight double-ended union	1		
23	D961935311	Straight double-ended union	2		
24	D960873428	Hose	1		
25	D960871533	Hose	1		
26	4812002083	Hose	1		
27	4812002082	Hose	1		
28	D960873327	Hose	1		
29	D960833675	Hose	1		
30	D961772678	Test point	2		

Refer to Parts Online for the most up to date information. The printed information might be outdated.

Wed Apr 01 20:36:45 MDT 2015



Refer to Parts Online for the most up to date information. The printed information might be outdated.

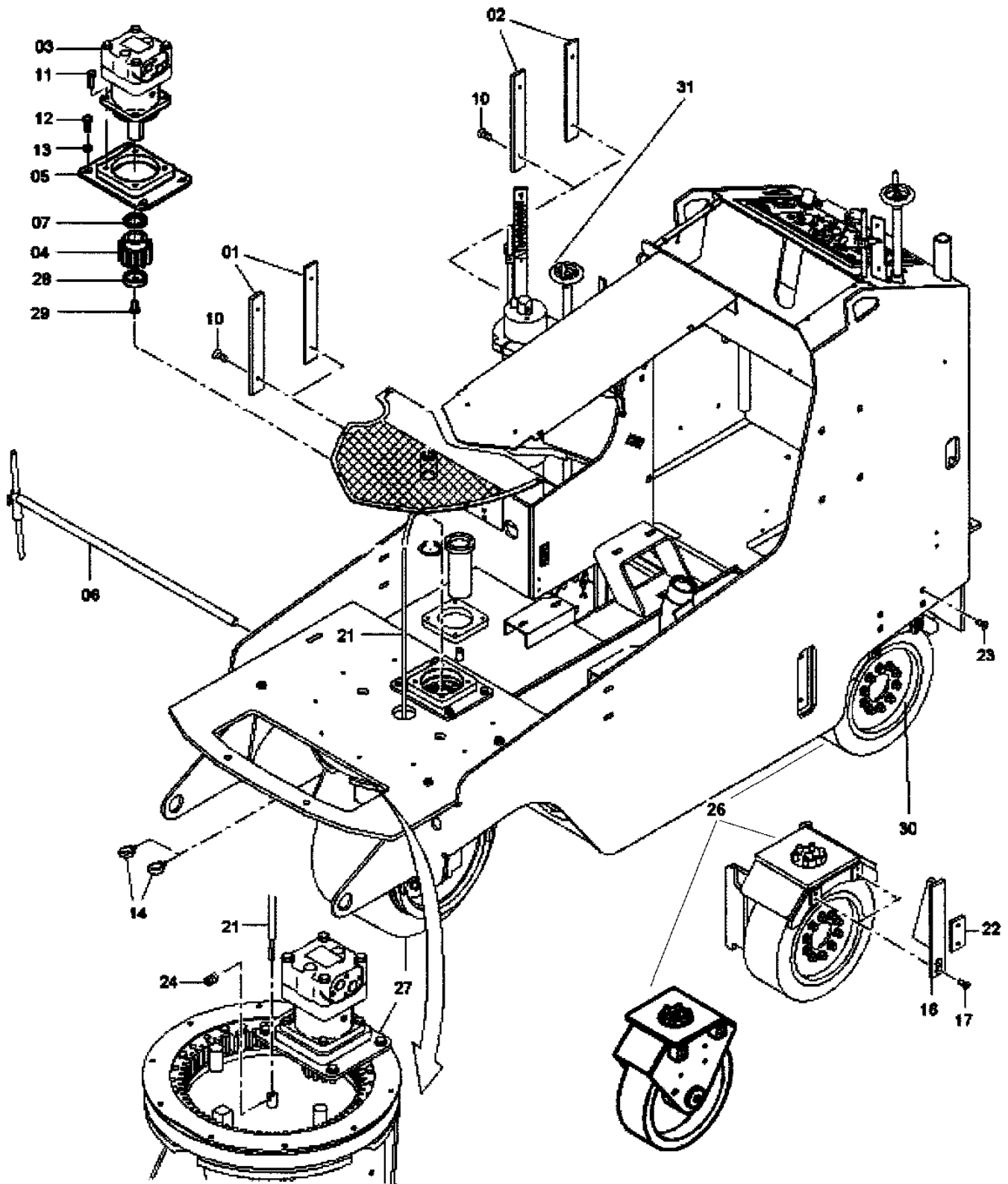
Wed Apr 01 20:36:45 MDT 2015

Item	Part No.	Name	Qty	L	SN INFO
31	D961175106	Plug screw	1		
32	D960854449	Hose	1		
33	D960853966	Hose	1		
34	4812002080	Hose	1		
35	D960861327	Hose	1		
36	D961918018	Adapter, T-connector	1		
37	D960831301	Hose	1		
38	D961919021	Swivel nut branch tee	2		
39	D961935337	Stud	1		
40	D961920661	Reduction union	1		
41	4749300511	Clamp	2		
42	4749300384	Cover plate	2		
43	0147132912	Screw	1		

Refer to Parts Online for the most up to date information. The printed information might be outdated.

Wed Apr 01 20:36:45 MDT 2015

Steering and levelling Steering and levelling



Refer to Parts Online for the most up to date information. The printed information might be outdated.

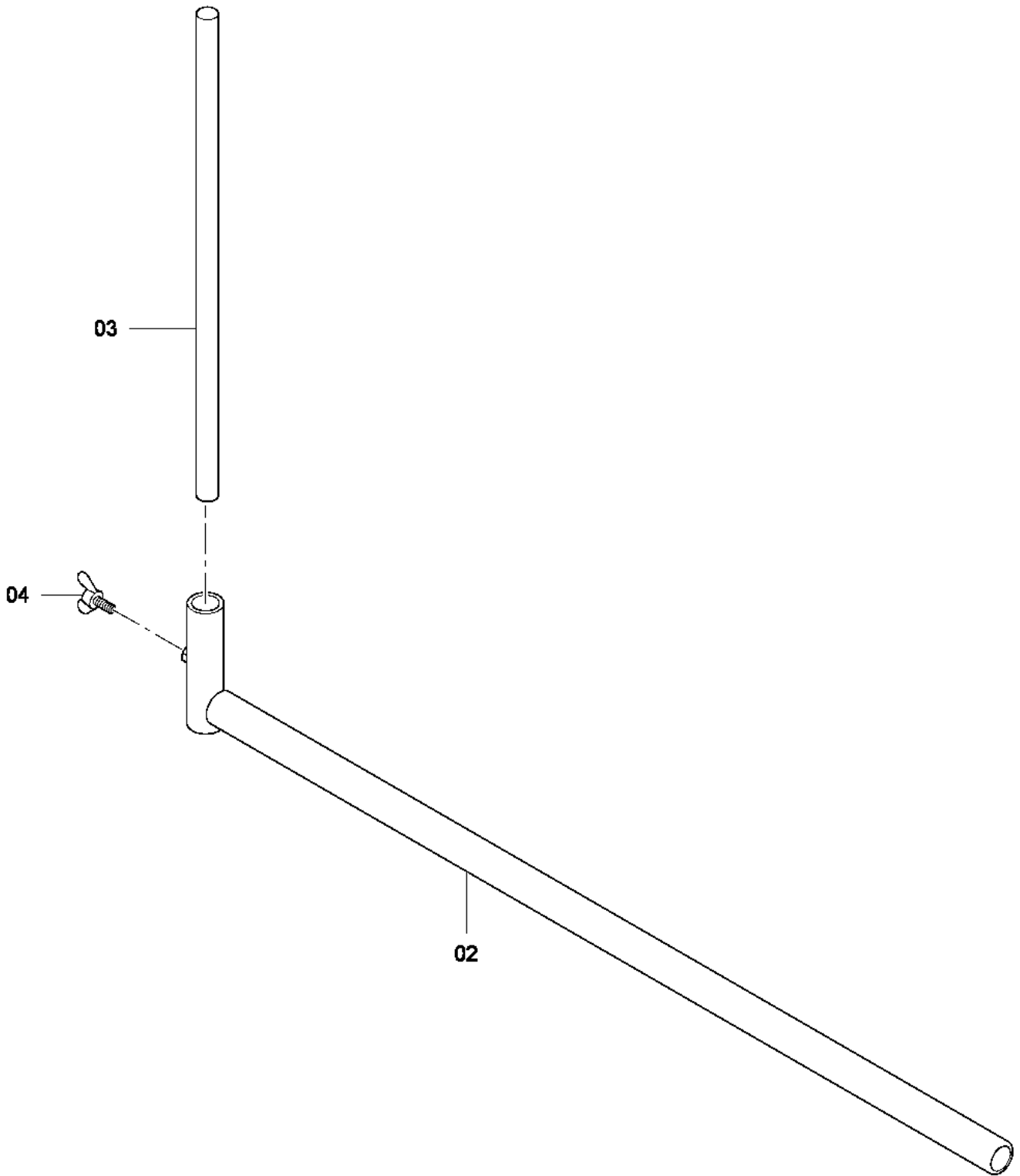
Wed Apr 01 20:36:45 MDT 2015

Item	Part No.	Name	Qty	L	SN INFO
1	D501040127	Guide plate middle, right	2		
2	D501040126	Guide plate rear, right	2		
3	D966057210	Hydraulic motor	1		
4	D501040130	Gear wheel	1		
5	D501140104	Plate	1		
6		Dipstick, compl.			
7	D501140102	Distance washer	1		
8		Steering control unit			
10	4811000096	Hex. socket countersunk screw M10x020H, 10.9	8		
11	0147140303	Screw DIN933	4		
12	0147140203	Screw	4		
13	4700904231	steel plain washer	4		
14	0371110021	Lifting eye	2		
16	4812000622	Torsional safety	2		
17	4700513013	Screw	4		
21	4812000647	Shaft	1		
22	4812000624	Guide rail	2		
23	4700513009	Screw, M8 x 16 mm 10.9 GEOMET®	4		
24	D937944487	Threaded pin	1		
26		All wheel drive			
26		One wheel drive			
27		Front axle			
27		Front axel			
28	D501140103	Disc	1		
29	4700513010	Hex. socket countersunk screw	1		
30		Levelling left			
31		Levelling right			

Refer to Parts Online for the most up to date information. The printed information might be outdated.

Wed Apr 01 20:36:45 MDT 2015

**Steering and levelling** Dipstick, compl.



Refer to Parts Online for the most up to date information. The printed information might be outdated.

Wed Apr 01 20:36:45 MDT 2015

Item	Part No.	Name	Qty	L	SN INFO
2	4812002396	Dipstick	1		
3	D314001386	Round steel	1		
4	D937030489	Wing screw	1		

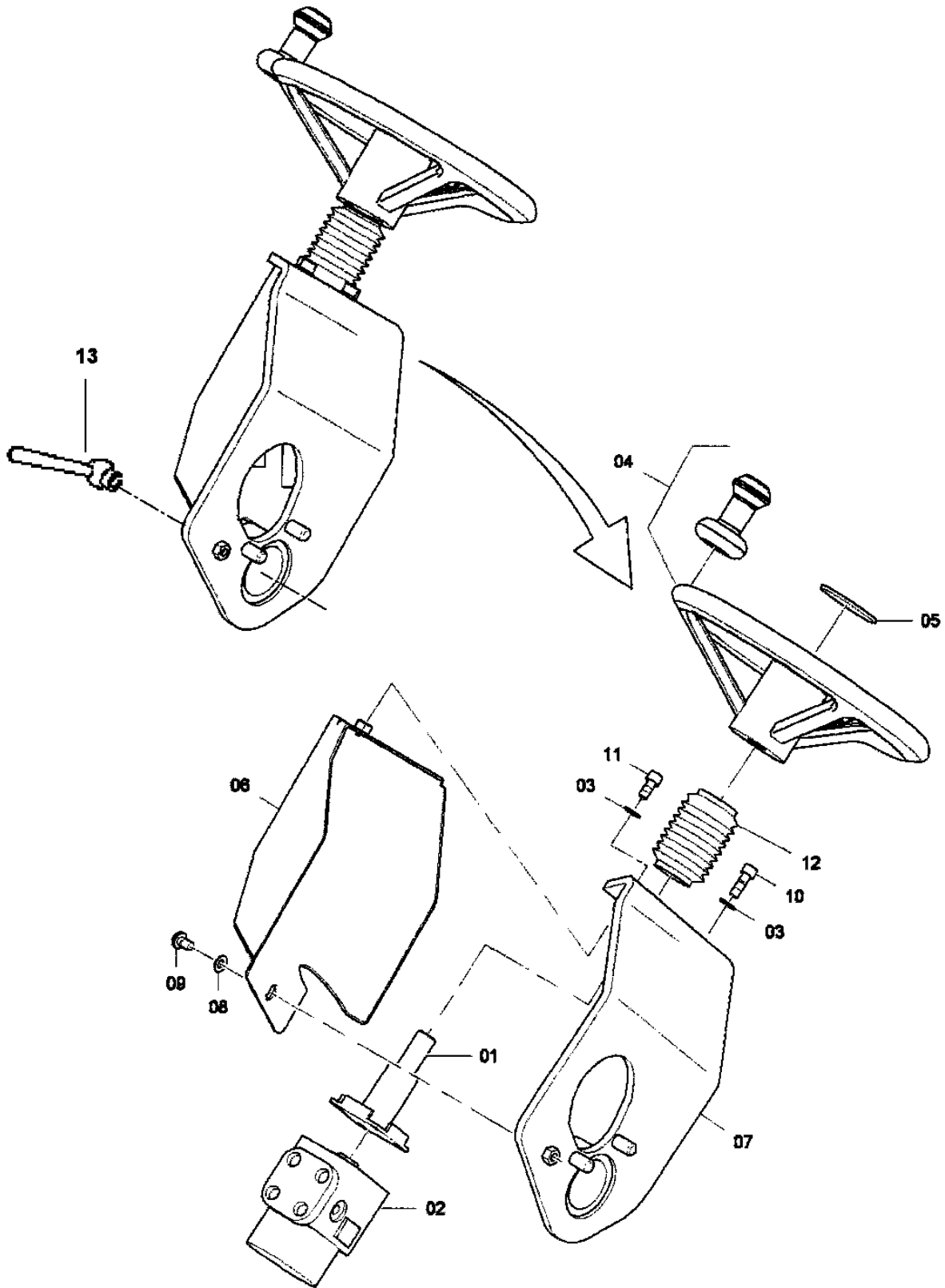
---

Refer to Parts Online for the most up to date information. The printed information might be outdated.

Wed Apr 01 20:36:45 MDT 2015



**Steering and levelling** Steering control unit



Refer to Parts Online for the most up to date information. The printed information might be outdated.

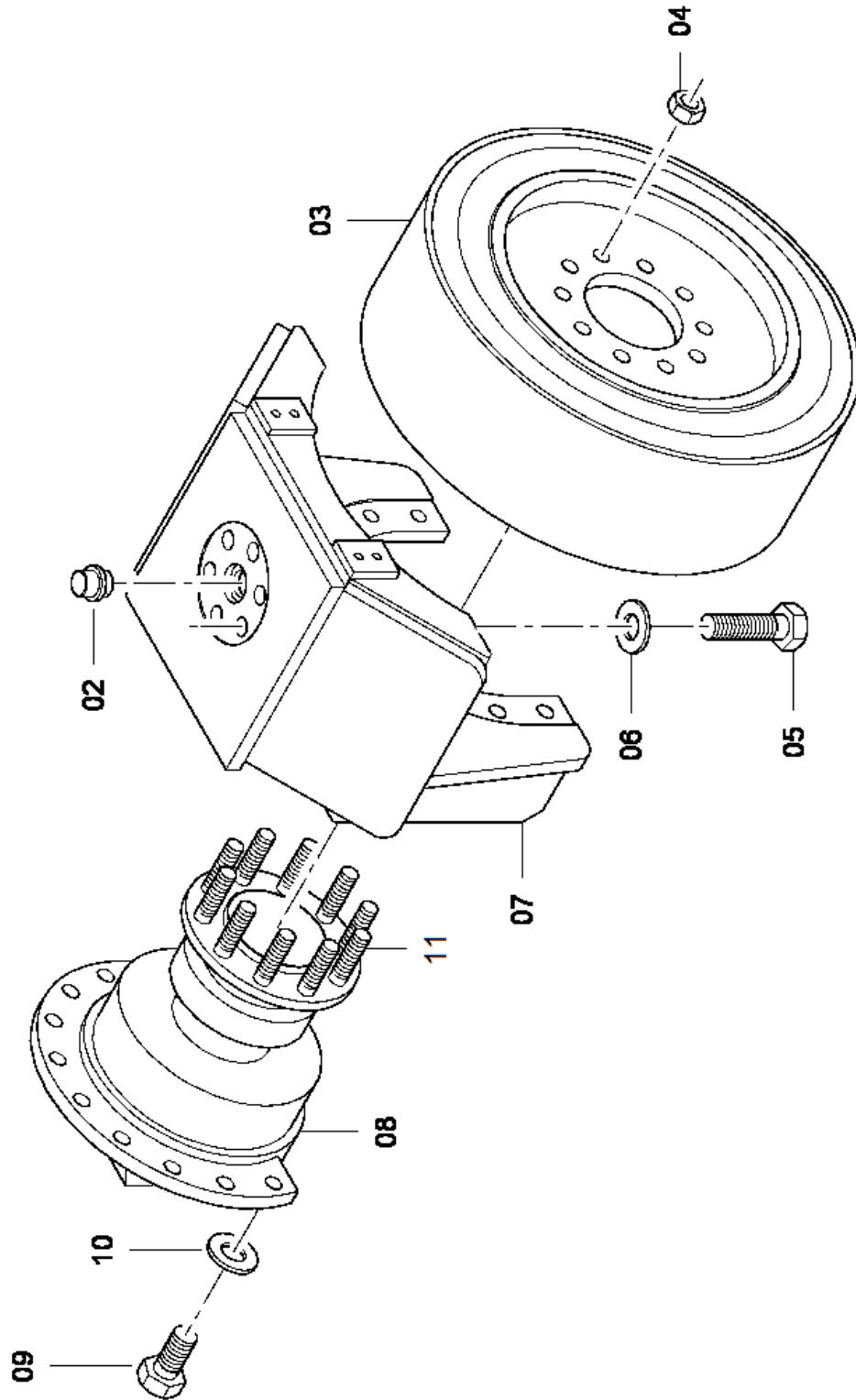
Wed Apr 01 20:36:46 MDT 2015

Item	Part No.	Name	Qty	L	SN INFO
1	D954541201	Steering column	1		
2	4812002854	Steering device	1		
3	4749901807	Washer	4		
4	D954541270	Steering wheel	1		
5	D954502001	Cover	1		
6	4812001969	Sheet	1		
7	4812001971	Console	1		
8	D939776115	Washer	2		
9	0215001085	Hexagon socket button head screw	1		
10	0211136503	Hex. Sock screw, M10x40, 8.8	4		
11	0211136303	Hex sock. screw	1		
12	4812002272	Bellows	1		
13	4812116852	Lock lever	1		

Refer to Parts Online for the most up to date information. The printed information might be outdated.

Wed Apr 01 20:36:46 MDT 2015

**Steering and levelling** All wheel drive



Refer to Parts Online for the most up to date information. The printed information might be outdated.

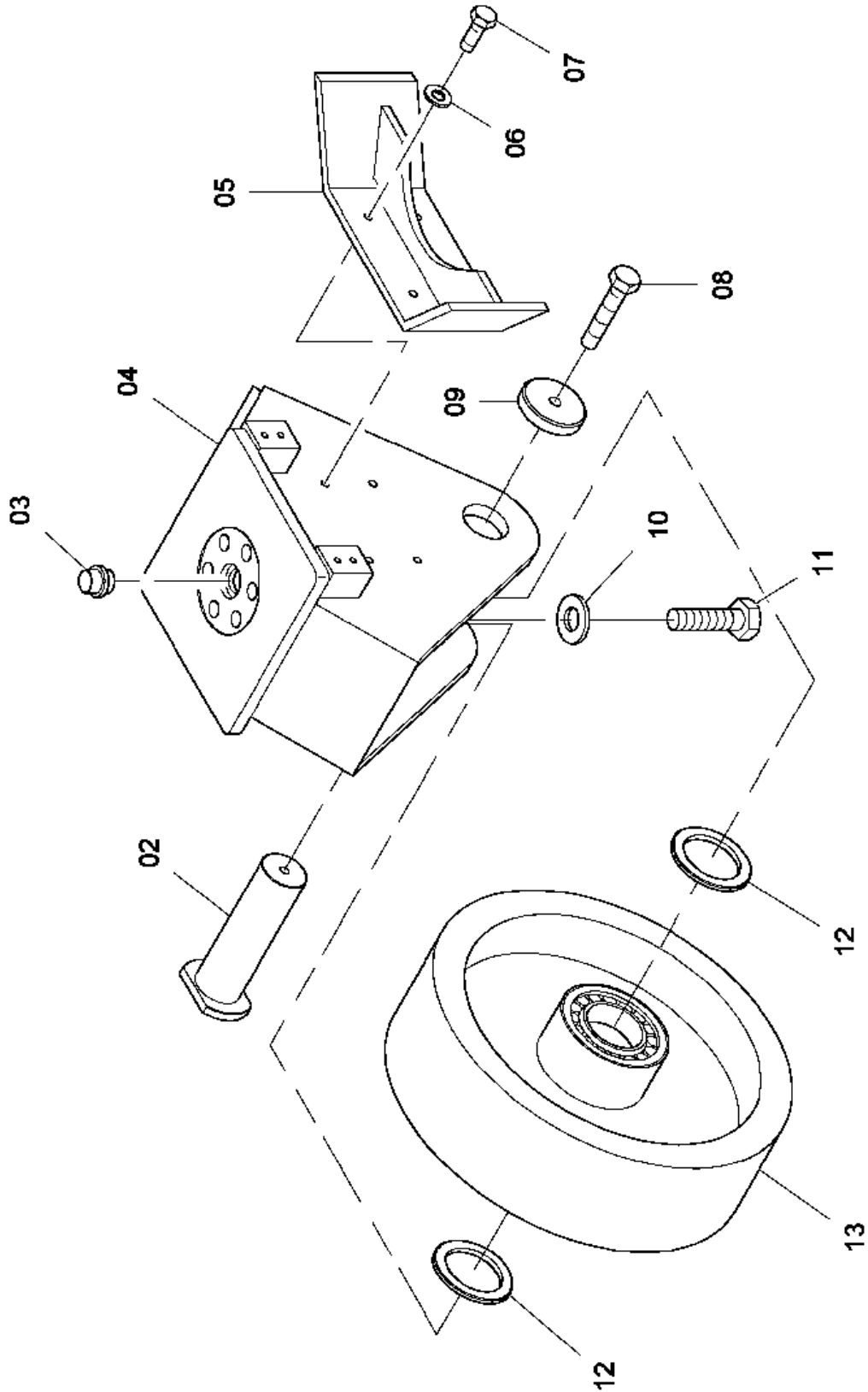
Wed Apr 01 20:36:46 MDT 2015

Item	Part No.	Name	Qty	L	SN INFO
2	D501050113	Center pin	1		
3	D501050108	Wheel, compl.	1		
3_01	D501050112	Rim	1		
3_02	D952065001	Steel bandage	1		
4	4749901284	Nut	1		
5	0147147703	Screw DIN933	6		
6	4749901809	Schnorr-lock washer	6		
7	D501250102	Wheel support	1		
8	D966085552	Radial piston motor	1		
9	0147147603	Screw	10		
10	0301237800	Washer DIN125	10		
11	4700902391	Wheel stud	10		

Refer to Parts Online for the most up to date information. The printed information might be outdated.

Wed Apr 01 20:36:46 MDT 2015

**Steering and levelling** One wheel drive



Refer to Parts Online for the most up to date information. The printed information might be outdated.

Wed Apr 01 20:36:46 MDT 2015

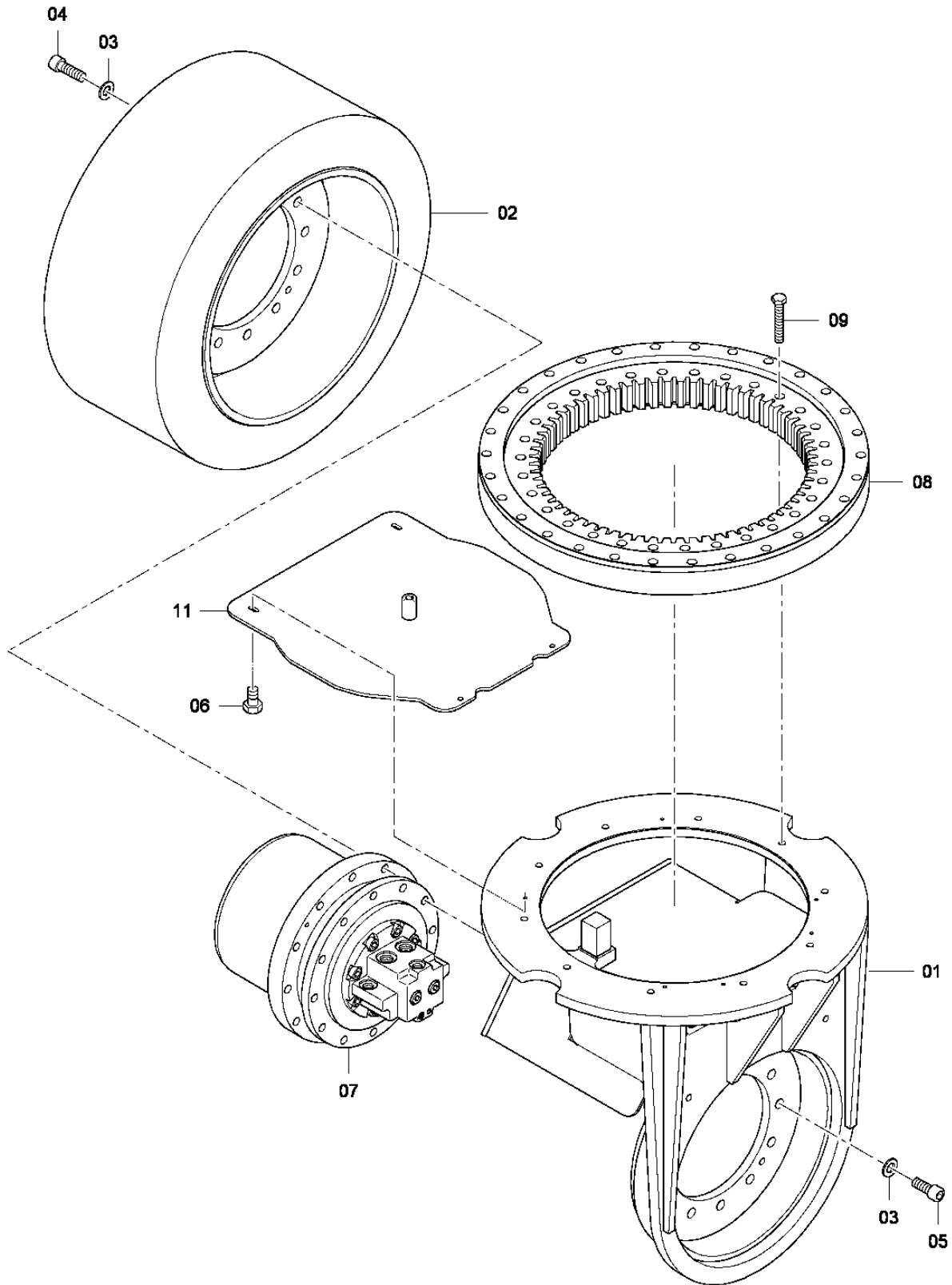
Item	Part No.	Name	Qty	L	SN INFO
2	D501050158	Bolt	1		
3	D501050113	Center pin	1		
4	D501050151	Wheel support	1		
5	D501250107	Distance piece	1	10	
6	0301234400	Washer	4	10	
7	0147136203	Hex. head screw	4	10	
8	0147140303	Screw DIN933	1		
9	D501050159	Disc	1		
10	0301237800	Washer DIN125	6		
11	0147147603	Screw	6		
12	D501050155	Distance washer	2		
13	D952060900	Wheel	1		

Comments for Page: One wheel drive

(L)OCAL REMARKS

10 | en\_US | Only on right wheel

Front axle Front axle



Refer to Parts Online for the most up to date information. The printed information might be outdated.

Wed Apr 01 20:36:47 MDT 2015

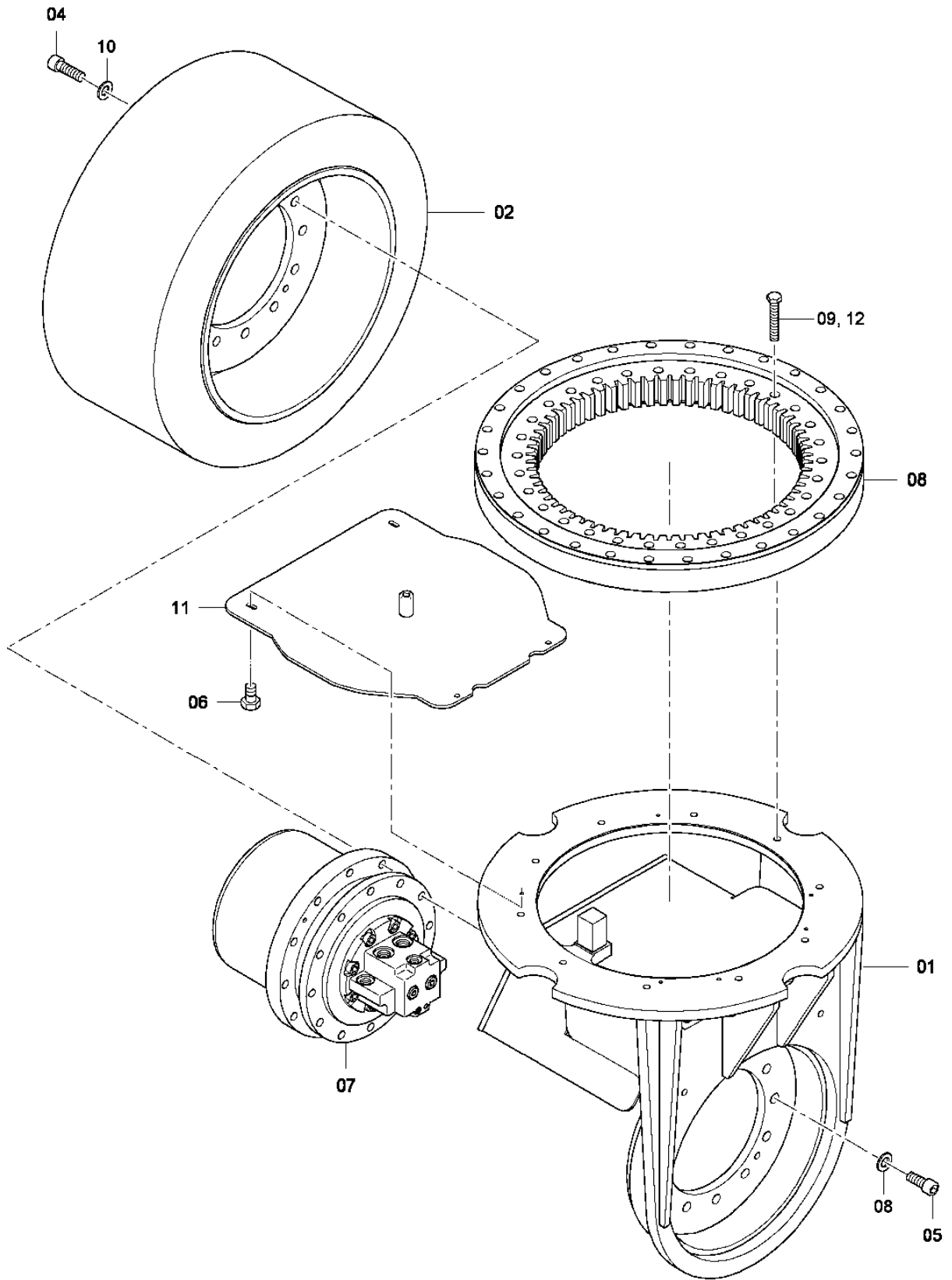
Item	Part No.	Name	Qty	L	SN INFO
1	D501150113	Wheel support	1		
2	D501050115	Wheel	1		
2_01	D501050116	Rim	1		
2_02	D952065000	Steel bandage	1		
3	0301237100	Washer DIN125	24		
4	0211144103	Hexagon socket head cap screw	12		
5	0211110286	Hexagon socket head cap screw	12		
6	4700925785	Hex. socket screw M06x012H	4		
7	D951020927	Gear with motor	1		
8	D935225790	Bearing	1		
9	0147140903	Hex. head screw	10		
11	4812000613	Cover plate	1		

Refer to Parts Online for the most up to date information. The printed information might be outdated.

Wed Apr 01 20:36:47 MDT 2015



Steering and levelling Front axel



Refer to Parts Online for the most up to date information. The printed information might be outdated.

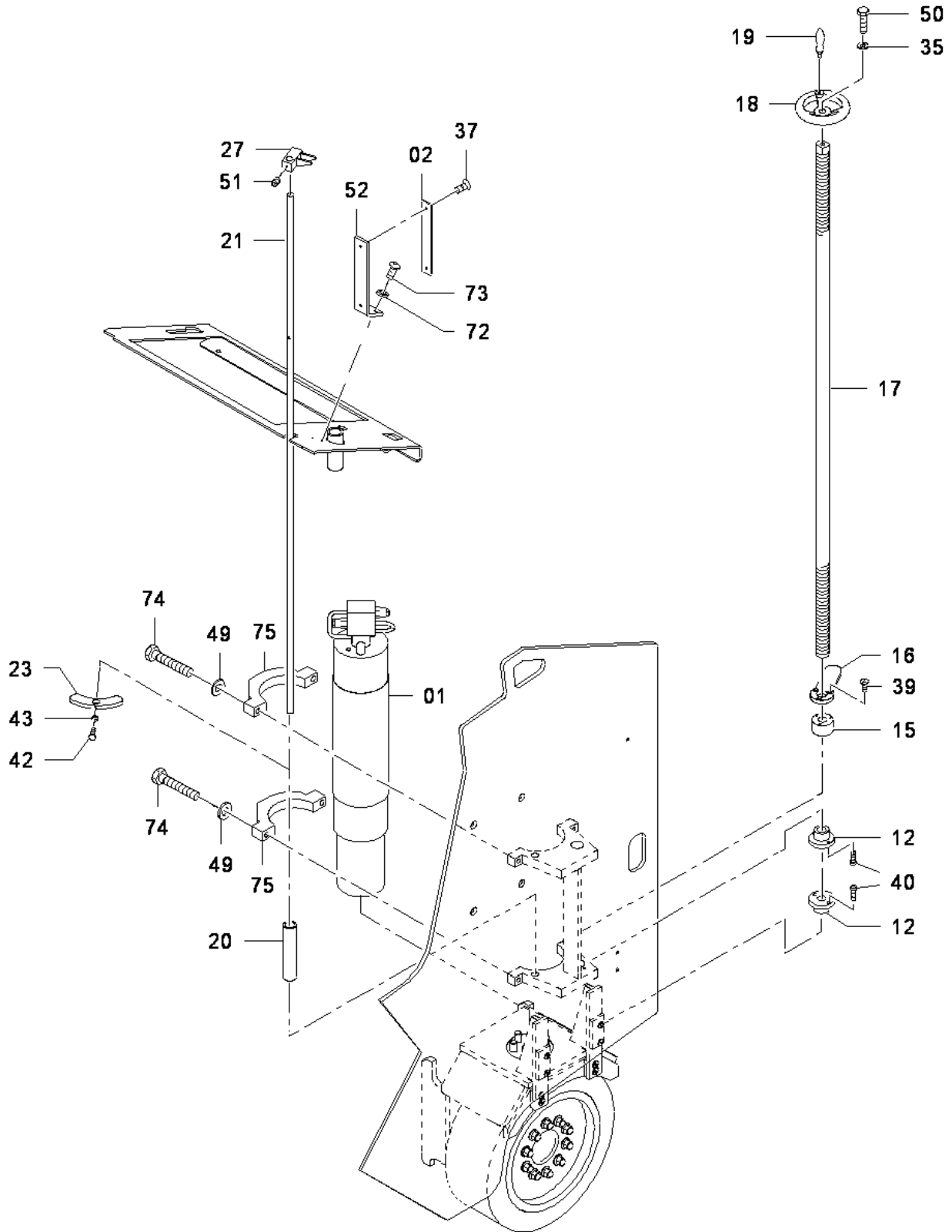
Wed Apr 01 20:36:47 MDT 2015

Item	Part No.	Name	Qty	L	SN INFO
1	D501150113	Wheel support	1		
2	4812116114	Wheel	1		
3	4700792716	Steel plain washer M14	12		
4	4700904522	Screw, M12 x 45 mm 12.9 GEOMET®	12		
5	4700929159	Hex. socket countersunk screw M14	12		
6	4700925785	Hex. socket screw M06x012H	4		
7	4812116278	Hydraulic motor	1		
8	D935225790	Bearing	1		
9	0147140903	Hex. head screw	10		
10	4700904231	steel plain washer	12		
11	4812000613	Cover plate	1		

Refer to Parts Online for the most up to date information. The printed information might be outdated.

Wed Apr 01 20:36:47 MDT 2015

Levelling left Levelling left



Refer to Parts Online for the most up to date information. The printed information might be outdated.

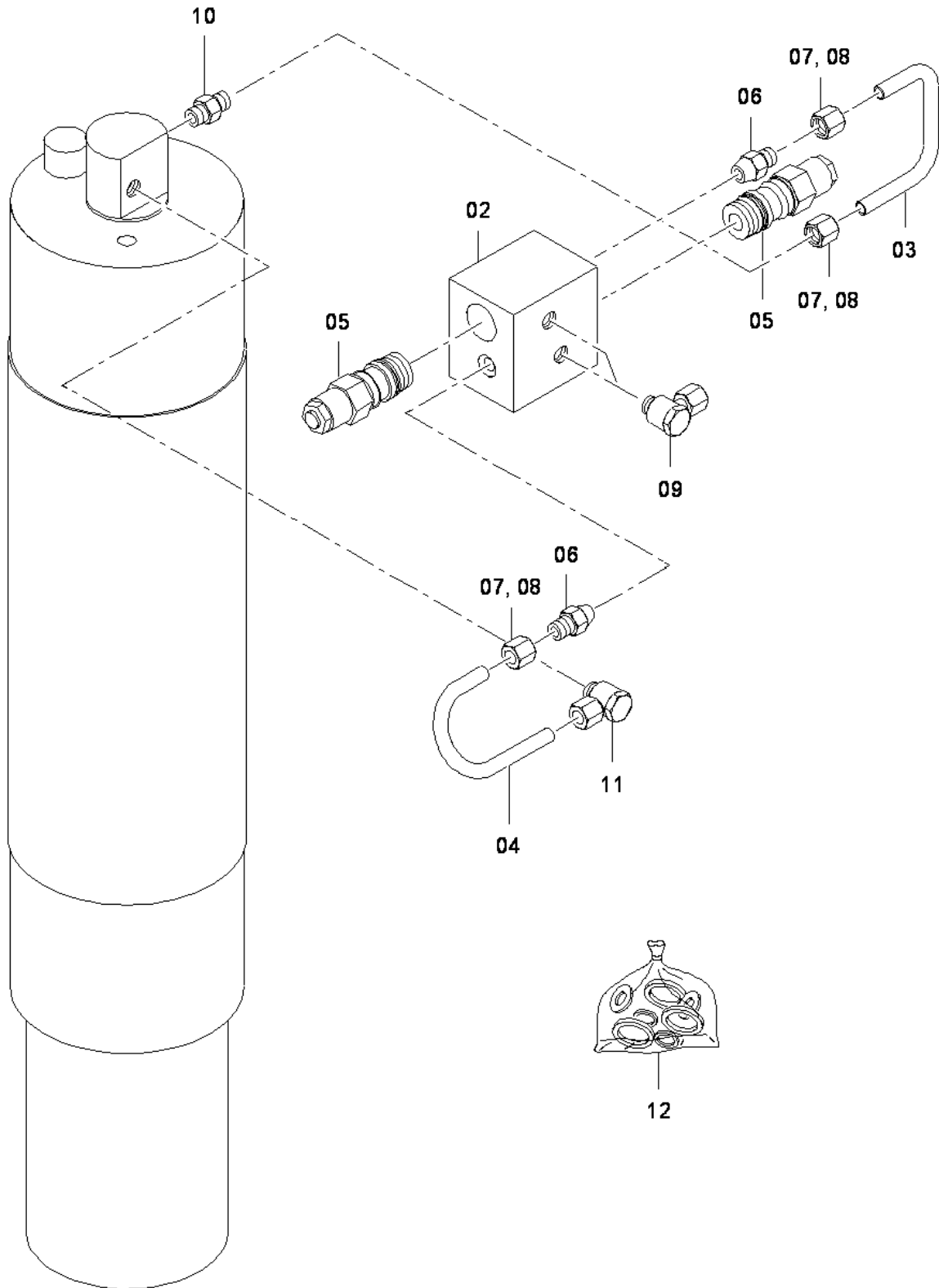
Wed Apr 01 20:36:47 MDT 2015

Item	Part No.	Name	Qty	L	SN INFO
1	4812003252	Strut unit	1		
2	4812247263	Scale	1		
12	D501210166	Bushing	2		
15	D501140115	Round nut	1		
16	D501140116	Lever	1		
17	D501540123	Spindle	1		
18	D954541265	Hand wheel	1		
19	D954505019	Handle grip	1		
20	D501040156	Pipe	1		
21	D501540101	Rod	1		
23	D501040116	Torsional safety	1		
27	D501040120	Pointer, right	1		
35	0302127405	Flat washer	1		
37	D939142306	Wing screw	2		
39	4700513008	Washer	3		
40	0211124903	Hex sock. screw	2		
42	0147124703	Screw DIN933	1		
43	4700904228	Steel plain washer	1		
49	4700904231	steel plain washer	4		
50	4700500161	Screw	1		
51	D937948485	Threaded pin	1		
52	4812000610	Scale holder	1		
72	4749901860	Washer	2		
73	0215000620	Hexagon socket button head screw	2		
74	0147140803	Hexagon bolt	4		
75	D501510182	Plate	2		

Refer to Parts Online for the most up to date information. The printed information might be outdated.

Wed Apr 01 20:36:47 MDT 2015

**Levelling left 4812003252 Strut unit**



Refer to Parts Online for the most up to date information. The printed information might be outdated.

Wed Apr 01 20:36:47 MDT 2015

Item	Part No.	Name	Qty	L	SN INFO
2	4812003529	Valve block	1		
3	4812003530	Wiring pipe	1		
4	4812003531	Wiring pipe	1		
5	D965661010	Counterbalance valve	2		
6	4812003533	Connection piece	2		
7	D965705651	Union nut	4		
8	D965646000	Progressive ring	4		
9	D965671000	Pressure banjo fittings	2		
10	D965565001	Male connector	1		
11	D965671000	Pressure banjo fittings	1		
12	D965531583	Seal kit	1		

Refer to Parts Online for the most up to date information. The printed information might be outdated.

Wed Apr 01 20:36:47 MDT 2015

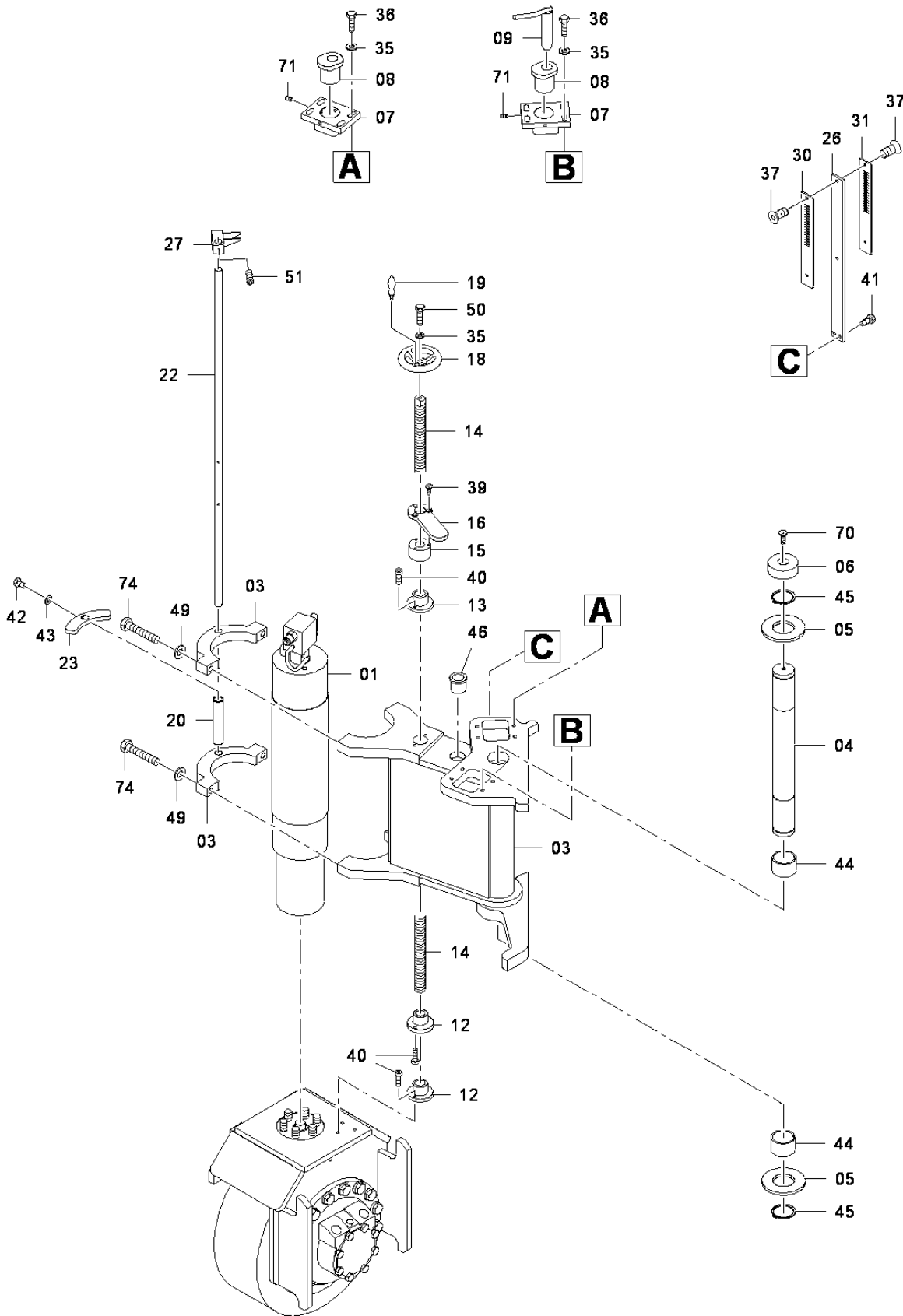


Item	Part No.	Name	Qty	L	SN INFO
1	4812003252	Strut unit	1		
3	D501540130	Swivel arm	1		
4	D501040133	Bolt	1		
5	D200100007	Disc	2		
6	D501040140	Cover	1		
7	D501010377	Guide	2		
8	D501010378	Eccentric bushing	2		
9	D501010383	Lock lever	1		
12	D501210166	Bushing	2		
13	D501540122	Bushing	1		
14	D501140113	Spindle	1		
15	D501140115	Round nut	1		
16	D501140116	Lever	1		
18	D954541265	Hand wheel	1		
19	D954505019	Handle grip	1		
20	D501040156	Pipe	1		
22	D501040147	Rod	1		
23	D501040116	Torsional safety	1		
26	D501040119	Scale holder, right	1		
27	D501040120	Pointer, right	2		
30	4812247264	Scale	1		
31	4812247265	Scale	1		
35	0302127405	Flat washer	8		
36	0147196264	Bolt	8		
37	D939142306	Wing screw	4		
39	4700513008	Washer	3		
40	0211124903	Hex sock. screw	4		
41	0147132203	Screw	2		
42	0147124703	Screw DIN933	1		
43	4700904228	Steel plain washer	1		
44	D930136513	Bushing	2		
45	D936003190	Circlip	2		
46	D930131813	Collar bushing	1		
49	4700904231	steel plain washer	4		
50	4700500161	Screw	1		

Refer to Parts Online for the most up to date information. The printed information might be outdated.

Wed Apr 01 20:36:48 MDT 2015





Refer to Parts Online for the most up to date information. The printed information might be outdated.

Wed Apr 01 20:36:48 MDT 2015

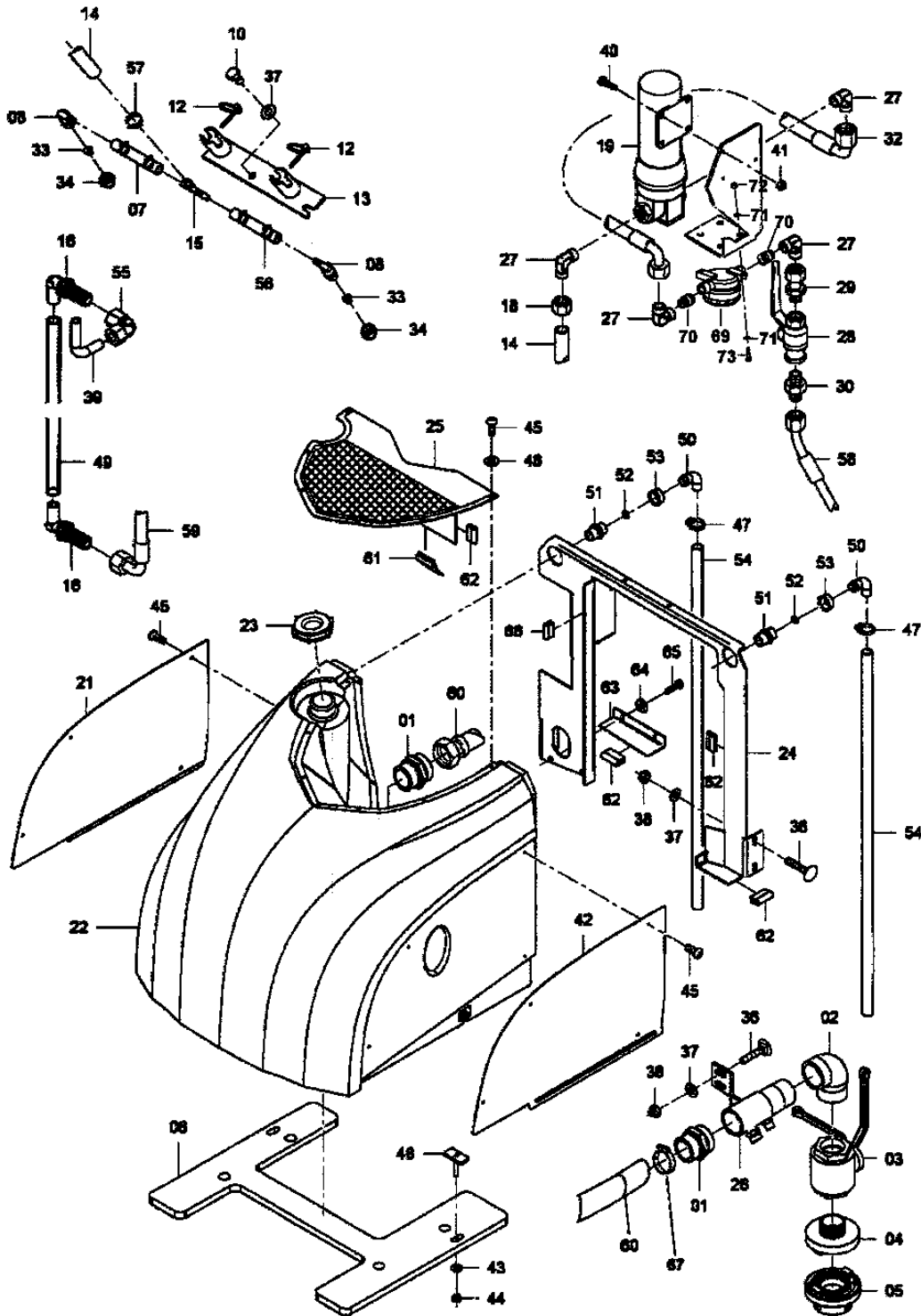
Item	Part No.	Name	Qty	L	SN INFO
70	4700513014	Hex. socket countersunk screw	1		
71	4700926516	Threaded pin	2		
74	0147140803	Hexagon bolt	4		

---

Refer to Parts Online for the most up to date information. The printed information might be outdated.

Wed Apr 01 20:36:48 MDT 2015

PL350 (IIIA/T3) s/n 10000900x0C004242 - Water system



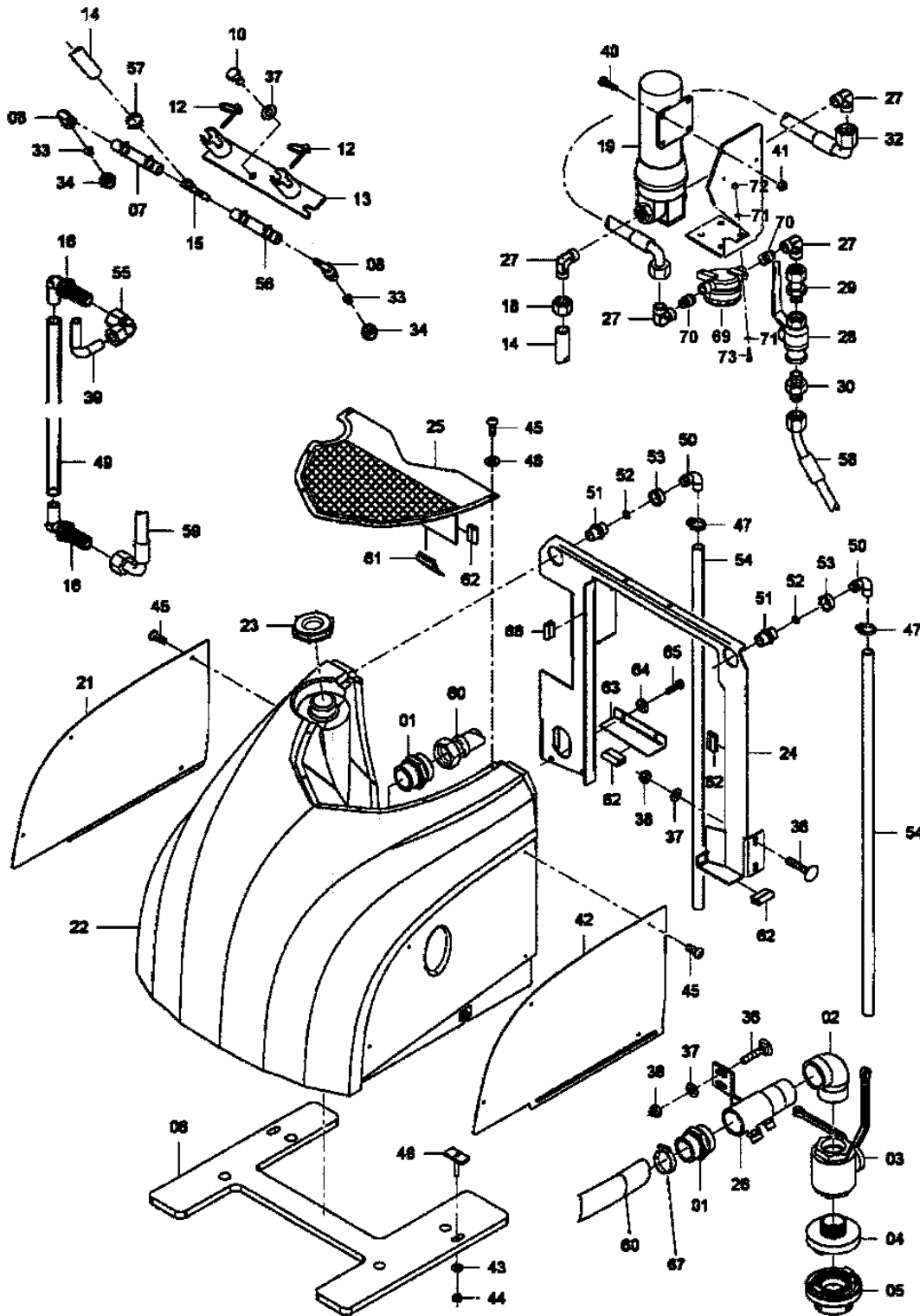
Refer to Parts Online for the most up to date information. The printed information might be outdated.

Wed Apr 01 20:36:49 MDT 2015

Item	Part No.	Name	Qty	L	SN INFO
1	4812116623	Hose connection	2		
2	D930550014	Angle	1		
3	D930296645	Ball valve	1		
4	D930206204	Clutch fast part	1		
5	D930129730	Clutch blind part	1		
6	4812000448	Supporting surface	1		
7	D930667563	Hose	1		
8	D930177509	Hose connection	2		
10	0147136003	Hex. head screw	1		
12	D930290105	Hinged split pin	2		
13	D501210148	Nozzle holder	1		
14	D501190108	Hose	1		
15	D930520314	Equal-tee	1		
16	4749220650	Stud	2		
18	D961935108	Straight double-ended union	1		
19	D967342562	Water pump	1		
21	4812000451	Cover	1		
22	4812000278	Water tank	1		
23	D930480074	Tank Cap	1		
24	4812118675	Frame	1		
25	4812000468	Air inlet	1		
26	4812000487	Flow divider	1		
27	D961355024	Swivel nut elbow	4		
28	D930296461	Ball valve	1		
29	4749220805	Screwing	1		
30	4749220527	Stud	1		
31	4749900168	Tapping screw	4		
32	D960840151	Hose	1		
33	D903508001	Connection	2		
34	D903508005	Union nut	2		
36	0226991535	Flat head screw	6		
37	0302127405	Flat washer	7		
38	0291118549	Hexagon nut	6		
39	4812000477	Pipeline	1		
40	0147147403	Screw	4		

Refer to Parts Online for the most up to date information. The printed information might be outdated.

Wed Apr 01 20:36:49 MDT 2015



Refer to Parts Online for the most up to date information. The printed information might be outdated.

Wed Apr 01 20:36:49 MDT 2015

Item	Part No.	Name	Qty	L	SN INFO
41	0291112854	Hexagon nut	4		
42	4812000450	Cover	1		
43	4700904213	Washer	2		
44	0266211200	Nut DIN934	2		
45	0215001064	Hexagon socket button head screw	14		
46	4749901806	Screw retention	6		
47	D934400050	Hose clip	2		
48	4812000569	Tank support	2		
49	4812000483	Pipe	1		
50	4812000604	Hose coupling	2		
51	4812000602	Double nipple	2		
52	D932333780	O-ring	2		
53	4812000603	Union nut	2		
54	4812000484	Rubber hose	2		
55	D961917008	Elbow socket	1		
56	4749300180	Clamp	4		
57	4749300707	Clip	1		
58	4812001976	Hose	1		
59	4812001977	Hose	1		
60	4700792391	Plastic hose	1	01	
61	4700792258	Edge trim	1	02	
62	4700902166	Edge trim	1	03	
63	4812002256	Holder	1		
64	4700904229	Steel plain washer 8.4X16X1.5	2		
65	0147132203	Screw	2		
66	4700903953	Edge trim	1	04	
67	4700313008	Hose clamp	2		
69	4812001050	Filter	1		
70	4812118647	Reducer nipple	2		
71	4700904698	Steel plain washer	4		
72	4700923976	Lock nut	2		
73	4700508022	Hexagon socket head cap screw	2		

Comments for Page: Water system

(L)OCAL REMARKS

01 | en\_US | L=0,3 m

02 | en\_US | L=0,8m

03 | en\_US | L=1,1m

04 | en\_US | L=0,8m

**Conveyor** Conveyor

This page intentionally left blank



**NO DRAWING  
AVAILABLE  
FOR THIS BOM**

Item	Part No.	Name	Qty	L	SN INFO
Not Shown		Hydraulic components			
1		Conveyor			

---

Refer to Parts Online for the most up to date information. The printed information might be outdated.

Wed Apr 01 20:36:49 MDT 2015

**Hydraulic components** Hydraulic components

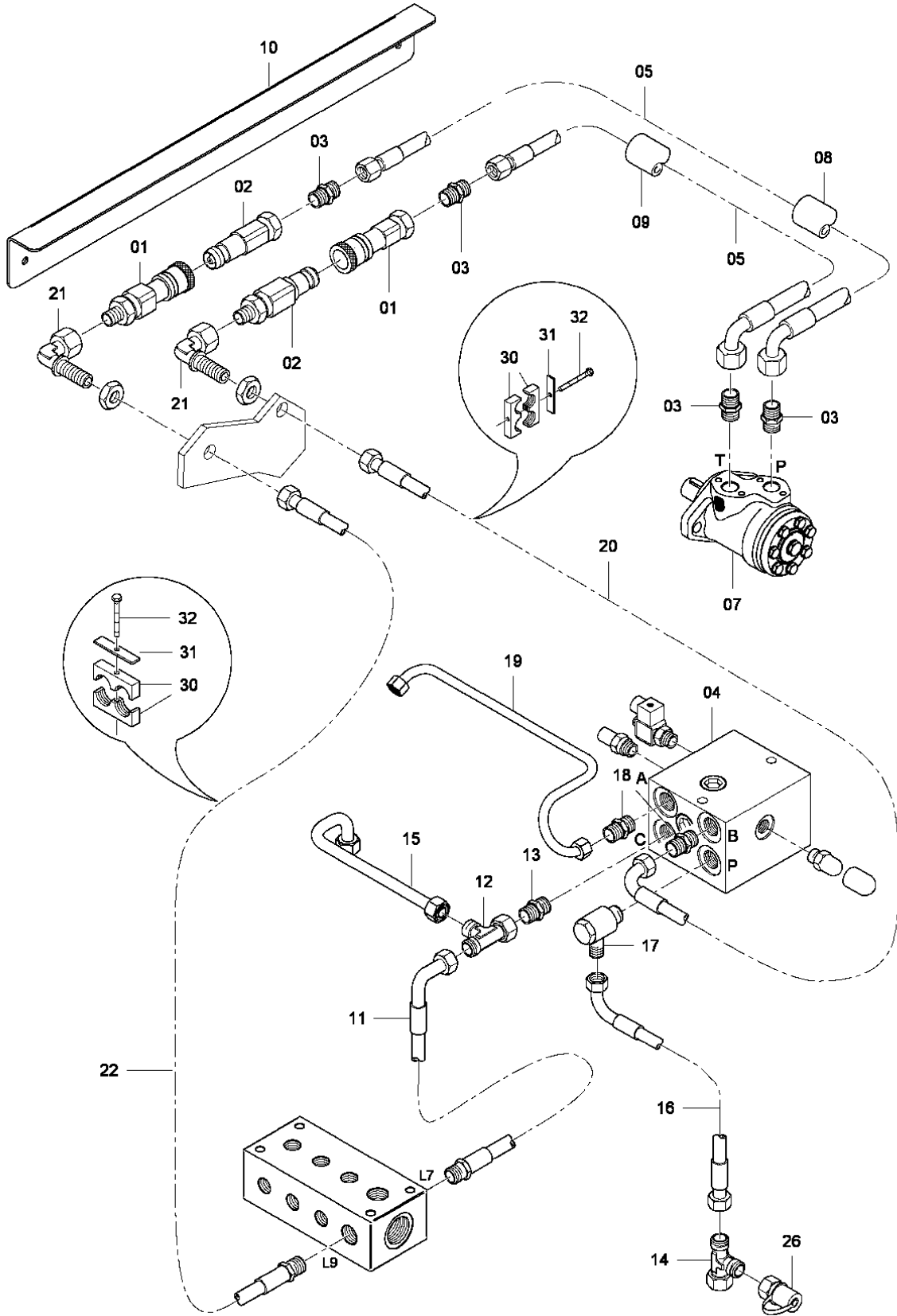
**NO DRAWING  
AVAILABLE  
FOR THIS BOM**

Item	Part No.	Name	Qty	L	SN INFO
1		Conveyor hydraulic			
2		Scraper hydraulic			
3		Hydraulic demolition hammer			
4		Ext. Hydraulic connection			

Refer to Parts Online for the most up to date information. The printed information might be outdated.

Wed Apr 01 20:36:49 MDT 2015

Conveyor hydraulic Conveyor hydraulic



Refer to Parts Online for the most up to date information. The printed information might be outdated.

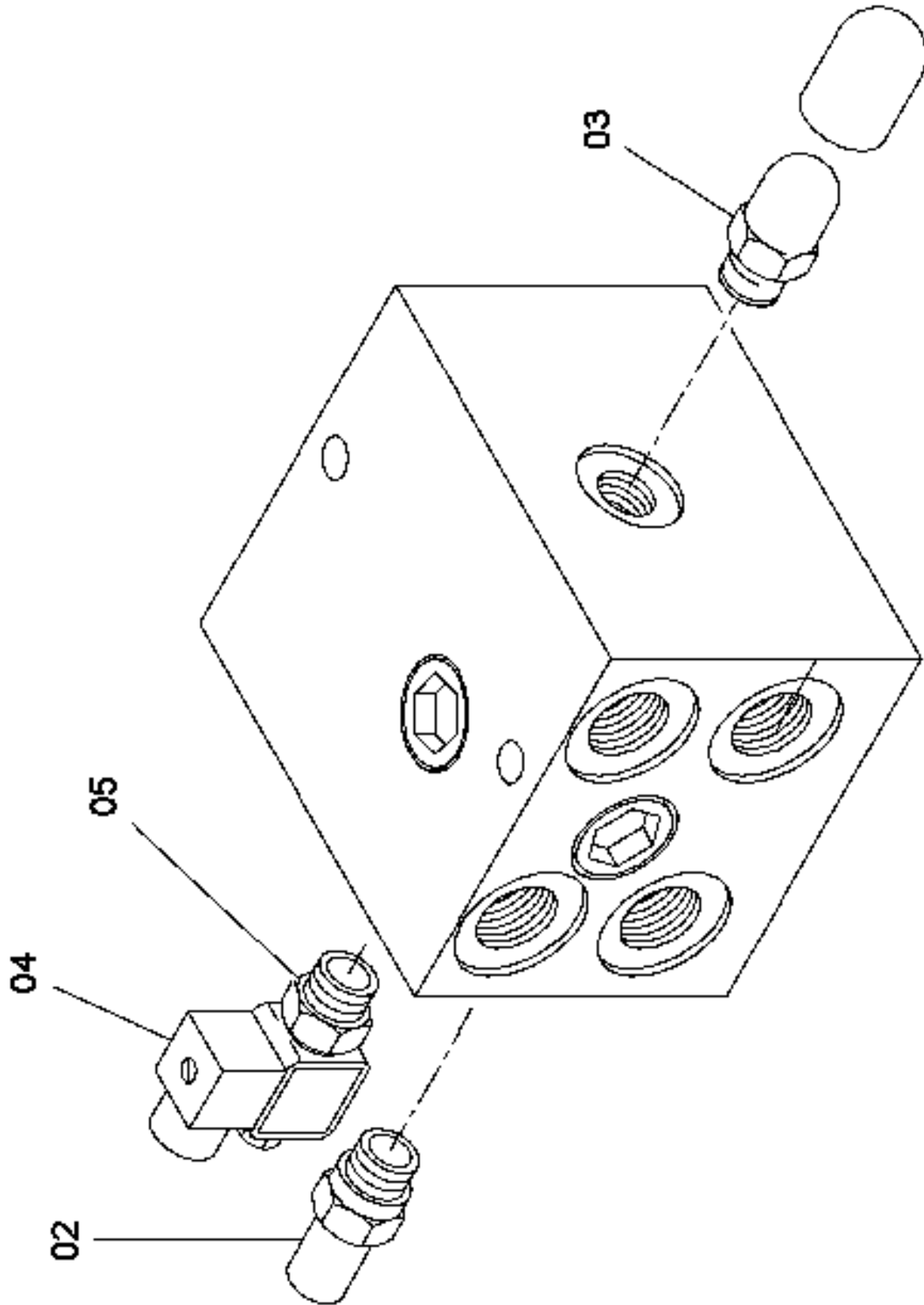
Wed Apr 01 20:36:50 MDT 2015

Item	Part No.	Name	Qty	L	SN INFO
1	D930452599	Quick connection	2		
2	D930452598	Quick connection	2		
3	D961951084	Male connector	4		
4	D963176082	Steering block	1		
5	D960845284	Hose	2		
7	D966055000	Hydr. motor			
8	D930664027	Protect hose	1		
9	D930664027	Protect hose	1		
10	D501570198	Protection	1		
11	D960852852	Hose			
12	D961919009	Swivel nut run tee	1		
13	4749220527	Stud	1		
14	4749220460	Stud	1		
15	4812001947	Pipe	1		
16	D960841406	Hose			
17	D961355011	Stud	1		
18	D961935108	Straight double-ended union	2		
19	4812001948	Pipe	1		
20	4812002069	Hose	1		
21	D961907008	Stud	2		
22	4812002070	Hose	1		
26	D961772637	Test connector	1		
30	4749300510	Clamp	2		
31	4749300384	Cover plate	2		
32	0147132903	Hex. head screw	2		

Refer to Parts Online for the most up to date information. The printed information might be outdated.

Wed Apr 01 20:36:50 MDT 2015

**Conveyor hydraulic** D963176082 Steering block



Refer to Parts Online for the most up to date information. The printed information might be outdated.

Wed Apr 01 20:36:50 MDT 2015

Item	Part No.	Name	Qty	L	SN INFO
2	D963085313	Flow regulation valve	1		
3	D963019313	Pressure limit valve	1		
4	D963125332	3/2 way valve	1		
5	D960644926	Magnet coil	1		

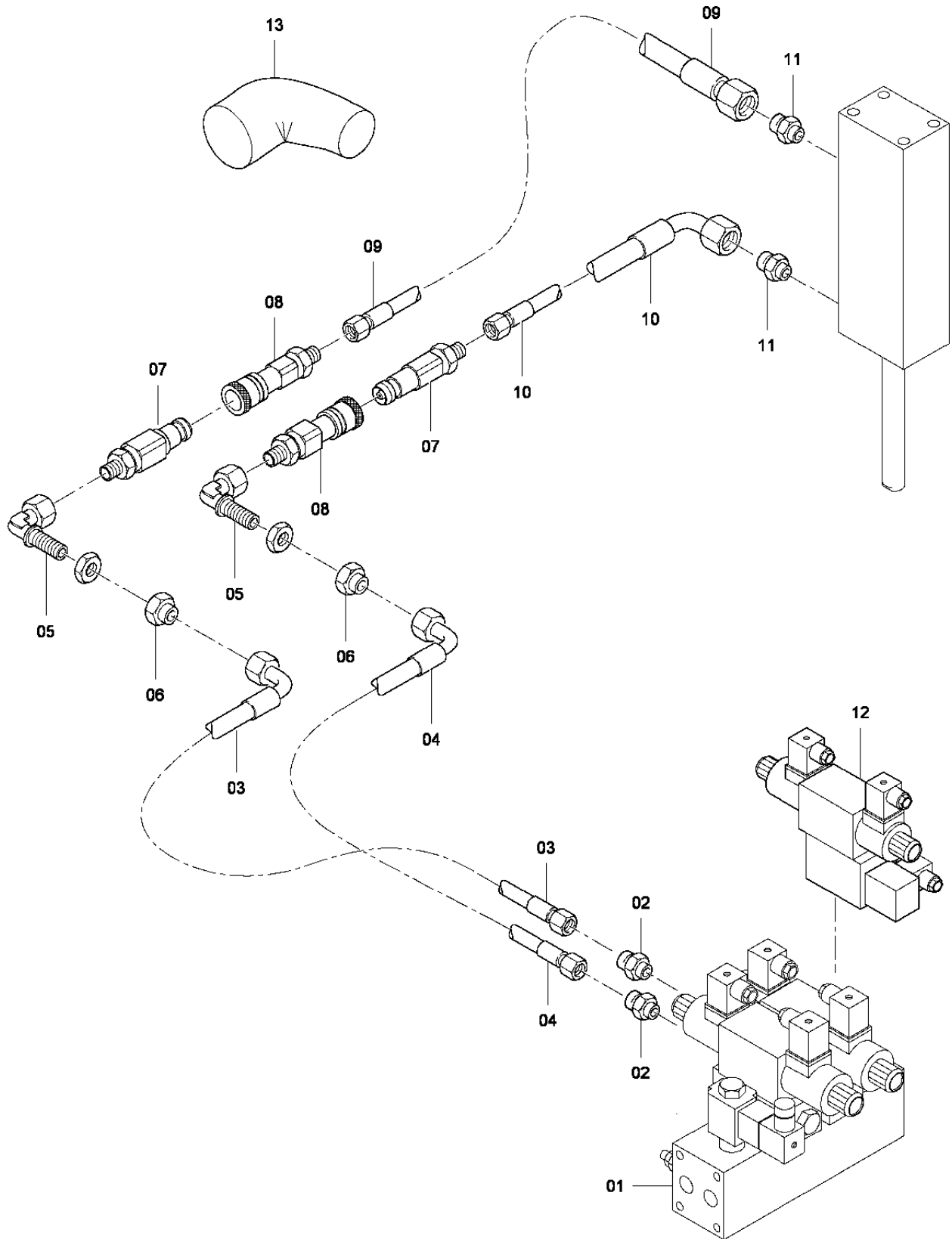
---

Refer to Parts Online for the most up to date information. The printed information might be outdated.

Wed Apr 01 20:36:50 MDT 2015



**Scraper hydraulic** Scraper hydraulic



Refer to Parts Online for the most up to date information. The printed information might be outdated.

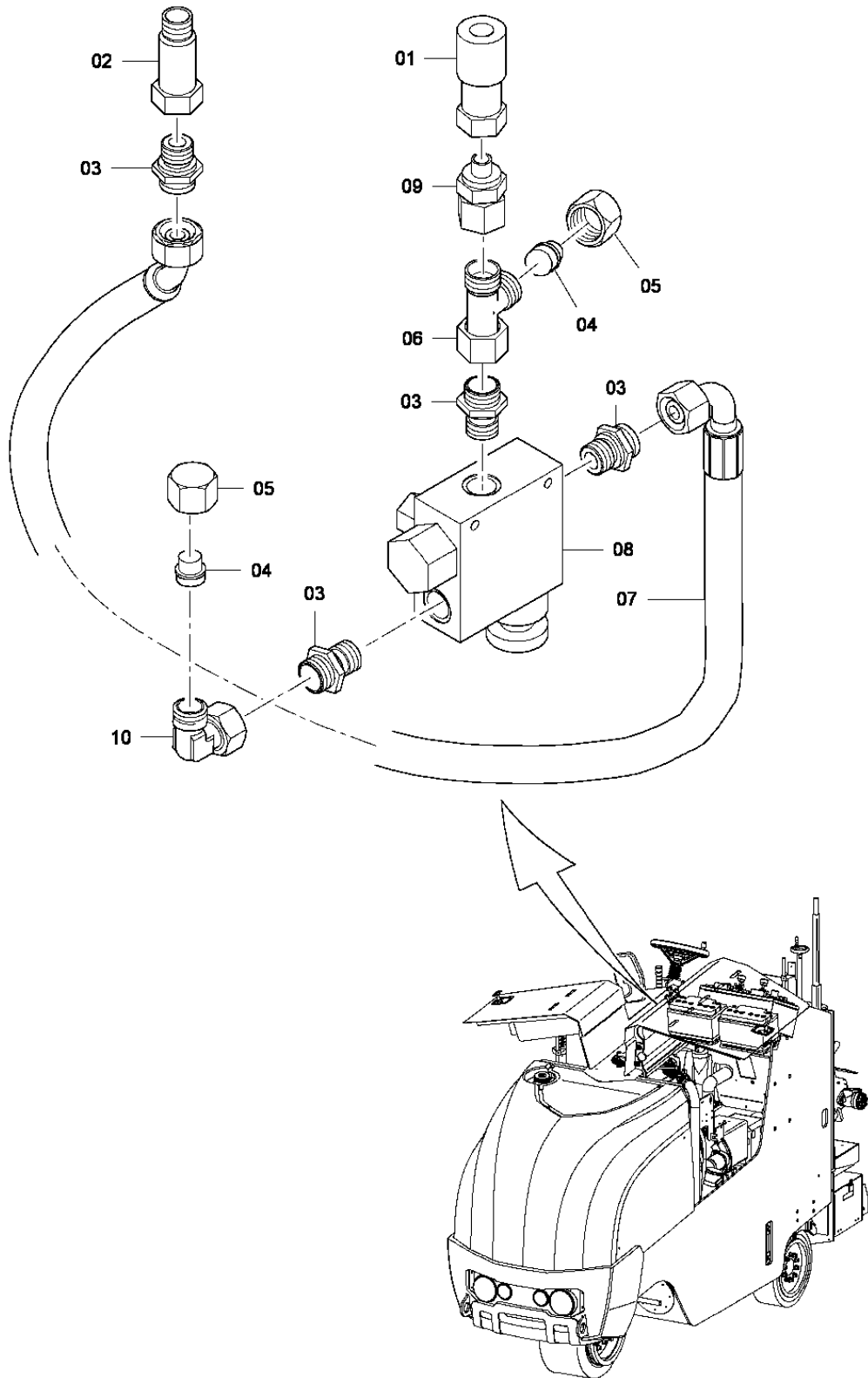
Wed Apr 01 20:36:50 MDT 2015

Item	Part No.	Name	Qty	L	SN INFO
1	D963176081	Steering block			
2	D961935103	Straight double-ended union	2		
3	4812002067	Hose	1		
4	4812002068	Hose	1		
5	D961907006	Elbow socket	2		
6	D961121006	Stud	2		
7	D933539217	Coupling plug	2		
8	D933538619	Coupling sleeve	2		
9	D960821514	Hose	1		
10	D960821404	Hose	1		
11	D961935106	Straight double-ended union	2		
12	D963176092	Steering block	2		
12_01	D963125333	2/2 way valve	1		
12_02	D963612216	Magnet	1		
12_03	D963142319	4/3 way valve	1		
13	D930664027	Protect hose	1		

Refer to Parts Online for the most up to date information. The printed information might be outdated.

Wed Apr 01 20:36:50 MDT 2015

**Hydraulic components** Hydraulic demolition hammer

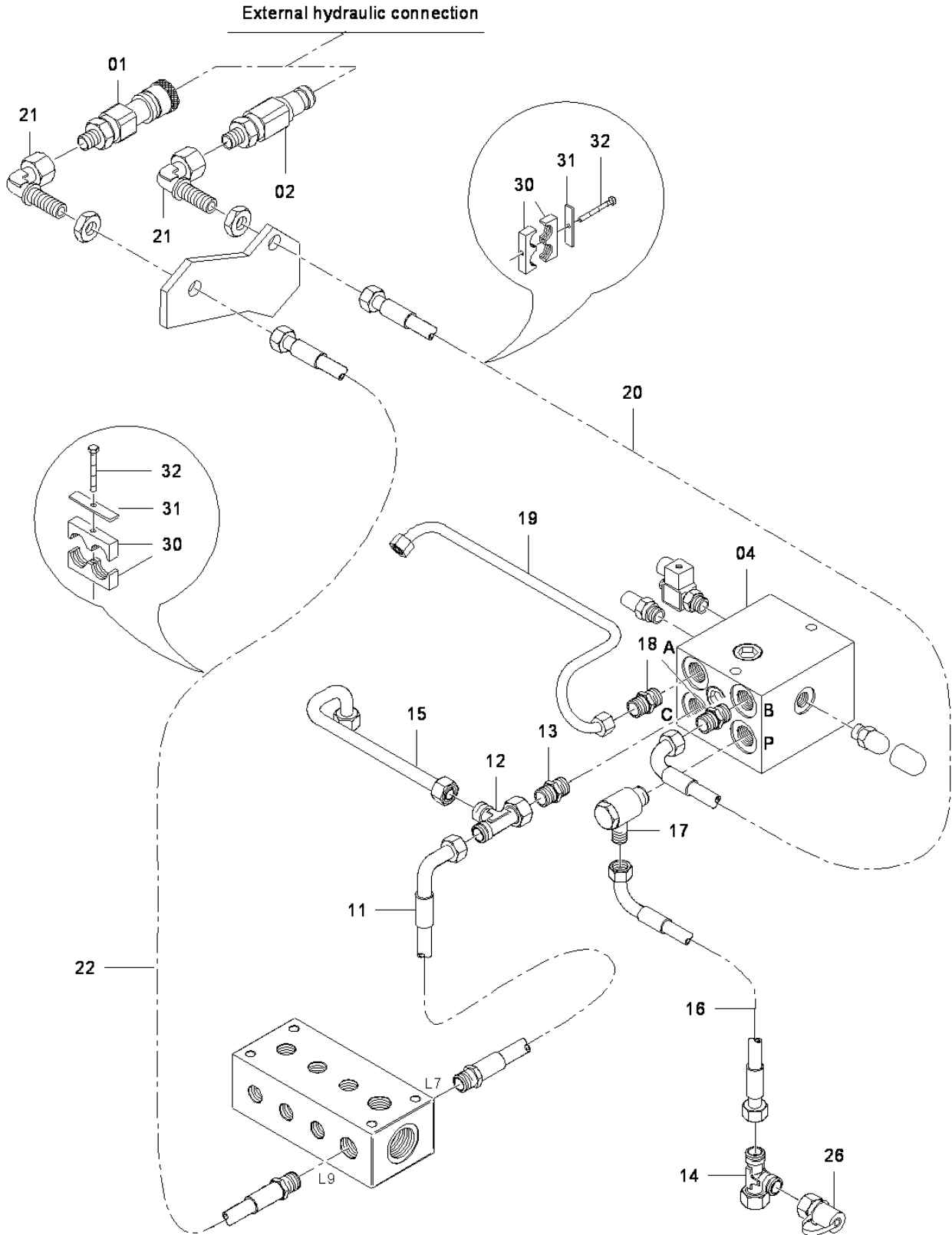


Refer to Parts Online for the most up to date information. The printed information might be outdated.

Wed Apr 01 20:36:50 MDT 2015

Item	Part No.	Name	Qty	L	SN INFO
1	D930452599	Quick connection	1		
2	D930452598	Quick connection	1		
3	D961935109	Straight double-ended union	4		
4	4749220343	Locking tappet	2		
5	D961102009	Nut	2		
6	4749220461	Stud	1		
7	4812003031	Hose	1		
8	4812001134	Flow control valve	1		
9	D961154109	Male connector	1		
10	D961917009	Elbow socket	1		

**Ext. Hydraulic connection** Ext. Hydraulic connection



Refer to Parts Online for the most up to date information. The printed information might be outdated.

Wed Apr 01 20:36:51 MDT 2015

Item	Part No.	Name	Qty	L	SN INFO
1	D930452599	Quick connection	1		
2	D930452598	Quick connection	1		
4	D963176082	Steering block	1		
11	D960852852	Hose			
12	D961919009	Swivel nut run tee	1		
13	4749220527	Stud	1		
14	4749220460	Stud	1		
15	4812001947	Pipe	1		
16	D960841406	Hose			
17	D961355011	Stud	1		
18	D961935108	Straight double-ended union	2		
19	4812001948	Pipe	1		
20	4812002069	Hose	1		
21	D961907008	Stud	2		
22	4812002070	Hose	1		
26	D961772637	Test connector	1		
30	4749300510	Clamp	2		
31	4749300384	Cover plate	2		
32	0147132903	Hex. head screw	2		

Refer to Parts Online for the most up to date information. The printed information might be outdated.

Wed Apr 01 20:36:51 MDT 2015

**Conveyor** Conveyor

**NO DRAWING  
AVAILABLE  
FOR THIS BOM**

Item	Part No.	Name	Qty	L	SN INFO
1		Conveyor			
2		Conveyor			
3		Conveyor			

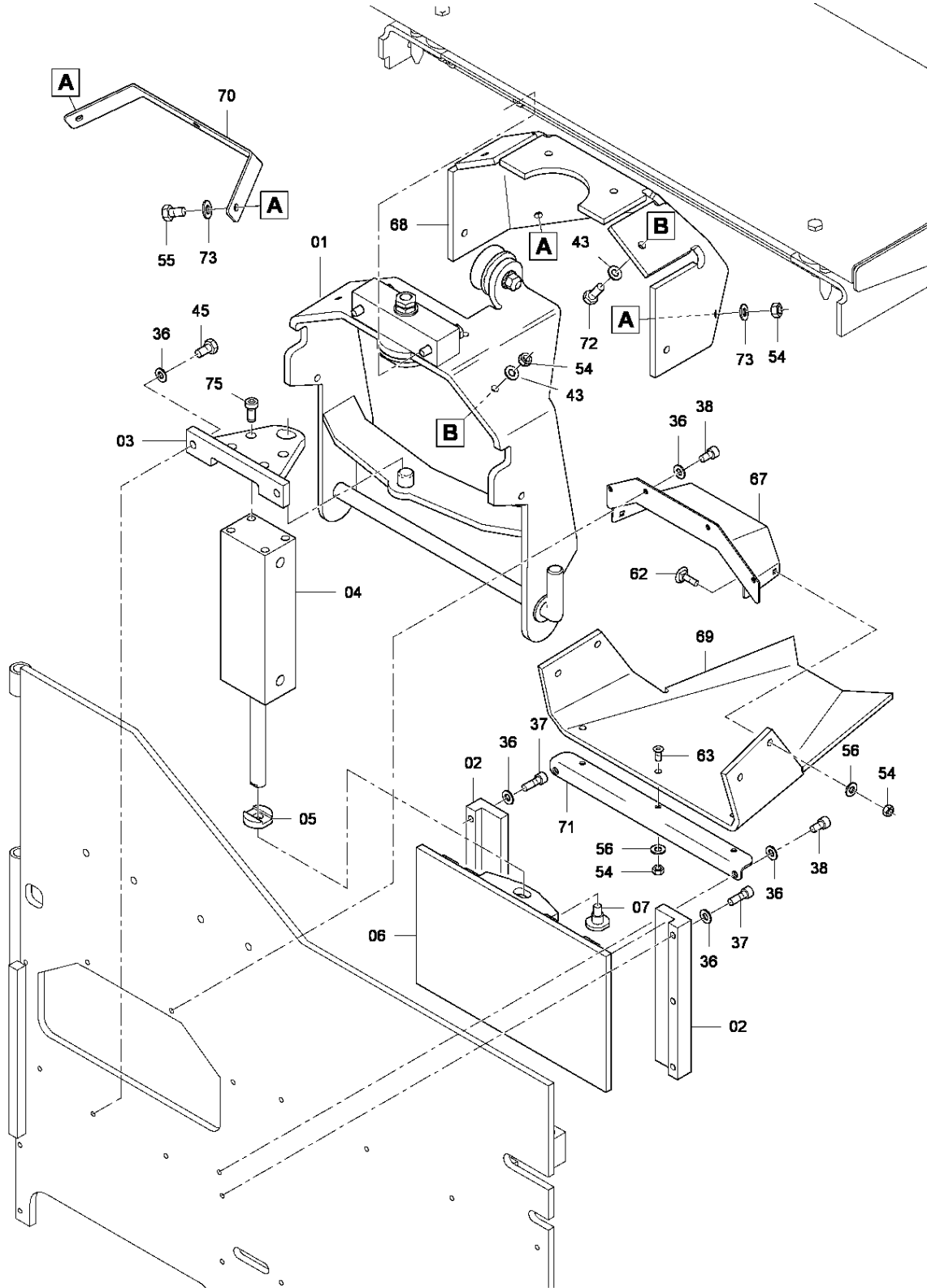
---

Refer to Parts Online for the most up to date information. The printed information might be outdated.

Wed Apr 01 20:36:51 MDT 2015



Conveyor Conveyor



Refer to Parts Online for the most up to date information. The printed information might be outdated.

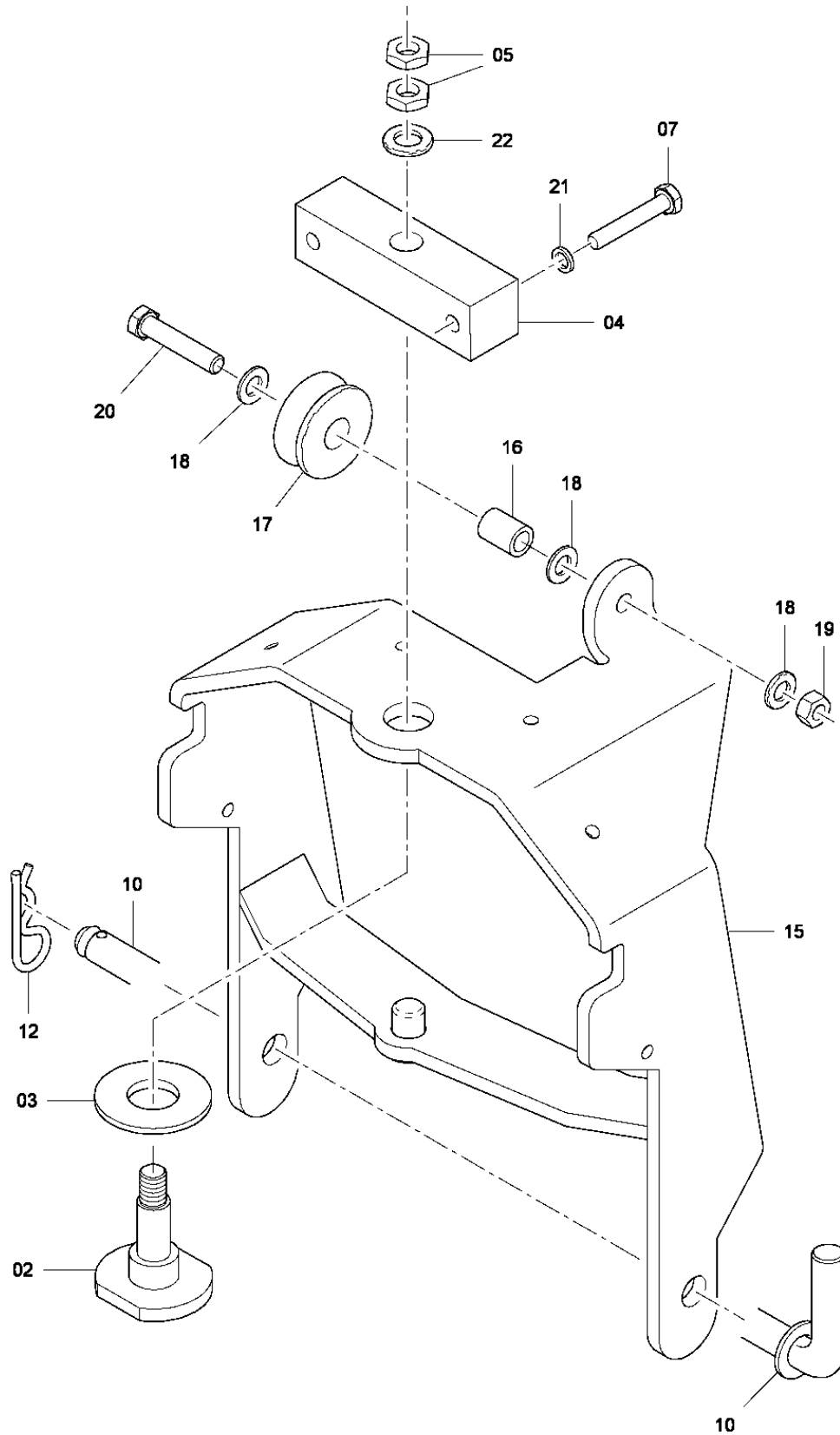
Wed Apr 01 20:36:51 MDT 2015

Item	Part No.	Name	Qty	L	SN INFO
1		Swivel arm	1		
2	D501530231	Guide	2		
3	D501530211	Angle	1		
4	D930256011	Hydraulic cylinder	1		
5	D501530233	Carrier	1		
6	D501530234	Stripper plate	1		
7	D501530339	Screw	1		
36	4749901806	Screw retention	20		
37	0211132603	Hexagon socket head cap screw	6		
38	0211132203	Hex sock. screw	6		
43	0301234400	Washer	4		
45	0147132303	Screw DIN933	2		
54	0266211000	Nut din934	11		
55	0147132503	Screw DIN933	3		
56	0301233500	Washer DIN125	7		
62	D937620375	Screw	4		
63	0216195761	Hex. Sock screw, M8x25, 8.8	3		
67	4812003457	Release plate	1		
68	4812003461	Spray guard	1		
69	4812003456	Rubber protection	1		
70	4812003481	Rubber casing	1		
71	D501530244	Rubber casing	1		
72	0147132603	Screw DIN933	6		
73	0301233500	Washer DIN125	6		
75	D939399544	Screw	4		

Refer to Parts Online for the most up to date information. The printed information might be outdated.

Wed Apr 01 20:36:51 MDT 2015

**Conveyor Swivel arm**



Refer to Parts Online for the most up to date information. The printed information might be outdated.

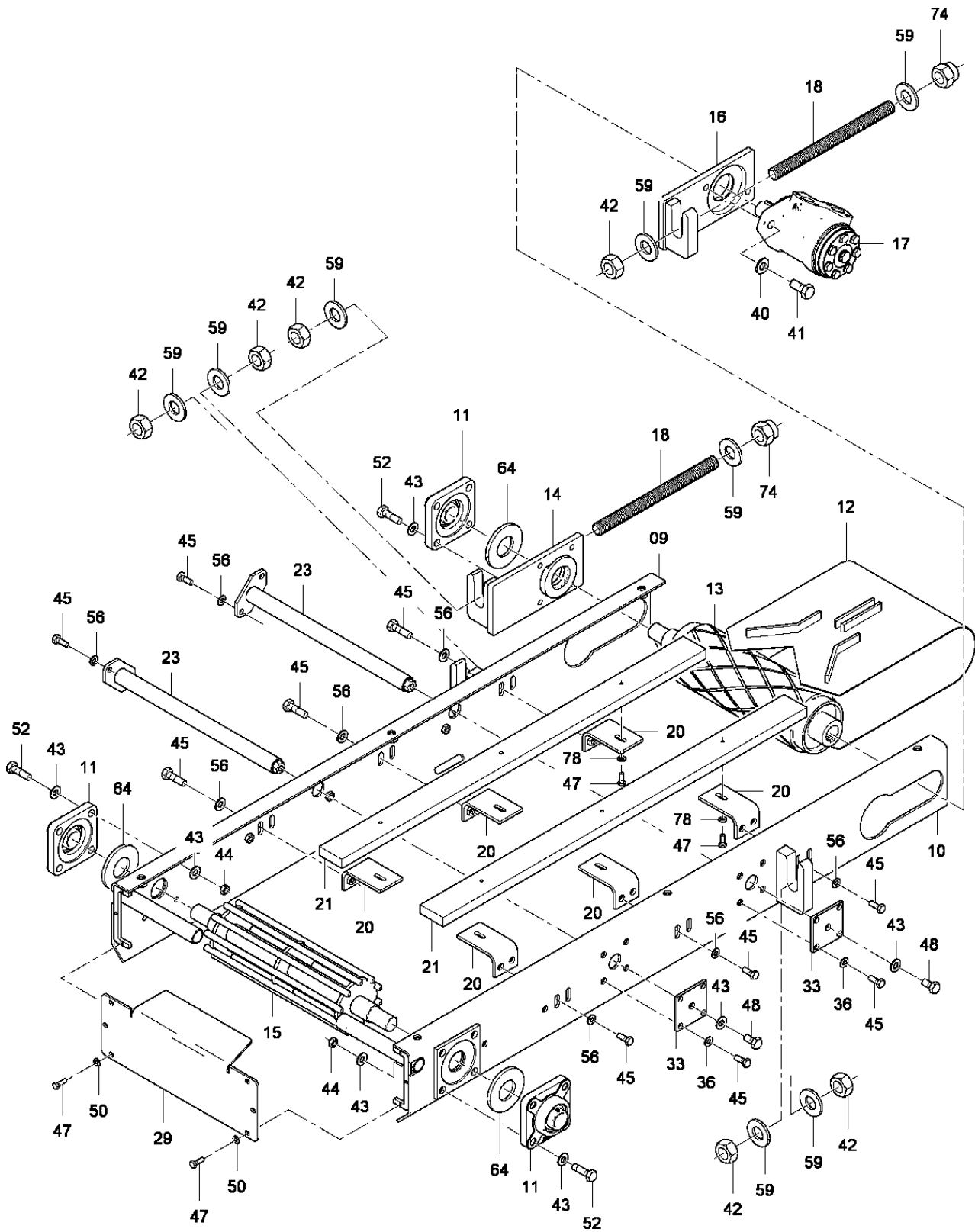
Wed Apr 01 20:36:51 MDT 2015

Item	Part No.	Name	Qty	L	SN INFO
2	D501530217	Screw	1		
3	D501530220	Disc	1		
4	D501530221	Distance piece	1		
5	D937193014	Nut	2		
7	0147136903	screw	2		
10	D501530224	Support	1		
12	D939725553	Spring pin	1		
15	D501530215	Swivel arm	1		
16	D501530352	Distance pipe	1		
17	D501530353	Sheave	1		
18	0301235800	Washer DIN125	3		
19	0266211200	Nut DIN934	1		
20	0147140703	Screw DIN933	1		
21	4749901807	Washer	2		
22	0301237800	Washer DIN125	1		

Refer to Parts Online for the most up to date information. The printed information might be outdated.

Wed Apr 01 20:36:51 MDT 2015

### Conveyor Conveyor



Refer to Parts Online for the most up to date information. The printed information might be outdated.

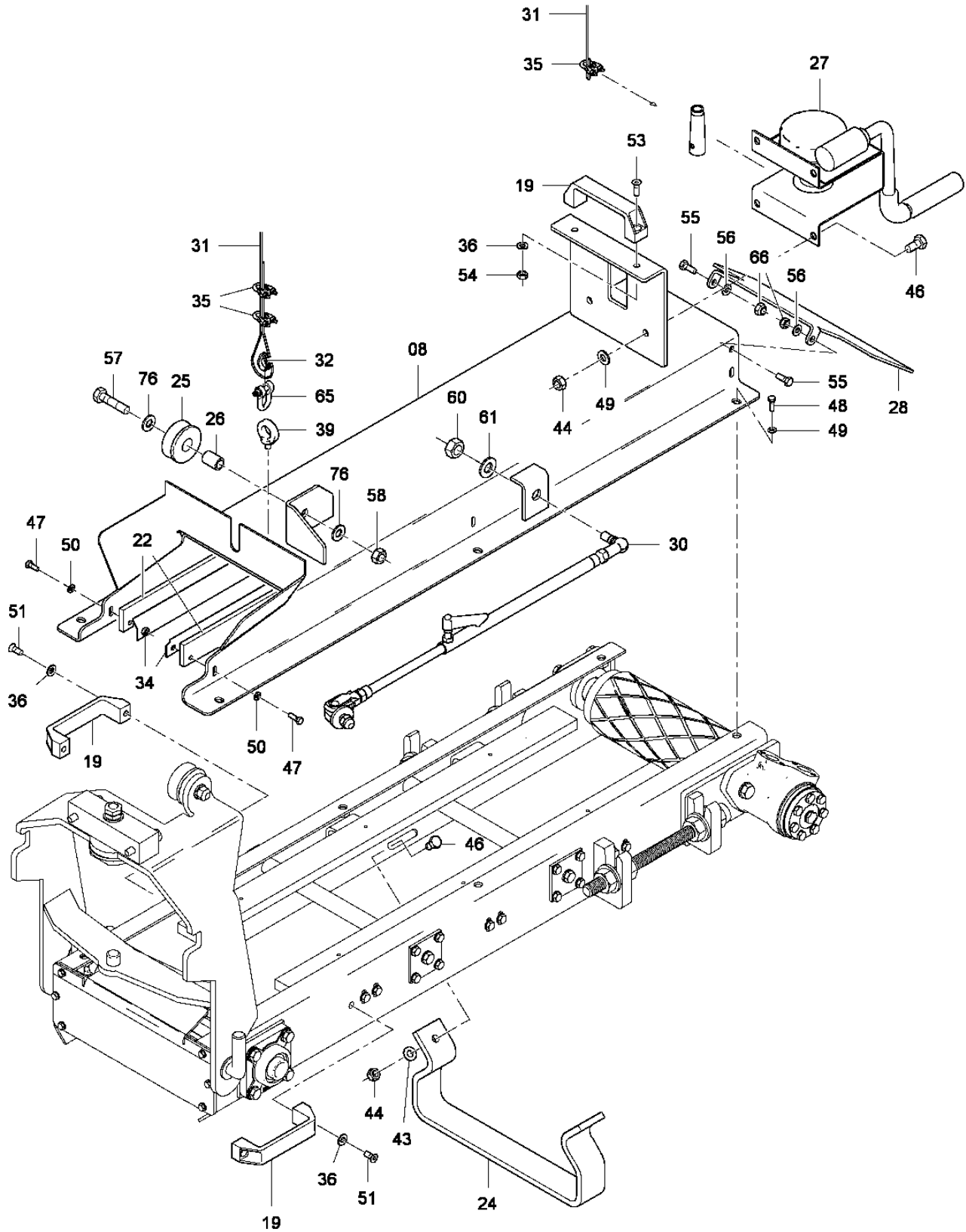
Wed Apr 01 20:36:51 MDT 2015

Item	Part No.	Name	Qty	L	SN INFO
9	D501530106	Covering	1		
10	D501530113	Cover, side	1		
11	D930300156	Bearing	3		
12	D930211468	Converyor belt	1		
13	D930117045	Drive rotor	1		
14	D501530121	Fastening	1		
15	D930460056	Drum	1		
16	D501530129	Fastening	1		
17	D966055000	Hydr. motor	1		
18	D930226043	Screw rod	2		
20	D501530147	Angle	6		
21	D930230611	Slide rail	2		
23	D501530125	Support	2		
29	D501530122	Cover plate	1		
33	D501530128	Sheet	2		
40	0301235800	Washer DIN125	4		
41	0147140103	Screw	2		
42	0266211600	Hexagon nut	6		
43	0301234400	Washer	22		
44	0266211100	Hexagon nut	2		
45	0147132303	Screw DIN933	18		
47	0147124703	Screw DIN933	4		
50	4749901860	Washer	4		
52	0147136403	Hex. head screw	12		
56	0301233500	Washer DIN125	6		
59	D939776129	Locking washer	8		
64	D501530136	Disc	3		
74	5730007674	Hexagon nut	2		
78	0301232100	Washer	12		

Refer to Parts Online for the most up to date information. The printed information might be outdated.

Wed Apr 01 20:36:51 MDT 2015

Conveyor Conveyor



Refer to Parts Online for the most up to date information. The printed information might be outdated.

Wed Apr 01 20:36:52 MDT 2015

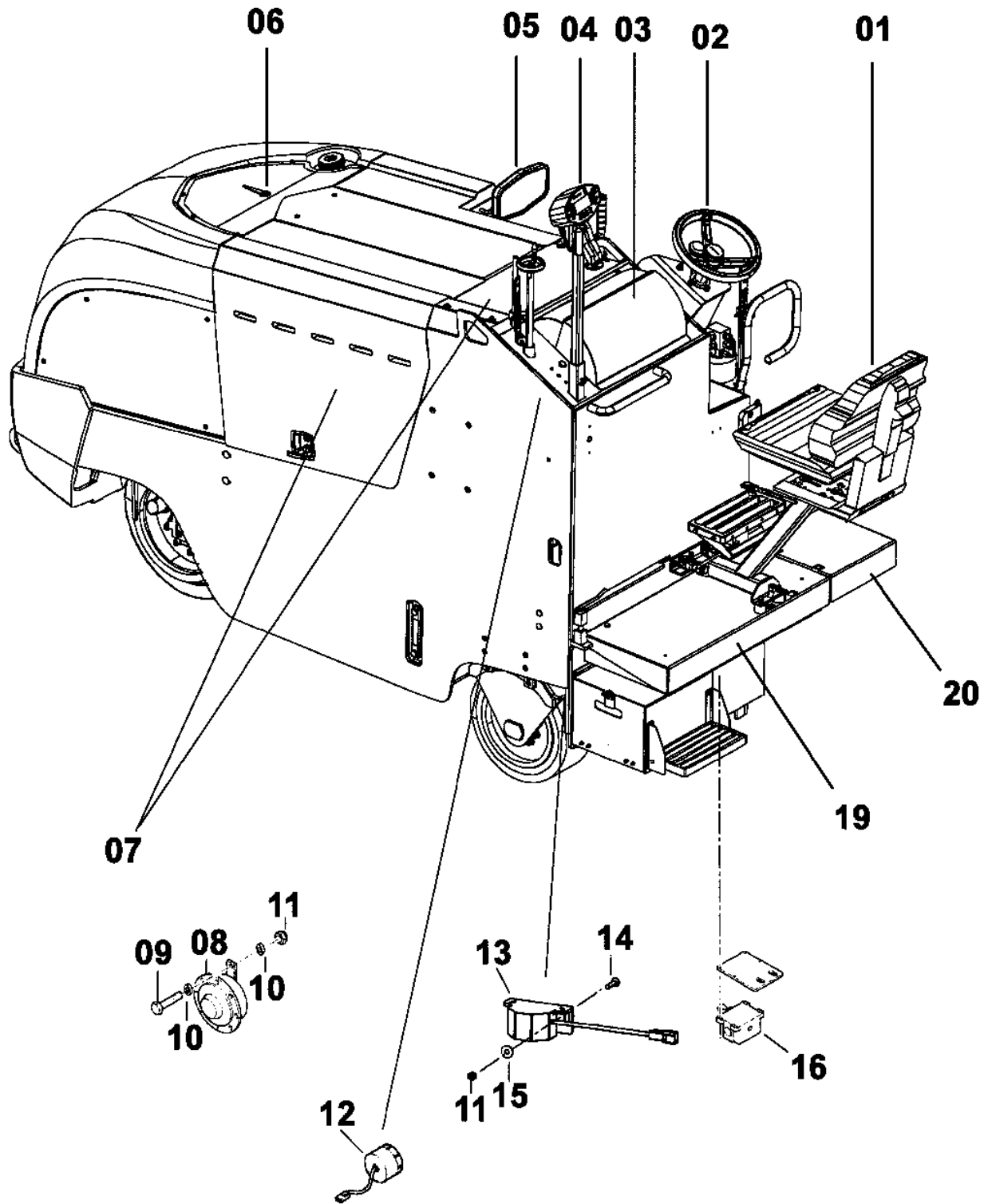
Item	Part No.	Name	Qty	L	SN INFO
8	D501530102	Cover	1		
19	D930136776	Bow type handle	3		
22	D501530124	Guide rail	2		
24	D501530127	Holder	1		
25	D501530353	Sheave	1		
26	D501530352	Distance pipe	1		
27	D930540829	Winch	1		
27_01	D501530159	Pipe	1		
28	D501530361	Ejector flap	1		
30	D501530354	Bracing, compl.	1		
31	4749302091	Steel wire	1		
32	4749301573	Thimble	1		
34	D501530249	Cover, guide rail	2		
35	D930421804	Rope clamp	3		
36	4749901806	Screw retention	12		
39	D937582014	Ring eye bolt	1		
43	0301234400	Washer	2		
44	0266211100	Hexagon nut	4		
46	0147136203	Hex. head screw	6		
47	0147124703	Screw DIN933	2		
48	0147136003	Hex. head screw	8		
49	4749901807	Washer	12		
50	4749901860	Washer	6		
51	0211132303	Hex. Sock screw, M6S M8x20 8.8 fzb	4		
53	0211132503	Hex. Sock. Screw, MCS6 M8x25	2		
54	0266211000	Nut din934	6		
55	0147132503	Screw DIN933	2		
56	0301233500	Washer DIN125	2		
57	0147140603	Screw DIN931	1		
58	0266211200	Nut DIN934	1		
60	0266211400	Hexagon nut	1		
61	4749901809	Schnorr-lock washer	1		
65	D930440021	Clevis	1		
66	0291111000	Nut DIN985	2		
76	0301235800	Washer DIN125	3		

Refer to Parts Online for the most up to date information. The printed information might be outdated.

Wed Apr 01 20:36:52 MDT 2015



**Drivers platform** Drivers platform

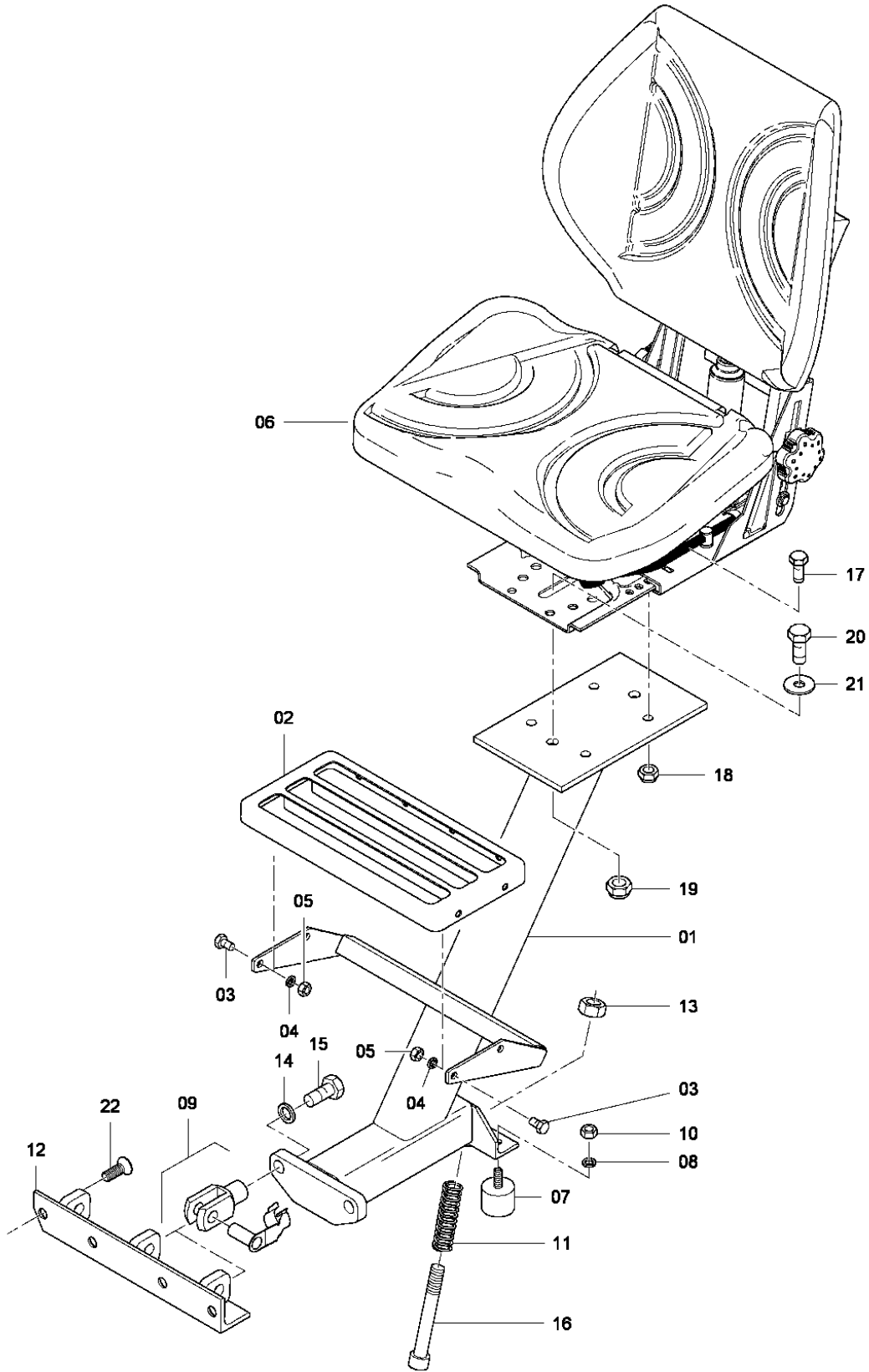


Refer to Parts Online for the most up to date information. The printed information might be outdated.

Wed Apr 01 20:36:52 MDT 2015

Item	Part No.	Name	Qty	L	SN INFO
1		Seat			
2		Steering control unit			
3		Operators panel			
3		Vandalism protection compl.			
4		Levelling system, MOBA Option			
5		Mirror			
6		Pointer			
7		Battery holder, Disconnecter			
8	4700999014	Horn	1		
9	0147132603	Screw DIN933	1		
10	4700904229	Steel plain washer 8.4X16X1.5	2		
11	0266211000	Nut din934	3		
12	4812001167	Back-up alarm	1		
13	4700904911	Back-up alarm	1		
14	4700513017	Screw	2		
15	4700928381	Washer, 6.4 x 18 x 1.6 mm	2		
16	D977522357	Switch	1		
17	0301231500	Plain washer	4		
18	0147117303	Hex. head screw	4		
19		Operators platform			
20		Foot plate enlargement Option			

**Seat Seat**



Refer to Parts Online for the most up to date information. The printed information might be outdated.

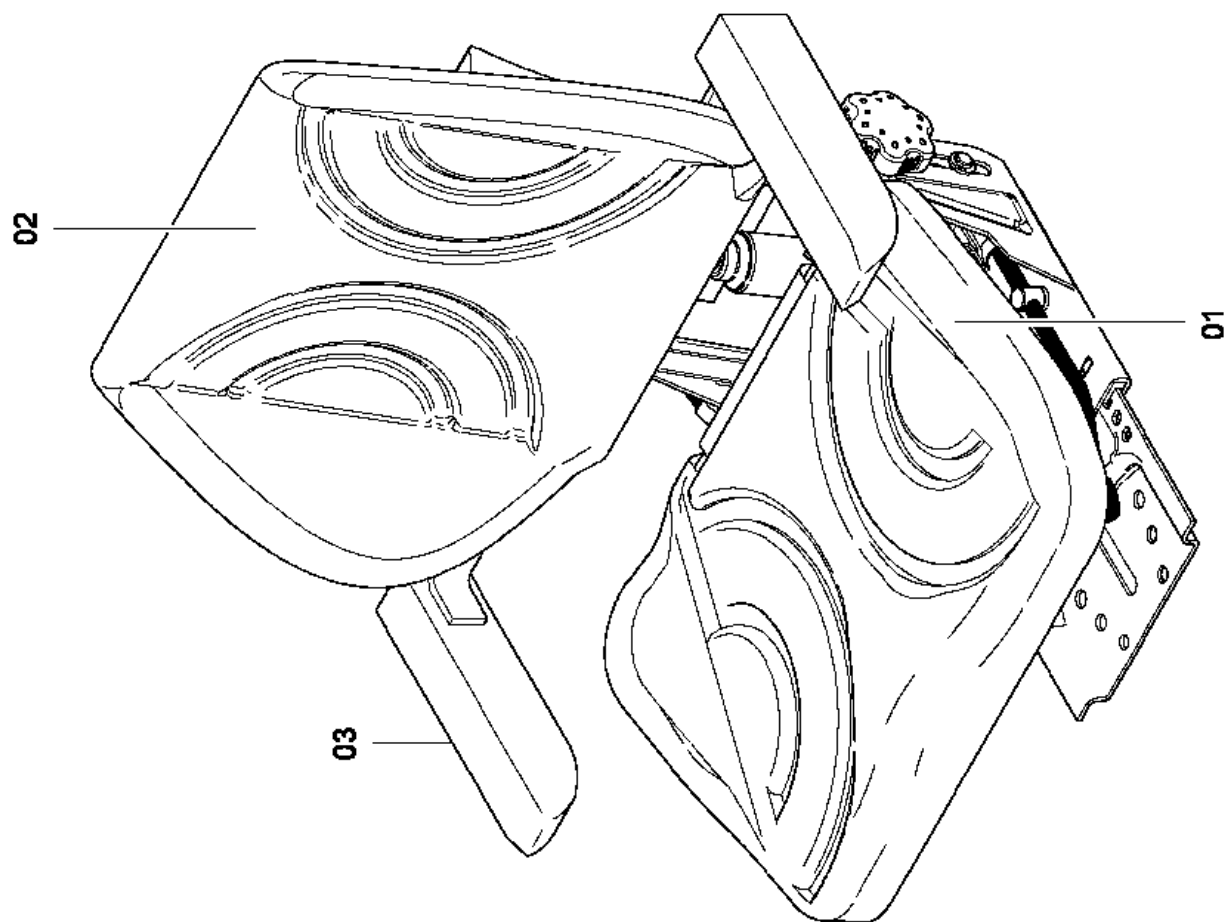
Wed Apr 01 20:36:53 MDT 2015

Item	Part No.	Name	Qty	L	SN INFO
1	D501110225	Seat holder	1		
2	D930118503	Grate	1		
3	D499018630	Screw	4		
4	4749901806	Screw retention	4		
5	0266211000	Nut din934	4		
6	D953420303	Drivers seat	1		
7	D930235508	Rubber buffer	2		
8	4749901807	Washer	2		
9	D934803732	Fork head	2		
9_01	D934804732	Fork head	1		
9_02	4749900259	Locking pin	1		
10	0266211100	Hexagon nut	2		
11	4812274870	Spring	1		
12	D501110218	Seat holder	1		
13	0266211400	Hexagon nut	1		
14	4749901809	Schnorr-lock washer	2		
15	5530879900	Hexagon head bolt	2		
16	0211149203	Hexagon socket head cap screw	1		
17	0147136303	Screw	4		
18	5541396800	Hexagon nut	4		
19	0291111200	Nut DIN985	2		
20	0147140103	Screw	2		
21	0300013042	Flat washer	2		
22	5730007825	Countersunk screw	4		
23	4700904232	Steel plain washer	2		

Refer to Parts Online for the most up to date information. The printed information might be outdated.

Wed Apr 01 20:36:53 MDT 2015

**Seat** D953420303 Driver seat



Refer to Parts Online for the most up to date information. The printed information might be outdated.

Wed Apr 01 20:36:53 MDT 2015

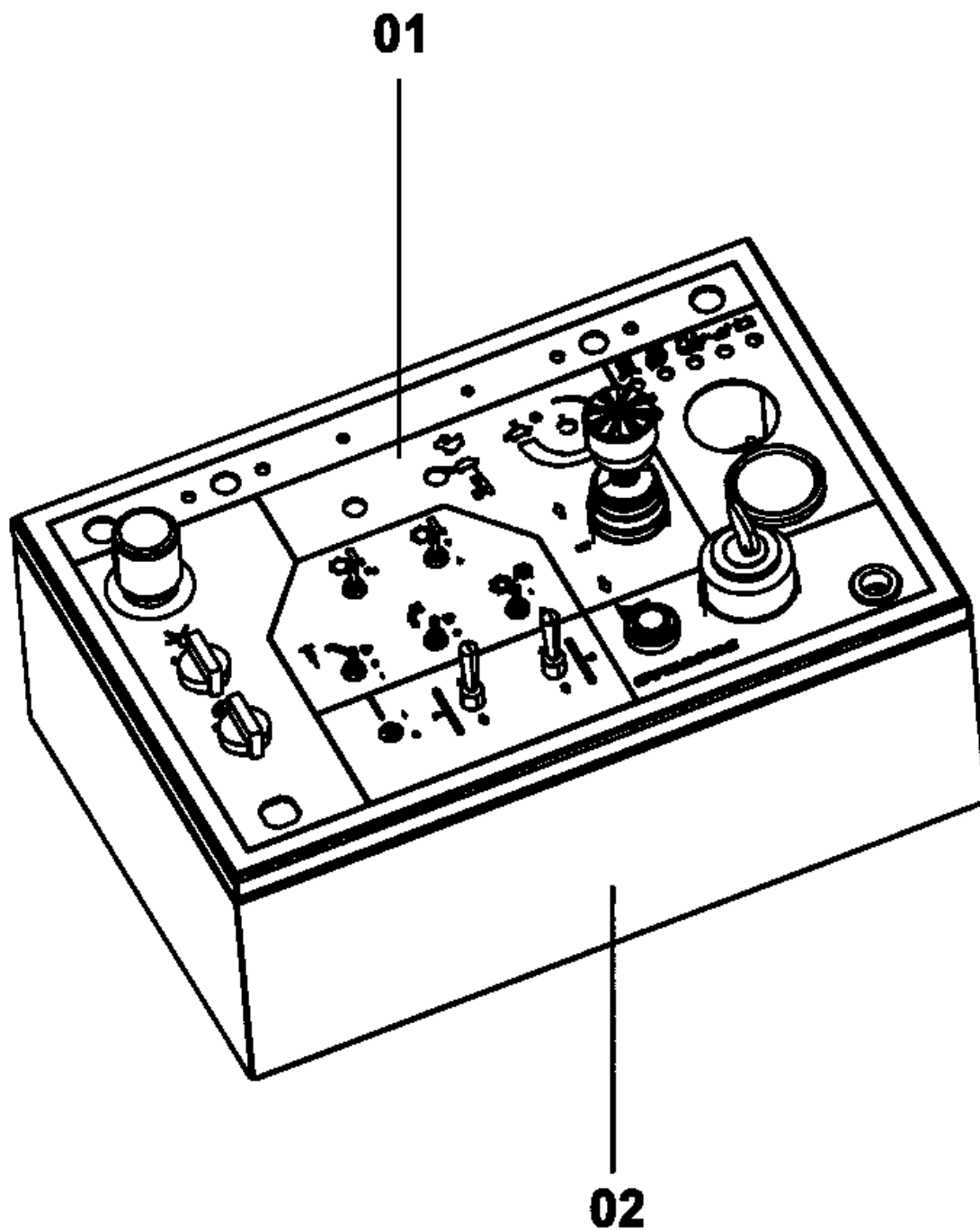
Item	Part No.	Name	Qty	L	SN INFO
1	4812002191	Seat cushion	1		
2	4812002192	Seat back	1		
3	4812002193	Arm rest	1		

---

Refer to Parts Online for the most up to date information. The printed information might be outdated.

Wed Apr 01 20:36:53 MDT 2015

**Operators panel** Operators panel



Refer to Parts Online for the most up to date information. The printed information might be outdated.

Wed Apr 01 20:36:53 MDT 2015

Item	Part No.	Name	Qty	L	SN INFO
1		Operator panel			
2		Operator panel			

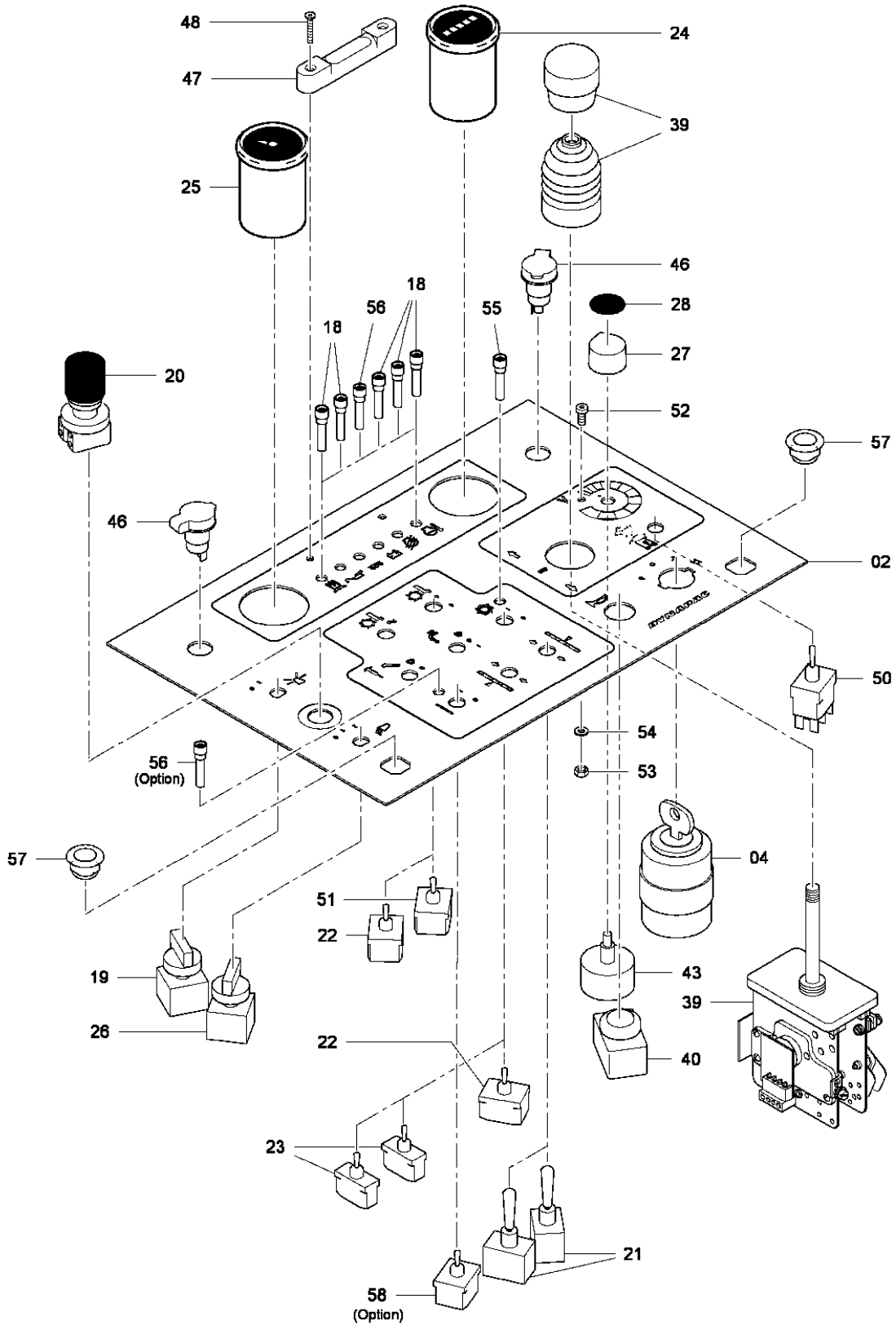
---

Refer to Parts Online for the most up to date information. The printed information might be outdated.

Wed Apr 01 20:36:53 MDT 2015



**Operators panel** Operator panel



Refer to Parts Online for the most up to date information. The printed information might be outdated.

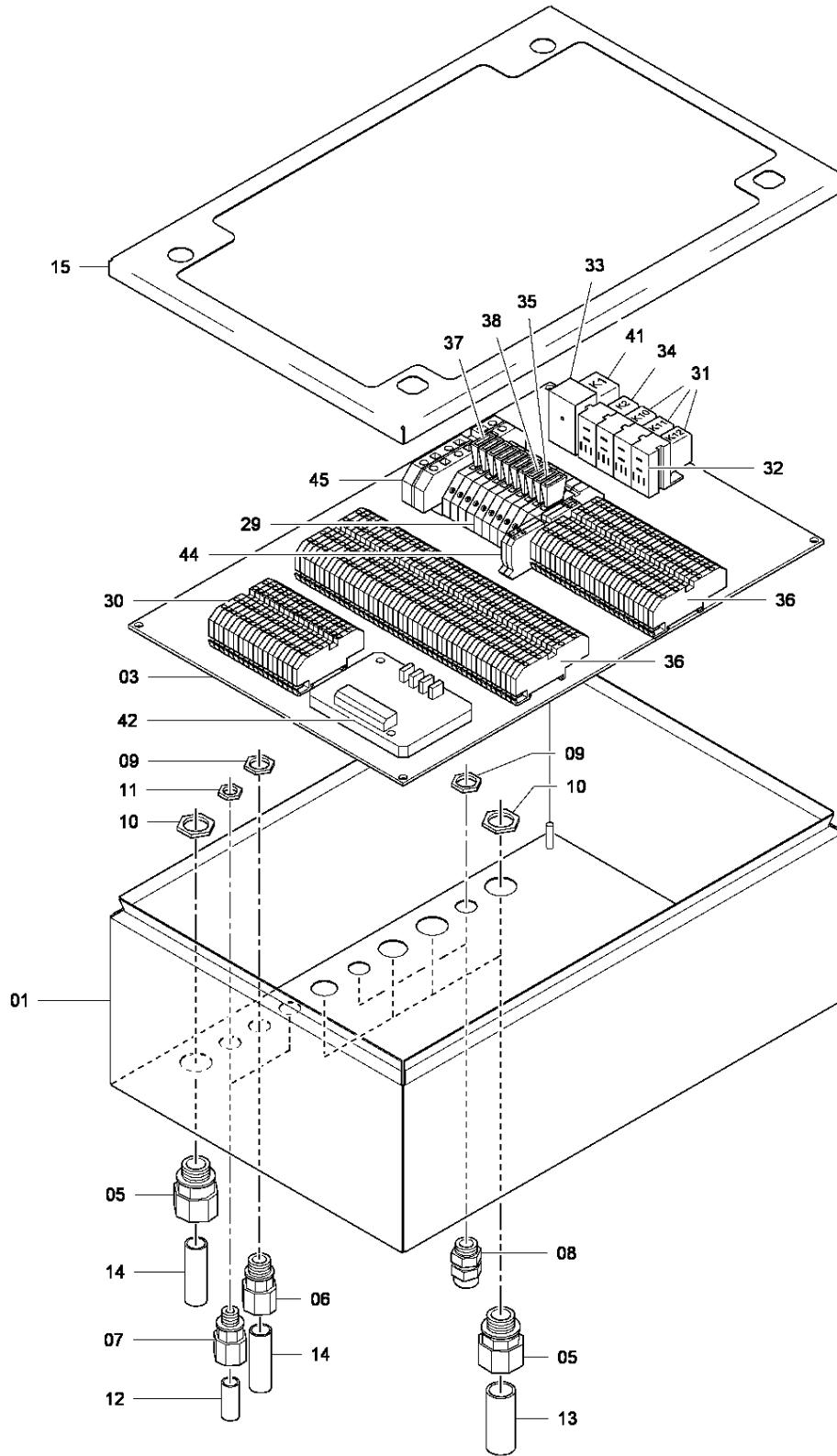
Wed Apr 01 20:36:53 MDT 2015

Item	Part No.	Name	Qty	L	SN INFO
2	4812001974	Panel	1		
4	D977520011	glow-start switch	1		
18	4749100744	Diode	5		
19	D977512168	Rotary switch	1		
20	D977580229	Emergency push button	1		
21	D977532036	Toggle switch	2		
22	D977532030	Toggle switch	2		
23	D977532019	Toggle switch	2		
24	D977010512	Hour meter	1		
25	D977018411	Temperature gauge	1		
26	D977512171	Rotary switch	1		
27	D977599040	Control knob	1		
28	D977599041	Cover	1		
39	4812117573	Forward-reverse control	1		
40	4749100425	Press button switch	1		
43	D977188106	Potentiometer	1		
46	D977467011	Mounting socket	2		
47	D956188650	Water level	1		
48	D939475063	Screw	2		
50	4812002991	Toggle switch	1		
51	D977532031	Toggle switch	1		
52	0215000340	Hexagon socket head cap screw	1		
53	0266210700	Hexagon nut	1		
54	0301231800	Washer DIN125	1		
55	4749100745	Diode	1		
56	4749100446	Illuminated diode, yellow	2		
57	D930406052	Locking bar	2		
58	D977532017	Toggle switch	1		

Refer to Parts Online for the most up to date information. The printed information might be outdated.

Wed Apr 01 20:36:53 MDT 2015

**Operators panel** Operator panel



Refer to Parts Online for the most up to date information. The printed information might be outdated.

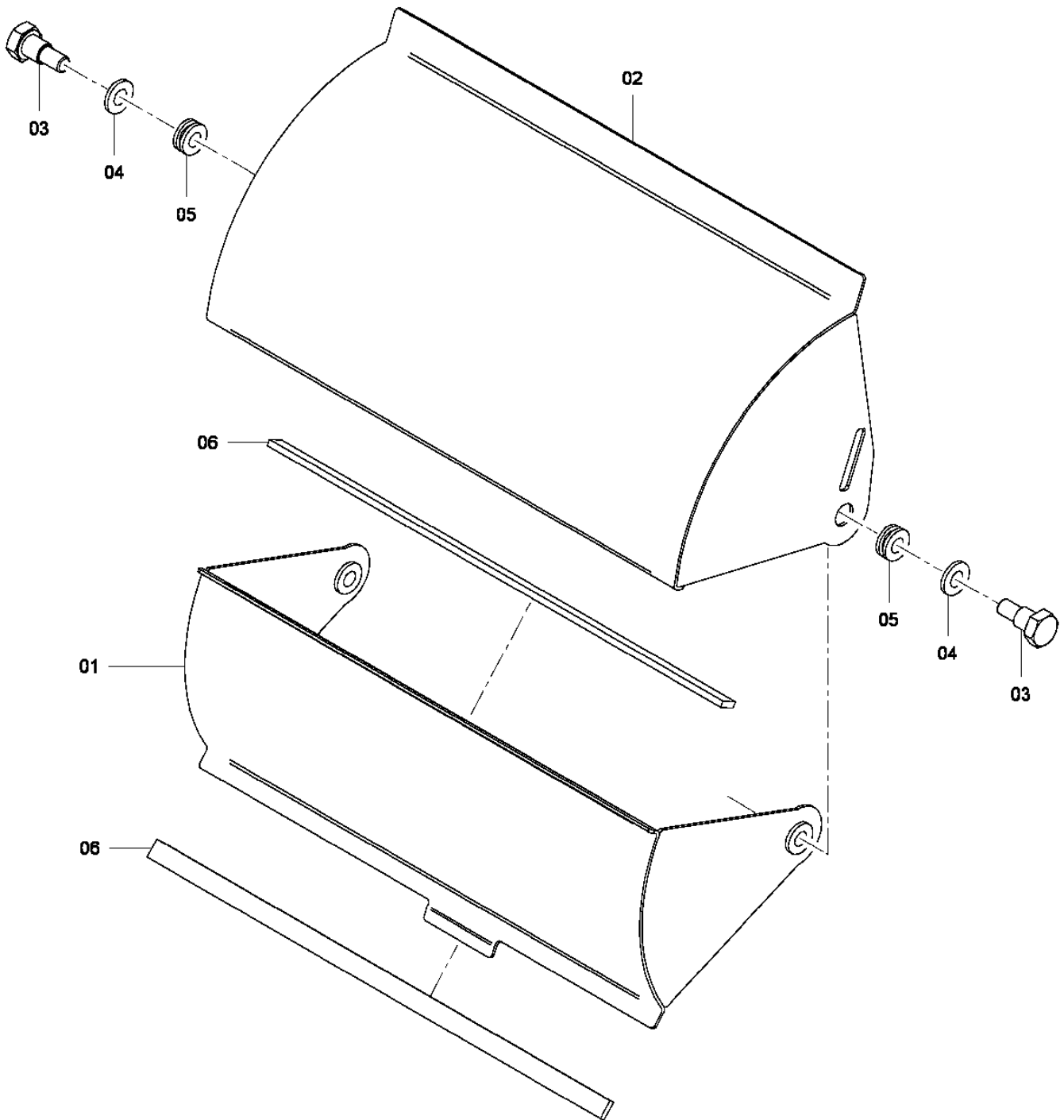
Wed Apr 01 20:36:53 MDT 2015

Item	Part No.	Name	Qty	L	SN INFO
1	D501580103	Operator panel, lower part	1		
3	D501580108	Mounting plate	1		
5	D977415420	SEM-quick connection	5		
6	D977415415	Quick fastening	1		
7	D977415412	Quick fastening	2		
8	D977417116	Cable screwing	2		
9	D977416517	Counter nut	3		
10	D977416520	Nut	5		
11	D977416512	Counter nut	2		
12	D977418901	Corrugated pipe x m	2		
13	D977418903	Corrugated pipe x m, NW17	4		
14	D977418902	Corrugated pipe x m	2		
15	D501580104	Operator panel, top part	1		
29	D977425101	Fuse clamp	10		
30	D977425136	Diode terminal	18		
31	D977730412	Micro relay	3		
32	D977729013	Relay socket	4		
33	D977729010	Relay socket	1		
34	D977730412	Micro relay	1		
35	D977454252	Fuse	1		
36	D977425188	Clamp	70		
37	D977454254	Fuse	8		
38	D977454255	Fuse	1		
39	D977453072	Fuse	1		
41	D977730415	Relay	1		
42	D978008056	Amplifier	1		
44	D977425196	Terminal	2		
45	D977425208	Through clamp	2		

Refer to Parts Online for the most up to date information. The printed information might be outdated.

Wed Apr 01 20:36:53 MDT 2015

**Drivers platform** Vandalism protection compl.



Refer to Parts Online for the most up to date information. The printed information might be outdated.

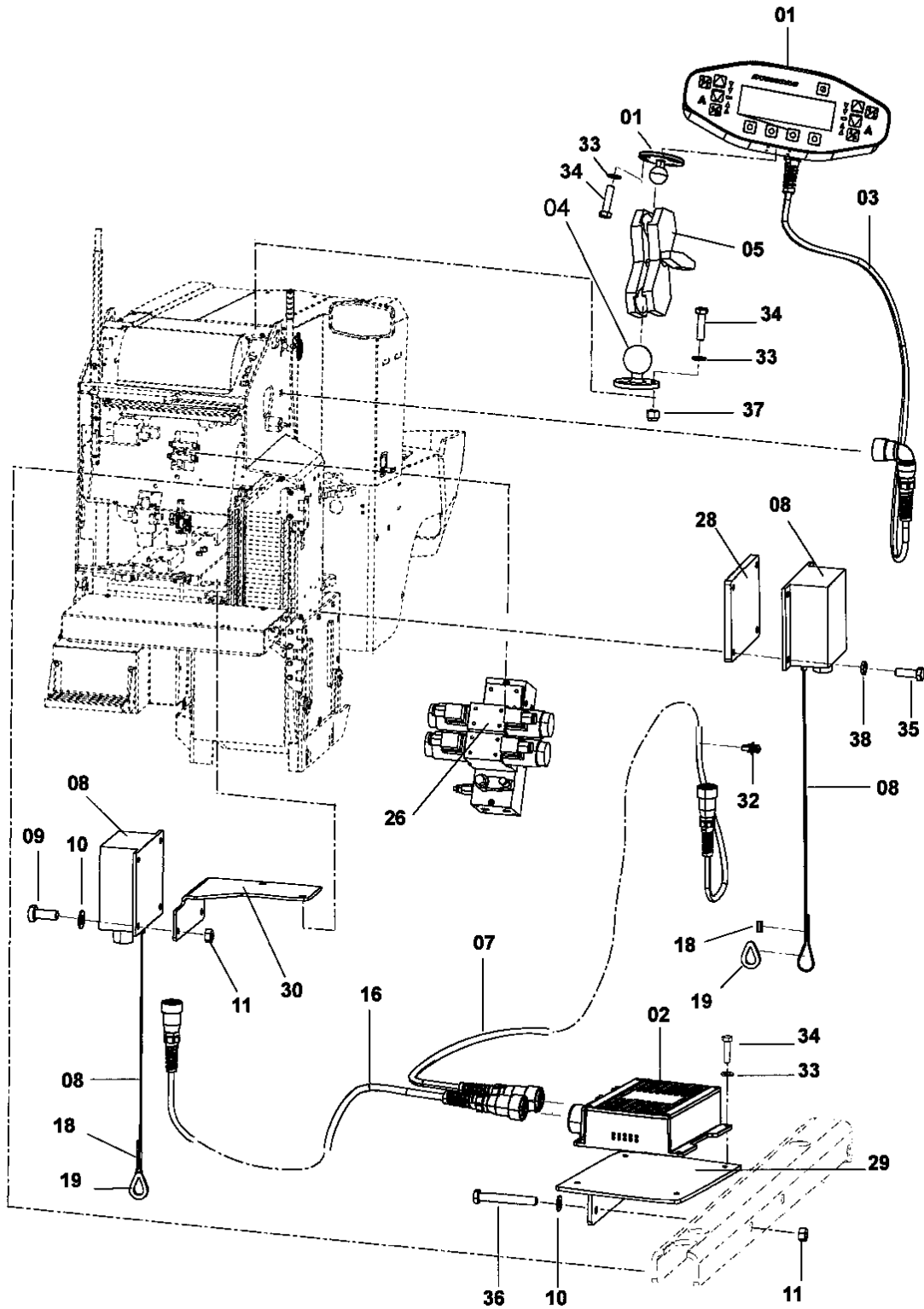
Wed Apr 01 20:36:54 MDT 2015

Item	Part No.	Name	Qty	L	SN INFO
1	4812000536	Flap	1		
2	4812000539	Flap	1		
3	D503212502	Screw	2		
4	0301237800	Washer DIN125	2		
5	D977418111	Cable sleeve	4		
6	4749302027	Sealing	1		

Refer to Parts Online for the most up to date information. The printed information might be outdated.

Wed Apr 01 20:36:54 MDT 2015

Drivers platform Levelling system, MOBA Option



Refer to Parts Online for the most up to date information. The printed information might be outdated.

Wed Apr 01 20:36:54 MDT 2015

Item	Part No.	Name	Qty	L	SN INFO
1	4812003633	Display compl.	1		
1	D977090001	Universal joint	1		
2	4812118256	MOBA controller	1		
3	D900655052	Cable	1		
4	D977090001	Universal joint	1		
5	D977090003	Holder	1		
7	4812001986	Cable	1		
8	4812118180	Cable sensor	2		
8	D900625243	Steel wire 500 mm	1	10	
9	0147132303	Screw DIN933	2		
10	0301233500	Washer DIN125	4		
11	0266211000	Nut din934	4		
16	D504080409	Cable	1		
18	D977409030	Connector	2		
19	D930280352	Thimble	2		
26	4812002635	Valve block	1		
28	4812002943	Plate	1		
29	4812117795	Bracket	1		
30	4812003091	Holder	1		
32	4700792602	Cable tie with holder	4		
33	4700904281	Washer, 5,3x10x1 300HV	8		
34	0147120803	Hex. head screw	8		
35	0147132503	Screw DIN933	4		
36	0147133303	HEX. HEAD SCREW	2		
37	4700586001	Lock nut	4		
38	4700901233	Washer	4		

Comments for Page: Levelling system, MOBA Option

(L)OCAL REMARKS

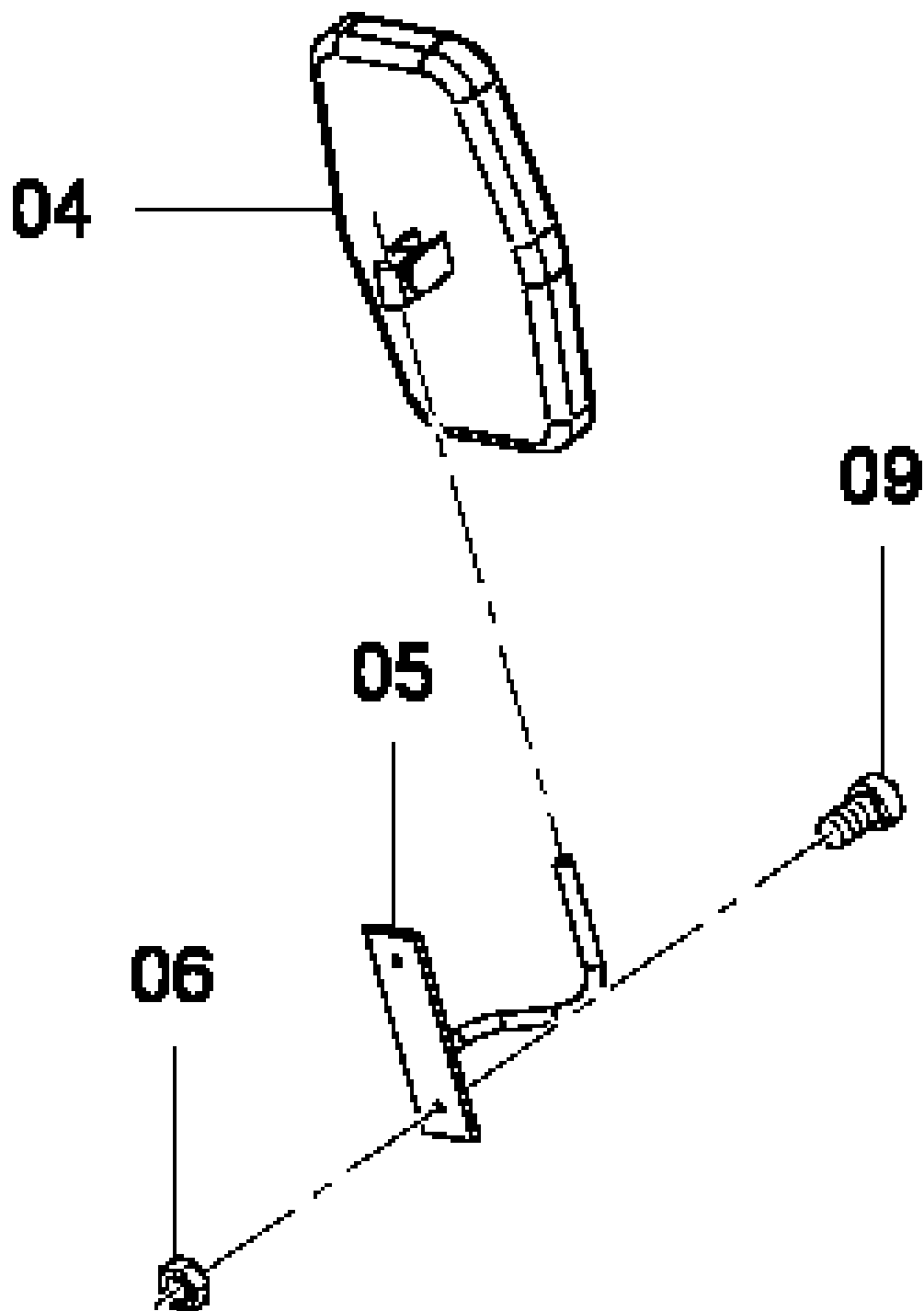
10 | en\_US | L=500mm

Refer to Parts Online for the most up to date information. The printed information might be outdated.

Wed Apr 01 20:36:54 MDT 2015



**Drivers platform Mirror**



Refer to Parts Online for the most up to date information. The printed information might be outdated.

Wed Apr 01 20:36:54 MDT 2015

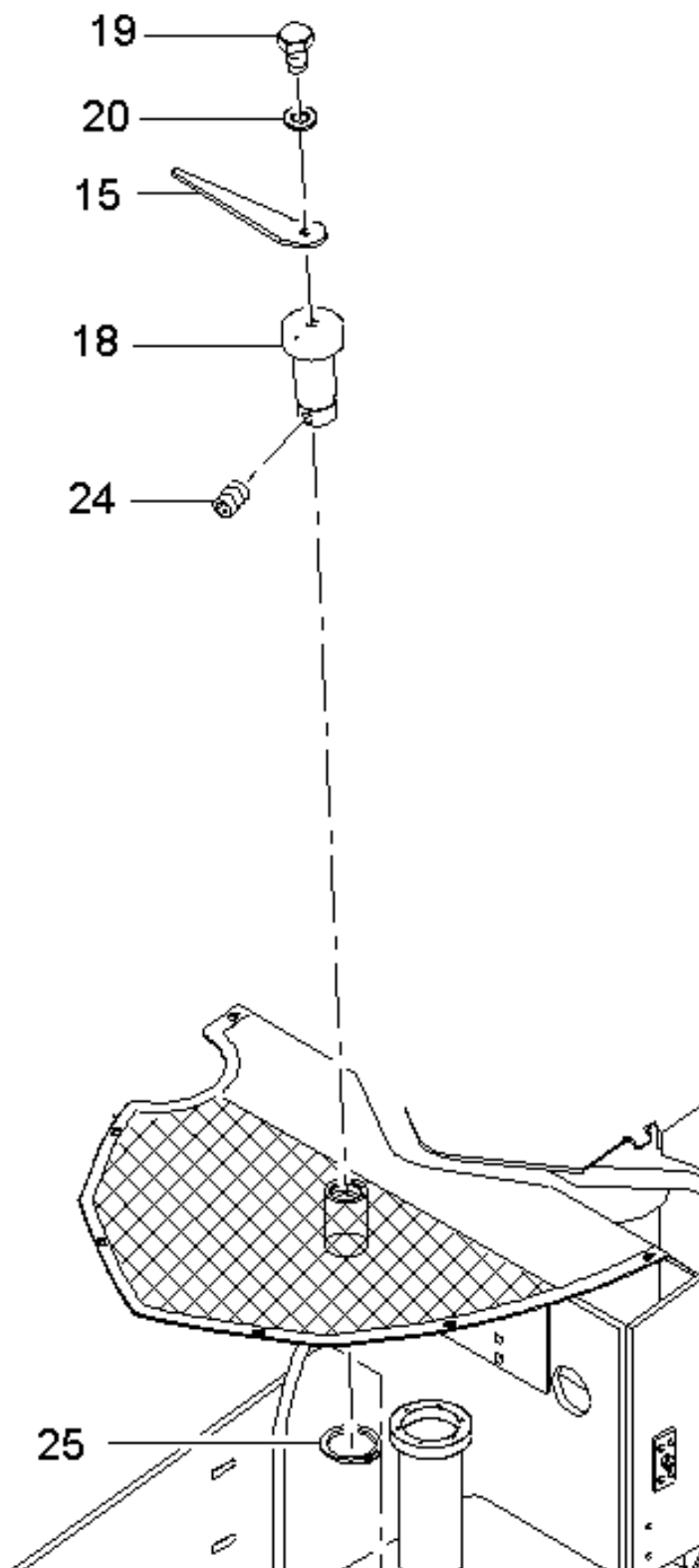
Item	Part No.	Name	Qty	L	SN INFO
4	D930435530	Mirror	1		
5	D501010365	Holder for mirror	1		
6	5730015118	Hexagon nut	2		
9	0215000613	Hexagon socket button head screw	4		

---

Refer to Parts Online for the most up to date information. The printed information might be outdated.

Wed Apr 01 20:36:54 MDT 2015

**Drivers platform Pointer**



Refer to Parts Online for the most up to date information. The printed information might be outdated.

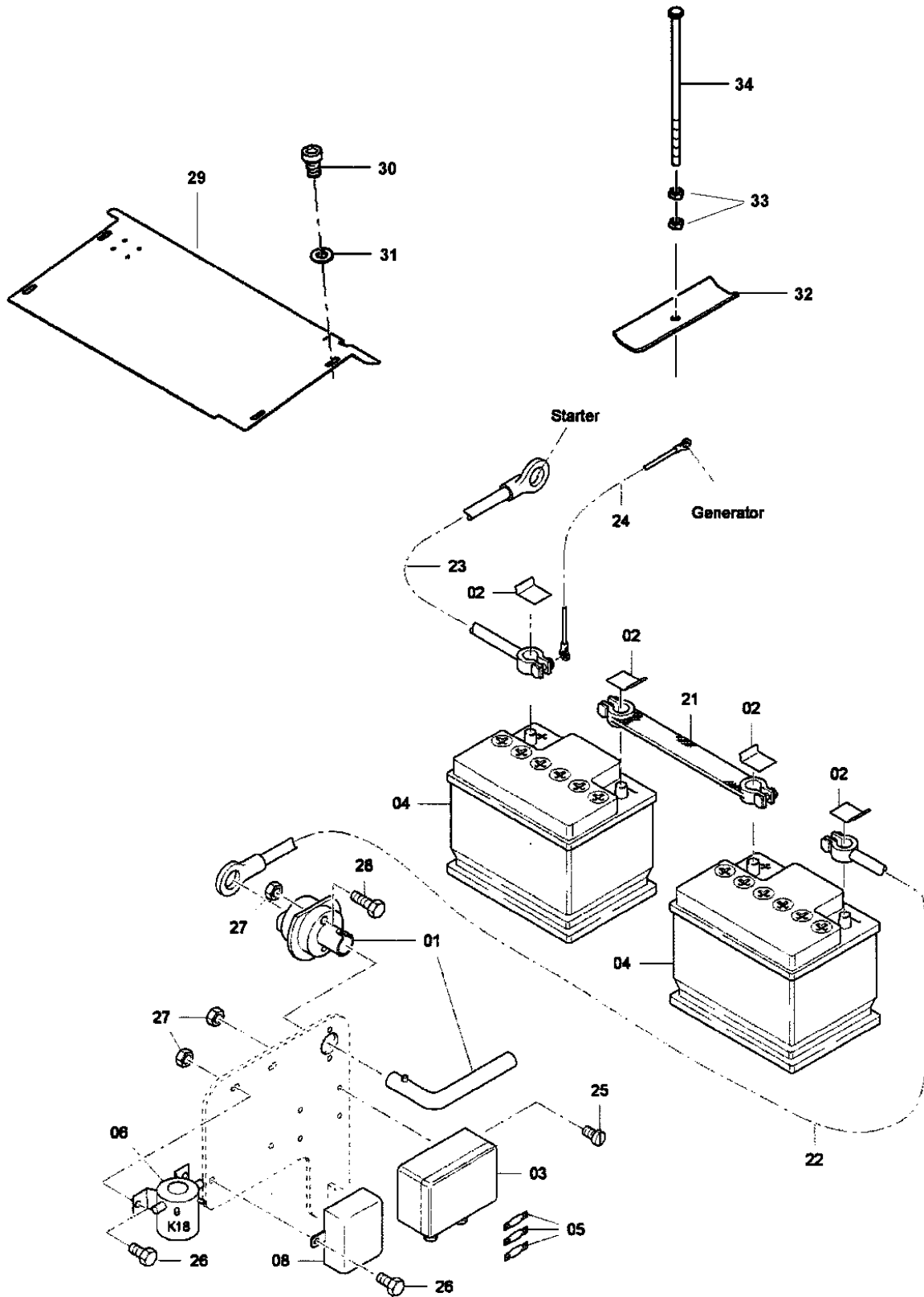
Wed Apr 01 20:36:54 MDT 2015

Item	Part No.	Name	Qty	L	SN INFO
15	4812002652	Pointer	1		
18	4812002693	Bearing bolt	1		
19	0147120403	Hex. head screw	1		
20	4700904281	Washer, 5,3x10x1 300HV	1		
24	D937944487	Threaded pin	2		
25	D936001069	Circlip	1		

Refer to Parts Online for the most up to date information. The printed information might be outdated.

Wed Apr 01 20:36:54 MDT 2015

**Drivers platform** Battery holder, Disconnecter



Refer to Parts Online for the most up to date information. The printed information might be outdated.

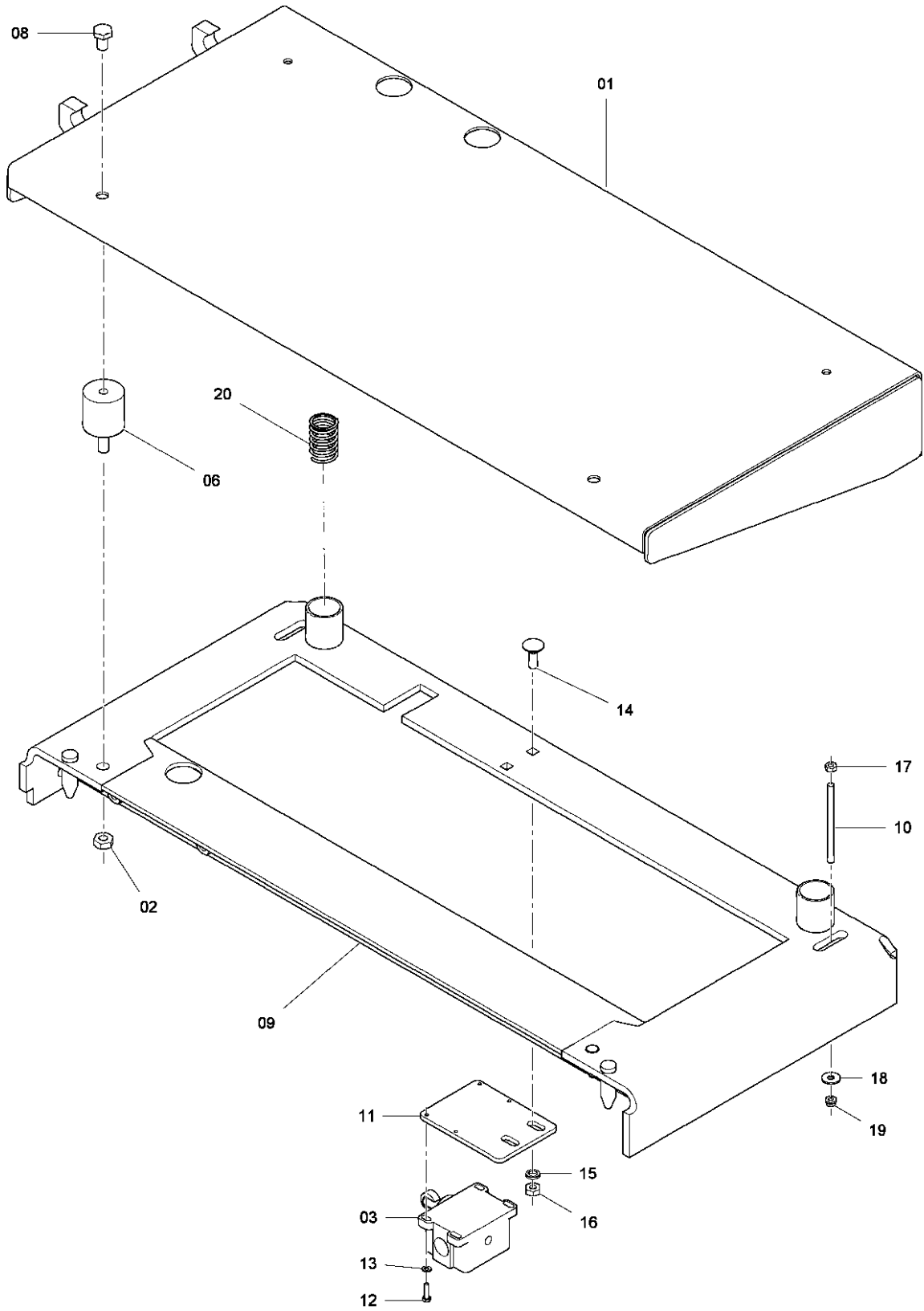
Wed Apr 01 20:36:55 MDT 2015

Item	Part No.	Name	Qty	L	SN INFO
1	D977504059	Battery switch	1		
1_01	D977504060	Key	1		
2	4812274269	Battery poles, negative pole, black	2		
2	4812274270	Battery poles, positive pole, red	2		
3	D977455758	Fuse holder	1		
4	D977022250	Battery	2		
5	D977453085	Fuse	3		
6	D977730416	Relais	1		
6	4812274272	Protection cap	2		
8	4812002554	Fludh glow control	1		
21	D501580126	Battery unit cable	1		
22	D501580127	Cable harness W103	1		
23	D501580130	Cable harness W106	1		
24	D501580129	Cable harness	1		
25	0160099737	Flat head screw	4		
26	0147124403	Screw DIN933	4		
27	0266113904	Hexagon nut	6		
28	0147124903	Hex. head screw	2		
29	4812000526	Battery cover	1		
30	0215000620	Hexagon socket button head screw	4		
31	4749901806	Screw retention	4		
32	D455014510	Clamping	1		
33	0266211000	Nut din934	2		
34	0147110909	Hexagon head screw	1		

Refer to Parts Online for the most up to date information. The printed information might be outdated.

Wed Apr 01 20:36:55 MDT 2015

**Drivers platform** Operators platform



Refer to Parts Online for the most up to date information. The printed information might be outdated.

Wed Apr 01 20:36:55 MDT 2015

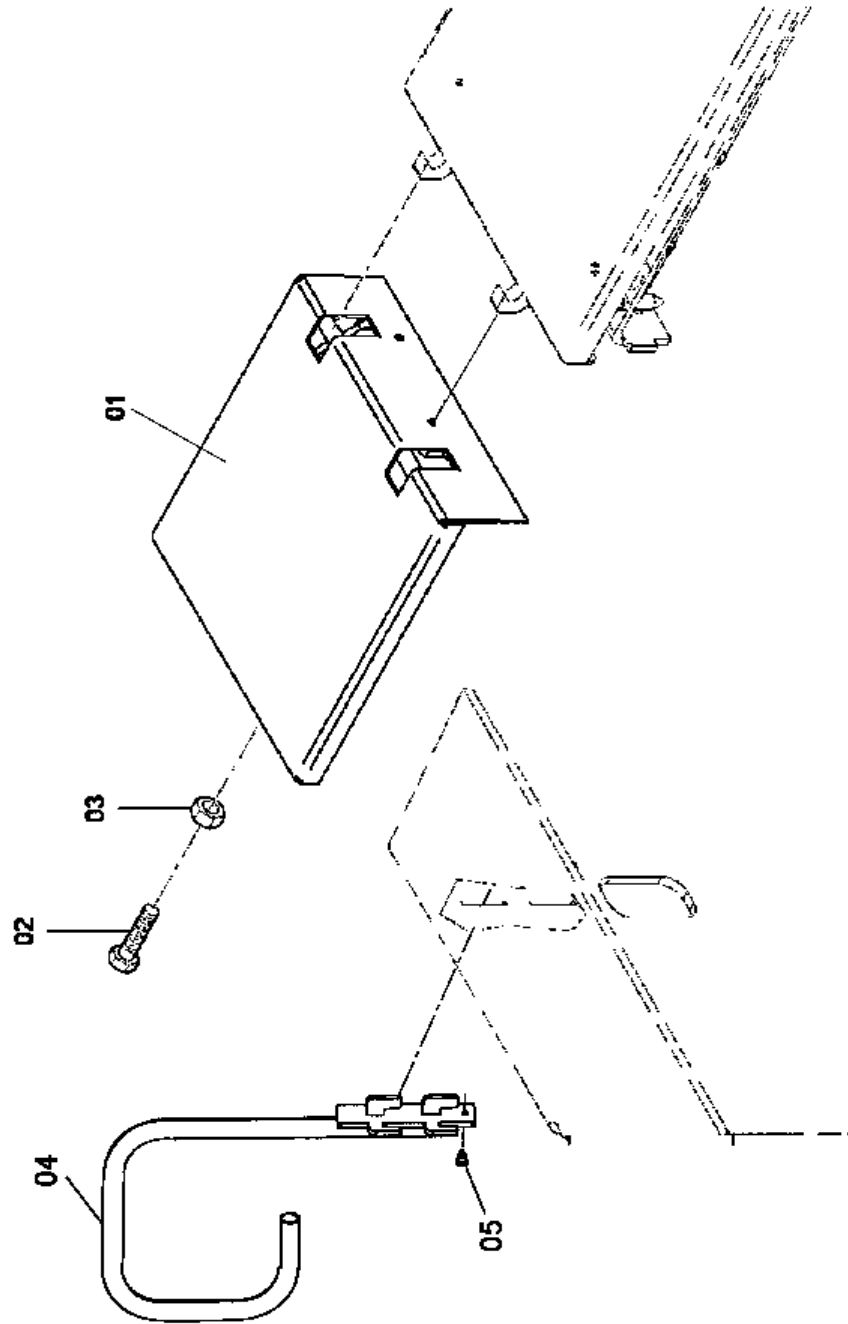
Item	Part No.	Name	Qty	L	SN INFO
1	D501510212	Step plate cpl.	1		
2	0266211100	Hexagon nut	2		
3	D977522357	Switch	1		
6	D930235240	Rubber buffer	2		
8	0147135903	Hex. head screw	2		
9	D501510199	Frame	1		
10	D938454348	Screw rod	2		
11	D501510339	Holder	1		
12	0147117303	Hex. head screw	4		
13	0301231500	Plain washer	4		
14	4749901548	Screw	2		
15	4749901806	Screw retention	2		
16	0266211000	Nut din934	2		
17	5730015118	Hexagon nut	2		
18	0300013041	Flat washer	2		
19	0291110800	Locknut	2		
20	D930177129	Spring	2		

Refer to Parts Online for the most up to date information. The printed information might be outdated.

Wed Apr 01 20:36:55 MDT 2015



**Drivers platform** Foot plate enlargement Option



Refer to Parts Online for the most up to date information. The printed information might be outdated.

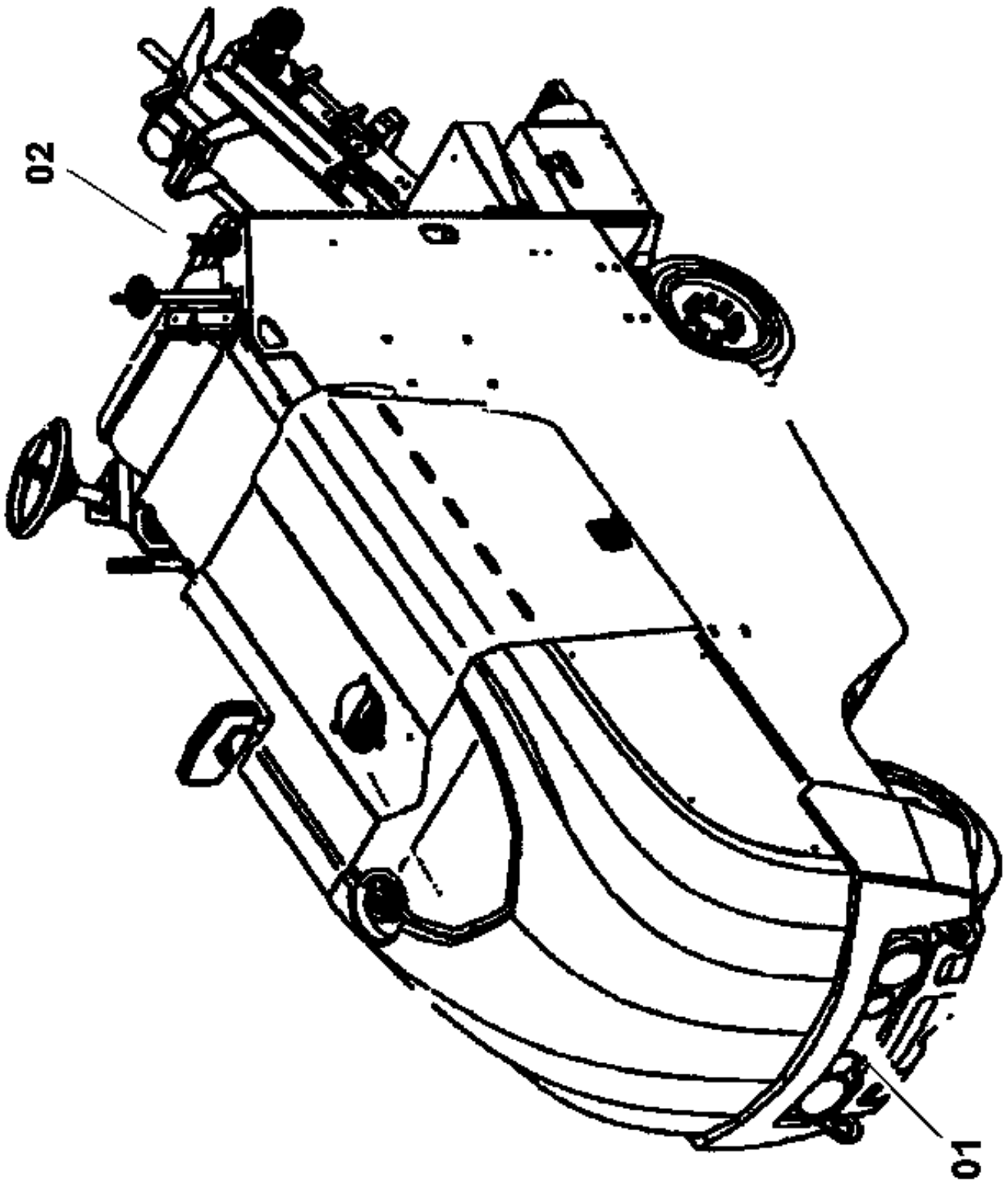
Wed Apr 01 20:36:55 MDT 2015

Item	Part No.	Name	Qty	L	SN INFO
1	D501600601	Foot plate enlargement	1		
2	0147196264	Bolt	2		
3	0266211100	Hexagon nut	2		
4	4812115523	Hand rail	1		
5	4812115524	Lock	1		

Refer to Parts Online for the most up to date information. The printed information might be outdated.

Wed Apr 01 20:36:55 MDT 2015

**Lightning** Lightning



Refer to Parts Online for the most up to date information. The printed information might be outdated.

Wed Apr 01 20:36:55 MDT 2015

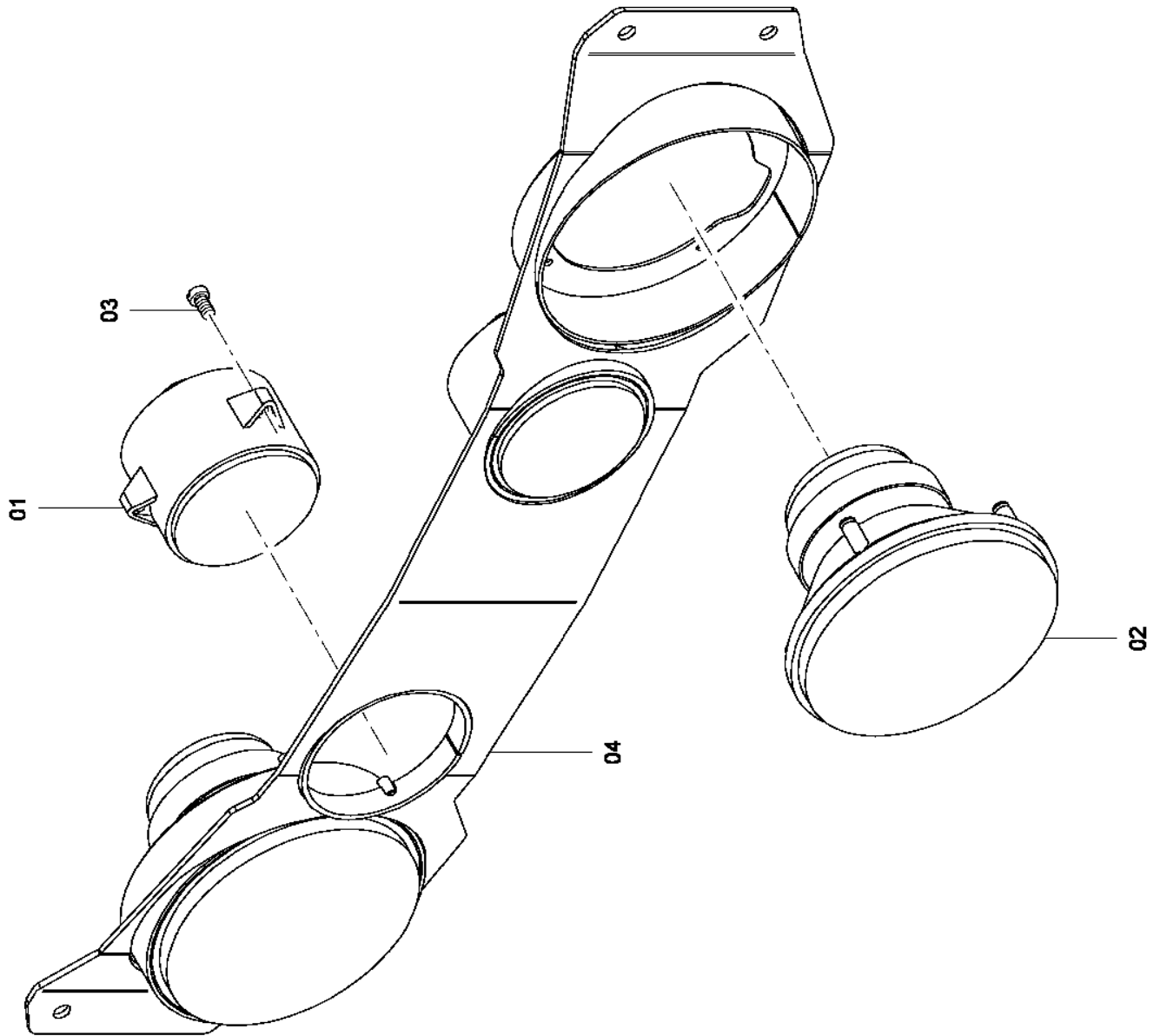
Item	Part No.	Name	Qty	L	SN INFO
1		Lamp socket compl.			
2		Working light			

---

Refer to Parts Online for the most up to date information. The printed information might be outdated.

Wed Apr 01 20:36:55 MDT 2015

**Lightning** Lamp socket compl.



Refer to Parts Online for the most up to date information. The printed information might be outdated.

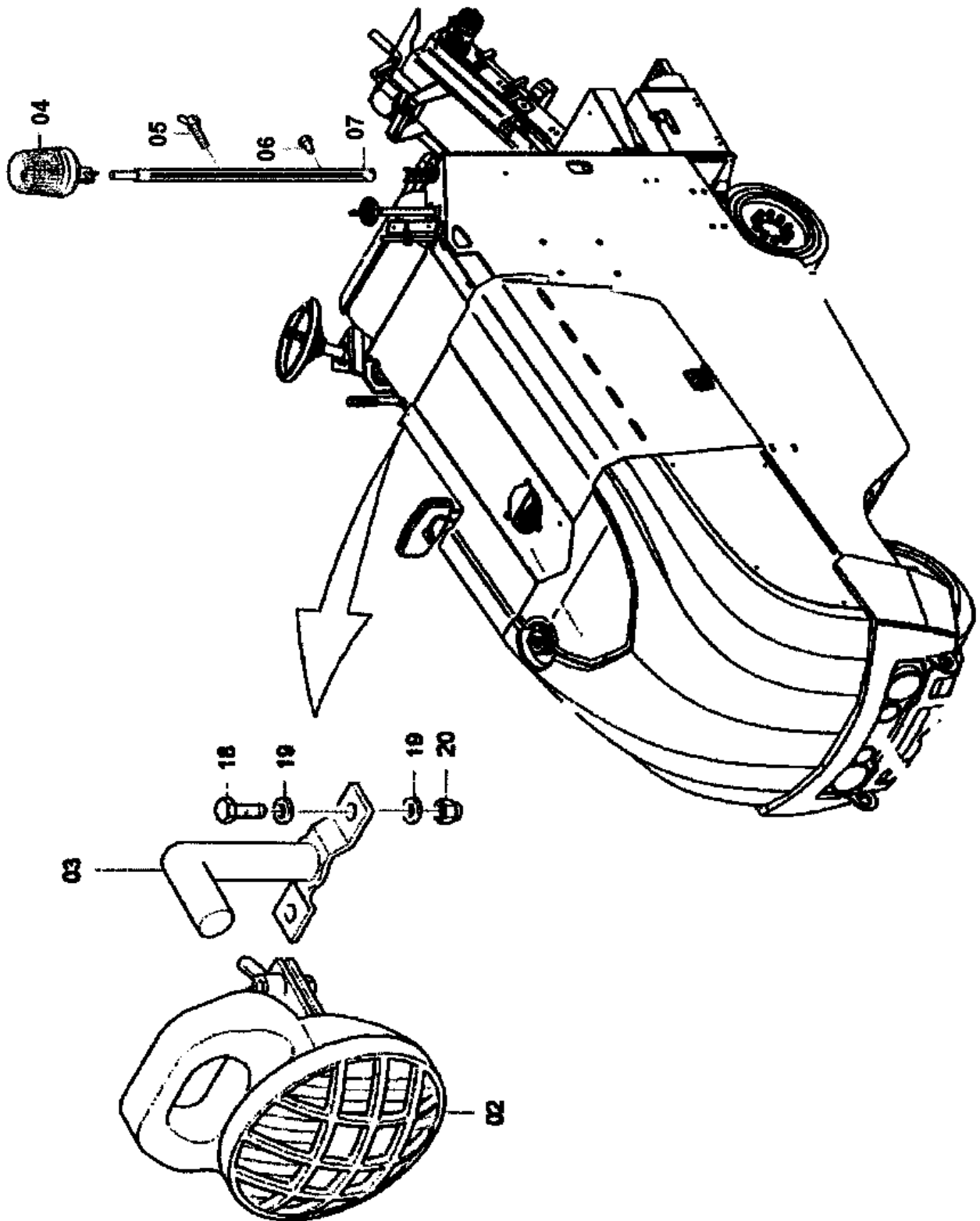
Wed Apr 01 20:36:55 MDT 2015

Item	Part No.	Name	Qty	L	SN INFO
1	D977903335	Working lamp	2		
1_01	D977335101	Bulb	1		
2	D977903334	Head lamp	2		
2_01	D977335020	Bulb 75/70W	1		
2_02	D977335670	Bulb 4W	1		
3	0211117303	Screw	6		
4	4812000738	Lamp holder	1		

Refer to Parts Online for the most up to date information. The printed information might be outdated.

Wed Apr 01 20:36:55 MDT 2015

**Lightning** Working light



Refer to Parts Online for the most up to date information. The printed information might be outdated.

Wed Apr 01 20:36:56 MDT 2015

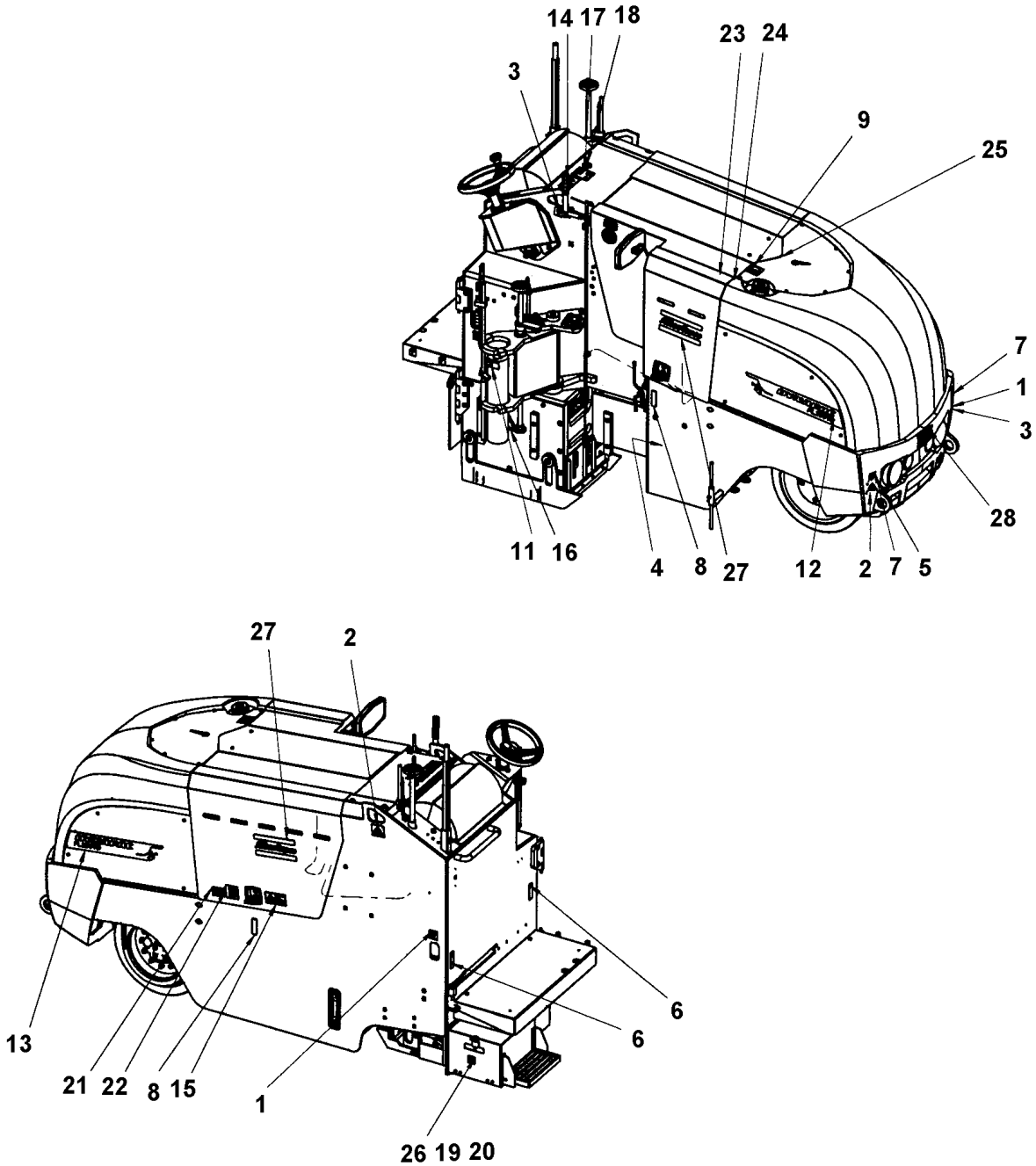
Item	Part No.	Name	Qty	L	SN INFO
2	D977900137	Working lamp	1		
3	D977999004	Slip-on pipe	1		
4	4749140026	Rotary light	1		
4_01	D977335101	Bulb	1		
5	4700528041	Wing screw M8x25	1		
6	0147124603	Screw	1		
7	D501510265	Holding pipe	1		
18	0147132503	Screw DIN933	2		
19	0301233500	Washer DIN125	4		
20	0291118802	Hexagon nut	2		

Refer to Parts Online for the most up to date information. The printed information might be outdated.

Wed Apr 01 20:36:56 MDT 2015



PL350 (IIIA/T3) s/n 10000900x0C004242 - Decals



Refer to Parts Online for the most up to date information. The printed information might be outdated.

Wed Apr 01 20:36:56 MDT 2015

Item	Part No.	Name	Qty	L	SN INFO
1	4700382751	Decal "SECURING POINT/TIE DOWN"	4		
2	4700904870	Lifting data plate	2		
3	4700357587	Label, lift point	2		
4	4700272373	Decal "HYDRAULIC LEVEL"	1		
5	4700624016	Blind rivet	8		
6	4700377742	Reflector, red	2		
7	4700377743	Reflector, white	2		
8	4700377744	Reflector, yellow	2		
9	4700991657	Decal "WATER"	1		
10	4700791642	Decal "WARNING" Use of starting fluid prohib.	2		
11	4700904785	Safety label, risk of crushing	1		
12	4812269840	Dynapac logo, right	1		
13	4812269839	Dynapac logo, left	1		
14	4700903459	Decal "SAFETY"	1		
15	4700904895	Safety decal "Brake release"	2		
16	D956052007	Safety decal, milling drum	2		
17	4700791275	Decal 'SOUND POWER LEVEL'	1		
18	4700281898	Label, use ear protectors	1		
19	4812158500	Safety manual	1		
20	4812158200	Instruction book	1		
21	4700904835	Decal "BATTERY POWER"	1		
22	4700991658	Decal "FUEL"	1		
23	4700388449	Decal "ENGINE COOLANT FILL"	1		
24	4700903424	Safety decal "HOT SURFACE"	1		
25	4700903423	Safety label, Rotating engine components	1		
26	4700903425	Safety decal "READ SAFETY INSTRUCTIONS"	1		
27	4812269842	Atlas logo, side	2		
28	4812269841	Atlas logo, front	1		
29	D956052016	Decal Kippgefahr / to fall	1		

Refer to Parts Online for the most up to date information. The printed information might be outdated.

Wed Apr 01 20:36:56 MDT 2015

**Accessories list** Accessories list

NO EXPLODED VIEW  
AVAILABLE  
FOR THIS BOM

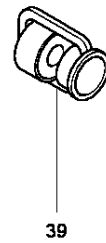
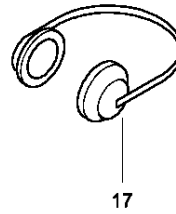
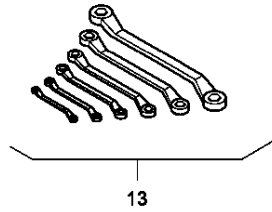
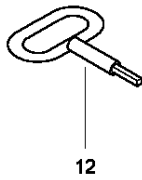
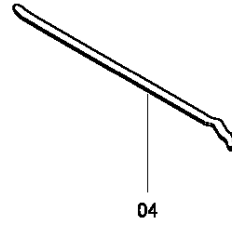
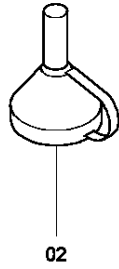
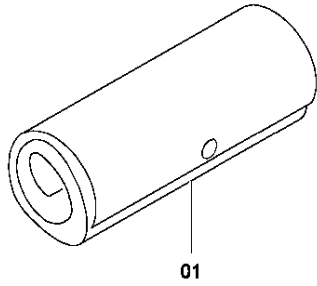
Item	Part No.	Name	Qty	L	SN INFO
1		Tool and assessories			
3		Console Levelling system			
4		Stop block			

---

Refer to Parts Online for the most up to date information. The printed information might be outdated.

Wed Apr 01 20:36:56 MDT 2015

**Tool and accessories** Tool and accessories



Refer to Parts Online for the most up to date information. The printed information might be outdated.

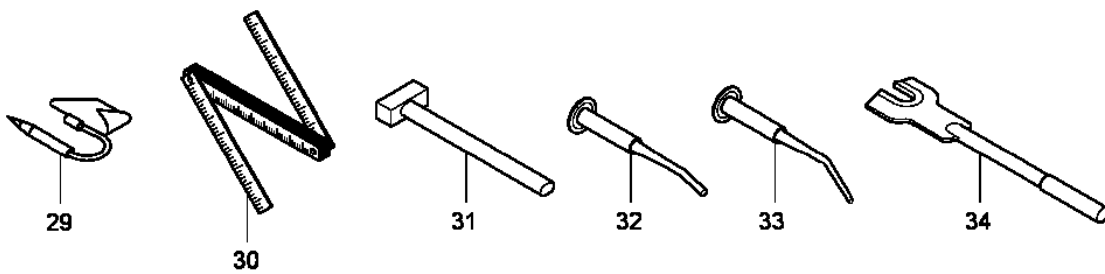
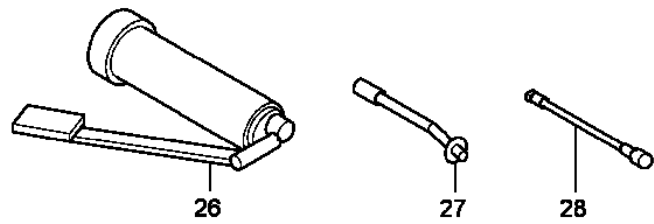
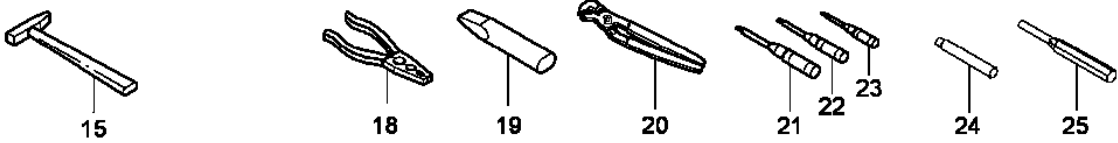
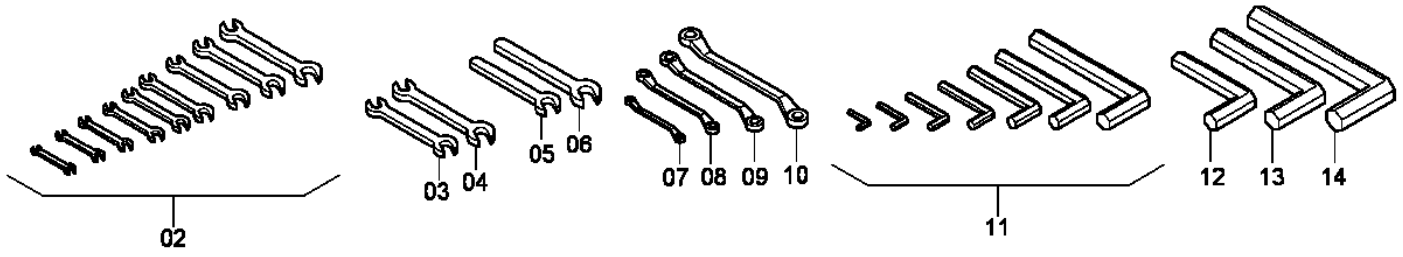
Wed Apr 01 20:36:57 MDT 2015

Item	Part No.	Name	Qty	L	SN INFO
1		Tool kit	1		
2	D956178280	Funnel	1		
4	D956145983	Mounting lever	1		
11	D977450545	Key	1		
12	D956114040	Punch key	1		
13	4749300214	Key ring	2		
17	4700904401	Ear protection	1		
39	D977418059	Rubber cap	2		

Refer to Parts Online for the most up to date information. The printed information might be outdated.

Wed Apr 01 20:36:57 MDT 2015

**Tool and accessories** Tool kit



Refer to Parts Online for the most up to date information. The printed information might be outdated.

Wed Apr 01 20:36:57 MDT 2015

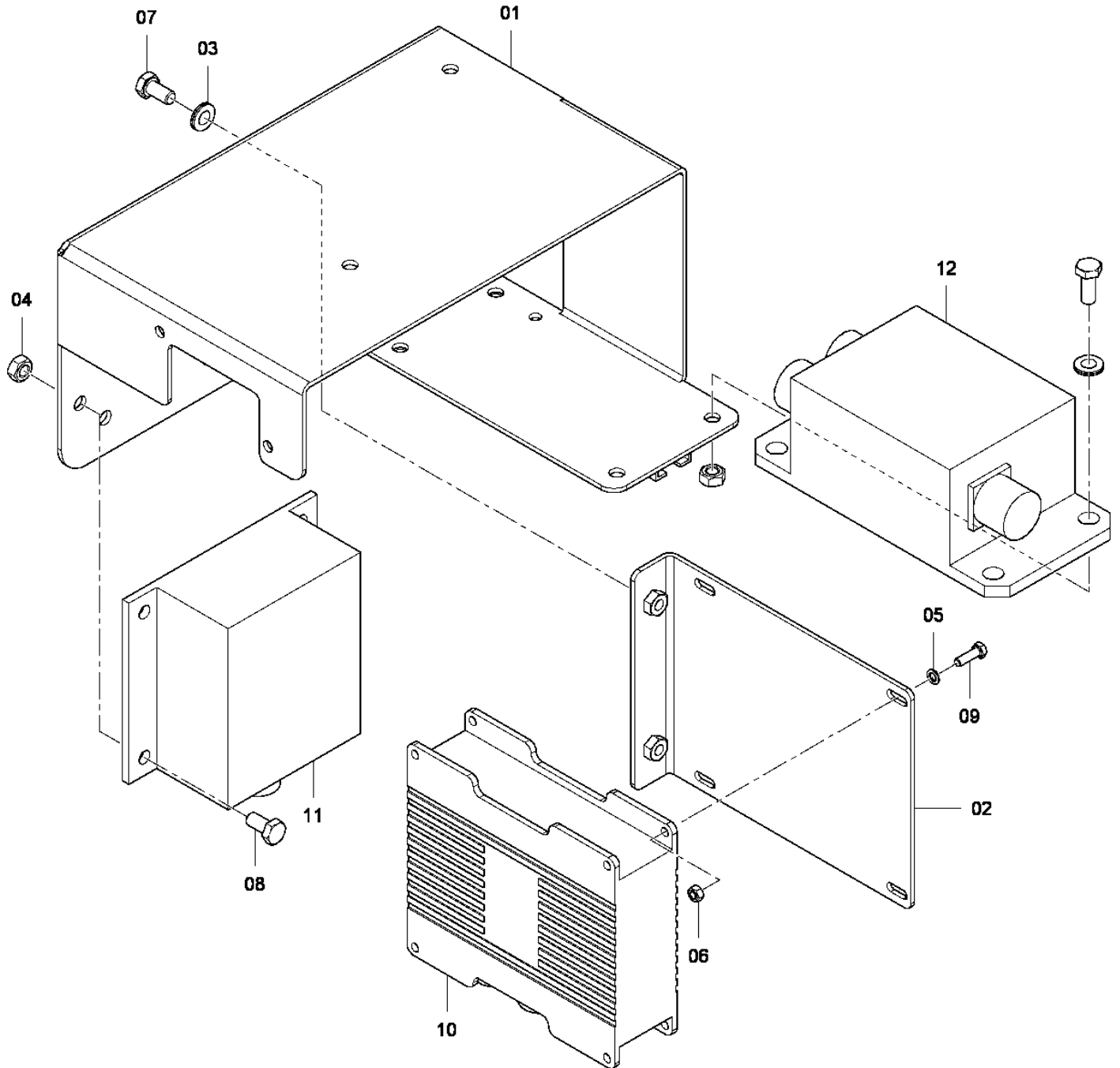
Item	Part No.	Name	Qty	L	SN INFO
2	D956127164	Set open-end wrench	1		
3	4753420012	Fork wrench	1		
4	4753420014	Double ended open spanner 36-41	1		
5	4753420004	Fork wrench 36	1		
6	4753420016	Fork wrench 46	1		
7	D956160560	Ring key	1		
8	D956160570	Ring key	1		
9	D956160640	Ring key	1		
10	D956160820	Ring key	1		
11	D956133010	Set of hex. screw drivers	1		
12	D956132912	Hex. screw driver	1		
13	D956132914	Hex. screw driver	1		
14	D956132917	Hex. screw driver	1		
15	4753300009	Metalwork hammer	1		
18	D956138620	Combination pliers	1		
19	D956122540	Flat chisel	1		
20	4753100012	Water pump pliers	1		
21	4753200013	Screwdriver	1		
22	D956169230	Screwdriver	1		
23	D956169380	Electric screwdriver	1		
24	D956114006	Mandrel	1		
25	4753000046	Drift pin	1		
26	4749300483	Grease pistol	1		
27	4749301465	Coupling for grease gun (rigid)	1		
28	4749301464	Coupling for grease gun (mobile)	1		
29	D956157520	Test lamp	1		
30	D956400005	Folding rule	1		
31	D930240675	Hammer	1		
32	D930320116	Shank bit extensioner	1		
33	D930320117	Shank bit extensioner	1		
34	D930320107	Shank bit claw	1		
35	D930320106	Hummer punch	1		

Refer to Parts Online for the most up to date information. The printed information might be outdated.

Wed Apr 01 20:36:57 MDT 2015



**Accessories list** Console Levelling system



Refer to Parts Online for the most up to date information. The printed information might be outdated.

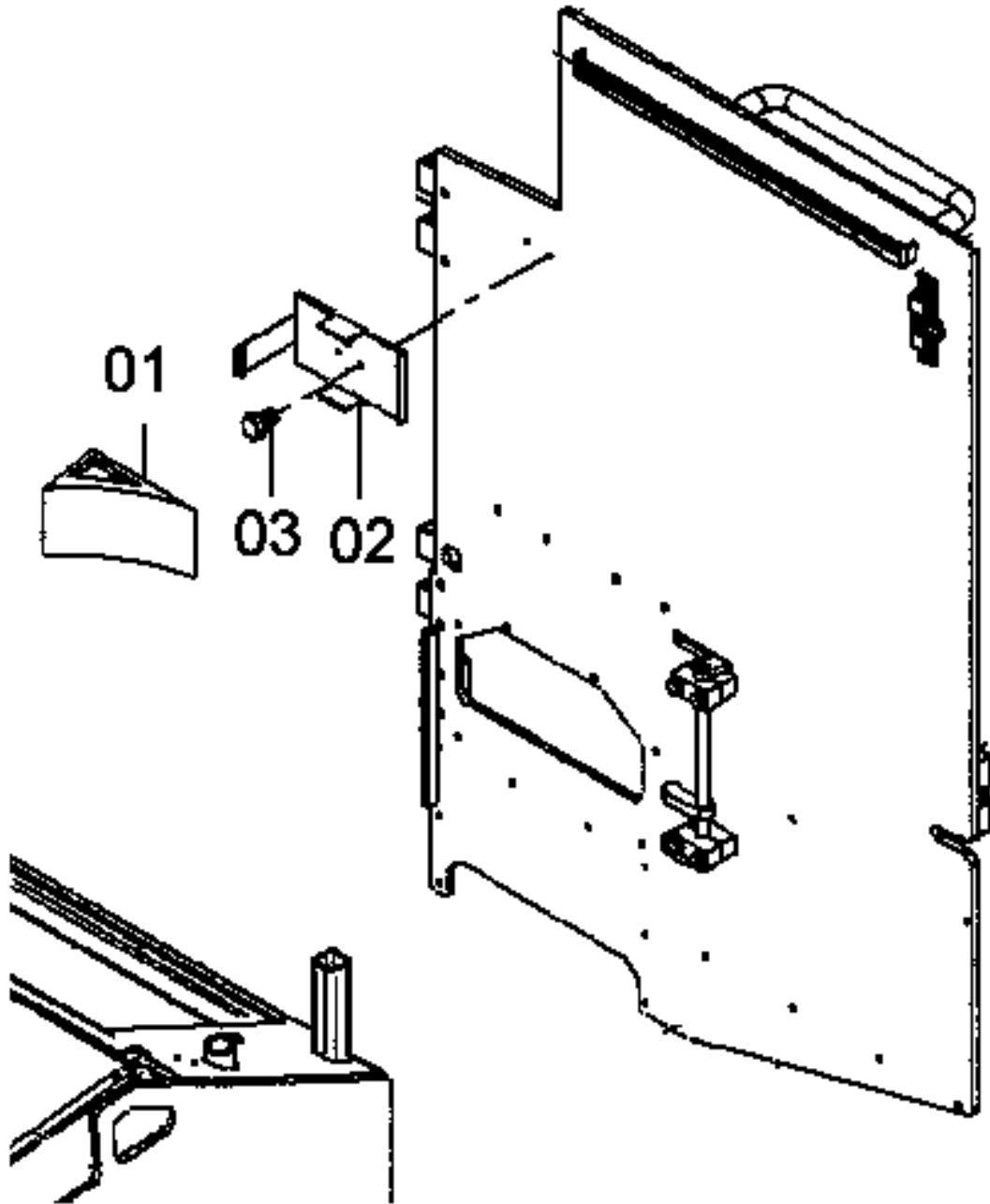
Wed Apr 01 20:36:57 MDT 2015

Item	Part No.	Name	Qty	L	SN INFO
Not Shown	D503215200	Console, compl.			
1	D503215300	Console	1		
2	D503215400	Holder	1		
3	D939776113	Washer	2		
4	0266211000	Nut din934	4		
5	0333317507	Schnorr-lock washer	4		
6	0266210700	Hexagon nut	4		
7	0147132203	Screw	2		
8	0147132303	Screw DIN933	4		
9	0147120703	Screw DIN933	4		

Refer to Parts Online for the most up to date information. The printed information might be outdated.

Wed Apr 01 20:36:57 MDT 2015

**Accessories list** Stop block



Refer to Parts Online for the most up to date information. The printed information might be outdated.

Wed Apr 01 20:36:57 MDT 2015

Item	Part No.	Name	Qty	L	SN INFO
1	D930251541	Stop block	1		
2	D930251542	Holder	1		
3	0147124403	Screw DIN933	4		

---

Refer to Parts Online for the most up to date information. The printed information might be outdated.

Wed Apr 01 20:36:57 MDT 2015

Appendix B:Parts Index	0211124903	126, 130
0147110909	0211132003	20
0147117303	0211132203	20, 156
0147120403	0211132303	162
0147120703	0211132503	14, 162
0147120803	0211132603	156
0147124403	0211133303	84
0147124603	0211136303	116
0147124703	0211136503	116
0147124903	0211144103	122
0147132203	0211149203	166
0147132303	0215000340	172
0147132503	0215000613	180
0147132603	0215000620	12, 126, 184
0147132712	0215001064	14, 136
0147132903	0215001068	20
0147132912	0215001085	116
0147133303	0216110055	30
0147133403	0216110056	48
0147133603	0216195726	20
0147133803	0216195761	48, 156
0147135903	0216195762	30
0147136003	0223195711	22
0147136203	0226991529	10
0147136303	0226991533	68
0147136403	0226991535	134
0147136903	0266113904	184
0147137103	0266210700	84, 172, 204
0147139803	0266211000	10, 14, 62, 64, 66, 156, 162, 164, 166, 178, 184, 186, 204
0147140103	0266211100	20, 56, 76, 160, 162, 166, 186, 188
0147140203	0266211200	16, 18, 68, 136, 158, 162
0147140303	0266211400	162, 166
0147140603	0266211600	28, 160
0147140703	0277130800	20
0147140803	0291110800	186
0147140903	0291111000	14, 22, 84, 162
0147147403	0291111200	14, 166
0147147603	0291112854	12, 76, 136
0147147703	0291118549	134
0147154903	0291118802	194
0147195968	0300013036	28
0147196219	0300013041	56, 186
0147196264	0300013042	166
0147196394	0300027413	78
0160099737	0301231500	164, 186
0211110286	0301231800	24, 172
0211117303	0301232100	48, 56, 72, 160

0301233500	62, 156, 156, 160, 162, 178, 194	4700792716	124
0301234400	74, 84, 120, 156, 160, 162	4700901233	178
0301235800	68, 78, 158, 160, 162	4700902041	68
0301237100	122	4700902166	136
0301237800	118, 120, 158, 176	4700902391	118
0302127405	28, 56, 56, 76, 78, 126, 130, 134	4700903423	196
0304101200	28	4700903424	196
0304106200	28	4700903425	196
0333317507	204	4700903459	196
0371110021	112	4700903953	136
4700202057	16, 18	4700904213	136
4700272373	196	4700904228	56, 126, 130
4700281898	196	4700904229	30, 56, 136, 164
4700286216	68	4700904231	112, 124, 126, 130
4700288129	76	4700904232	26, 166
4700313008	136	4700904281	178, 182
4700313023	76	4700904401	200
4700313038	76	4700904522	124
4700357587	196	4700904556	68
4700377742	196	4700904557	68
4700377743	196	4700904640	68
4700377744	196	4700904654	14
4700382751	196	4700904698	136
4700388449	196	4700904785	196
4700500053	30	4700904835	196
4700500134	26	4700904870	196
4700500161	126, 130	4700904895	196
4700508022	136	4700904911	164
4700508025	56	4700923976	136
4700513008	126, 130	4700925785	122, 124
4700513009	112	4700926516	132
4700513010	112	4700928381	164
4700513013	112	4700929159	124
4700513014	132	4700939068	6, 8
4700513017	164	4700947683	68
4700528041	194	4700991657	196
4700570004	16, 18, 56	4700991658	196
4700586001	178	4700999014	164
4700624016	196	4749100425	172
4700679686	36	4749100446	172
4700679693	80	4749100744	172
4700791275	196	4749100745	172
4700791642	196	4749140026	194
4700791948	16, 18	4749220343	150
4700792258	136	4749220460	104, 144, 152
4700792391	136	4749220461	150
4700792602	178	4749220479	100

4749220504	100	4753420014	202
4749220509	60	4753420016	202
4749220517	60	4811000096	112
4749220518	60	4812000278	134
4749220523	60, 72	4812000294E	2
4749220527	134, 144, 152	4812000295A	2
4749220648	104	4812000295A_1	54
4749220650	104, 134	4812000295A_3	54
4749220734	104	4812000295A_4	54
4749220742	60	4812000295A_5	54
4749220805	134	4812000295A_6	54
4749300180	84, 136	4812000295J_2	54
4749300214	200	4812000295_20	56
4749300329	84	4812000296B_1	112
4749300347	72	4812000296B_2	112
4749300384	96, 106, 110, 144, 152	4812000296J	86
4749300483	202	4812000296_20	86
4749300510	106, 144, 152	4812000297M1	2
4749300511	96, 110	4812000297M2	10
4749300707	136	4812000299	10
4749301277	30	4812000448	134
4749301464	202	4812000450	136
4749301465	202	4812000451	134
4749301479	14, 14, 16, 18	4812000457	14
4749301573	162	4812000458	16
4749301758	56	4812000463	16, 18
4749302027	176	4812000468	134
4749302091	162	4812000469	18
4749302191	20	4812000477	134
4749302357	52	4812000478	16
4749302464	14	4812000479	18
4749900168	134	4812000480	18
4749900259	166	4812000481	14
4749900868	72	4812000482	14
4749901284	118	4812000483	136
4749901548	186	4812000484	136
4749901806	10, 12, 14, 20, 68, 136, 156, 162, 166, 184, 186	4812000487	134
4749901807	14, 78, 84, 116, 158, 162, 166	4812000500	16, 18
4749901808	68	4812000509	14
4749901809	118, 162, 166	4812000511	14
4749901860	126, 160, 162	4812000525	12
4753000046	202	4812000526	184
4753100012	202	4812000528	164
4753200013	202	4812000536	176
4753300009	202	4812000539	176
4753420004	202	4812000569	136
4753420012	202	4812000570	76

Refer to Parts Online for the most up to date information. The printed information might be outdated.

Wed Apr 01 20:36:57 MDT 2015

4812000572	76	4812002072	104
4812000593	24	4812002076	34
4812000596	20	4812002077	34
4812000602	136	4812002078	34
4812000603	136	4812002079	34
4812000604	136	4812002080	94, 110
4812000610	126	4812002081	94
4812000613	122, 124	4812002082	94, 108
4812000614	112	4812002083	94, 108
4812000622	112	4812002091	104
4812000624	112	4812002191	168
4812000647	112	4812002192	168
4812000735	190	4812002193	168
4812000738	192	4812002206D	170
4812000940A	164	4812002206D_1	170
4812000941A	10	4812002252	56
4812001050	136	4812002256	136
4812001134	150	4812002272	116
4812001167	164	4812002294	108
4812001611	20	4812002395	112
4812001620	20	4812002396	114
4812001929	84	4812002432C	164
4812001937	84	4812002554	184
4812001946	104	4812002635	178
4812001947	144, 152	4812002652	182
4812001948	144, 152	4812002693	182
4812001969	116	4812002695	20
4812001970	112, 164	4812002842	74
4812001971	116	4812002852	24
4812001974	172	4812002854	116
4812001976	136	4812002911	16, 18
4812001977	136	4812002917	20
4812001986	178	4812002942B	2
4812002031_1	88	4812002943	178
4812002031_2	88	4812002960_A	190
4812002032	32	4812002978	20
4812002033A_1	88	4812002991	172
4812002033A_2	88	4812003013	80
4812002034	58	4812003030	142
4812002035	142	4812003031	150
4812002036	142	4812003091	178
4812002060_20	140	4812003252	126, 130
4812002060_A	2	4812003456	156
4812002067	148	4812003457	156
4812002068	148	4812003461	156
4812002069	144, 152	4812003481	156
4812002070	144, 152	4812003483_A	140



4812003483_A1	154	4812247263	126
4812003483_A2	154	4812247264	130
4812003483_A3	154	4812247265	130
4812003507	106	4812247600	56
4812003529	128	4812269839	196
4812003530	128	4812269840	196
4812003531	128	4812269841	196
4812003533	128	4812269842	196
4812003543	92	4812271094	104
4812003544	92	4812271095	100
4812003545	92	4812271096	100
4812003546	92	4812271097	100
4812003547	92	4812271098	100
4812003548	92	4812271099	100
4812003549	92	4812271100	12
4812003633	178	4812271101	94
4812115457	10	4812271874	30
4812115466	68	4812271875	20
4812115523	188	4812272088	56
4812115524	188	4812272090	90
4812115704	68	4812272091	90
4812116113B	112	4812273033	76
4812116114	124	4812274269	184
4812116278	124	4812274270	184
4812116623	134	4812274272	184
4812116756	76	4812274275	14
4812116852	116	4812274276	104
4812117430A	2	4812274280	76
4812117568	10	4812274870	166
4812117571	10	5530506100	34
4812117573	172	5530774800	56
4812117795	178	5530879900	166
4812118180	178	5541396800	20, 52, 166
4812118181	38	5730007674	160
4812118186	38	5730007825	166
4812118190	38	5730015118	180, 186
4812118197A	112	5730015168	12, 84
4812118256	178	5730015369	84
4812118647	136	5730082735	10
4812118675	134	9125718100	24
4812118723	38	D200100007	130
4812157172	50	D299000850	4
4812158200	196	D299000851	4
4812158253	68	D312001869	48
4812158500	196	D312001870	48
4812159075	82	D314001386	114
4812244164	94	D455014510	184

Refer to Parts Online for the most up to date information. The printed information might be outdated.

Wed Apr 01 20:36:57 MDT 2015

D499018630	166	D501110218	166
D501-56110	68, 84	D501110225	166
D501010303C	26	D501140102	112
D501010304	28	D501140103	112
D501010309	28	D501140104	112
D501010310	28	D501140113	130
D501010315	28	D501140115	126, 130
D501010365	180	D501140116	126, 130
D501010377	130	D501150113	122, 124
D501010378	130	D501160102	68
D501010383	130	D501160105	68
D501010427	28	D501160116	84
D501010428	28	D501160130	56
D501020115	30	D501160131	74
D501020123	30	D501190108	134
D501020124	30	D501210148	134
D501020132_A	30	D501210166	126, 130
D501020134	48	D501250101A	112
D501020135	48	D501250102	118
D501020136	48	D501250107	120
D501020139	48	D501510182	126
D501020140	48	D501510192	164
D501020145	40	D501510199	186
D501020146	42	D501510209	12
D501020197	46	D501510212	186
D501020283	44	D501510219	10
D501040116	126, 130	D501510265	194
D501040119	130	D501510339	186
D501040120	126, 130	D501510342	20
D501040126	112	D501510343	20
D501040127	112	D501510348	20
D501040130	112	D501510363	20
D501040133	130	D501510394	10
D501040140	130	D501510426	56
D501040147	130	D501510450	24
D501040156	126, 130	D501510453	20, 24
D501050108	118	D501510455	30
D501050112	118	D501510456	24
D501050113	118, 120	D501510461	20
D501050115	122	D501510462	20
D501050116	122	D501510463	20
D501050151	120	D501510465	24
D501050155	120	D501510471	20
D501050158	120	D501520110A	2
D501050159	120	D501520110_20	30
D501060144	84	D501520210	30
D501100002A	198	D501520500	30

Refer to Parts Online for the most up to date information. The printed information might be outdated.

Wed Apr 01 20:36:57 MDT 2015

D501520501	52	D501560124	74
D501520506	52	D501560125	84
D501530102	162	D501560127	56
D501530106	160	D501560128	74
D501530113	160	D501560129	66
D501530121	160	D501560135	84
D501530122	160	D501570101	88
D501530124	162	D501570198	144
D501530125	160	D501570500	34
D501530127	162	D501580103	174
D501530128	160	D501580104	174
D501530129	160	D501580108	174
D501530136	160	D501580126	184
D501530142	30	D501580127	184
D501530147	160	D501580129	184
D501530151	30	D501580130	184
D501530159	162	D501600200A	164
D501530211	156	D501600601	188
D501530215	158	D501600700	142
D501530217	158	D502010227	10
D501530220	158	D503-08520	198
D501530221	158	D503200100A	200
D501530222	156	D503212502	176
D501530224	158	D503215200	204
D501530231	156	D503215300	204
D501530233	156	D503215400	204
D501530234	156	D503270179	60
D501530244	156	D504080409	178
D501530249	162	D900625243	178
D501530339	156	D900655052	178
D501530352	158, 162	D903508001	134
D501530353	158, 162	D903508005	134
D501530354	162	D930117045	160
D501530361	162	D930118503	166
D501540101	126	D930129730	134
D501540122	130	D930131813	130
D501540123	126	D930136513	130
D501540130	130	D930136776	162
D501560101	56	D930177129	186
D501560102	76	D930177228	12, 12
D501560104	56	D930177509	134
D501560105	56	D930206204	134
D501560110	56	D930211285	34
D501560111	62	D930211468	160
D501560113	64	D930211474	12, 60
D501560119	76	D930211476	84
D501560122	56	D930226043	160

D930230611	160	D930667563	134
D930235240	186	D932323235	34
D930235508	166	D932333780	136
D930235527	56	D932411675	80
D930240600	40, 46	D932783671	60
D930240675	202	D932786550	8, 104
D930251541	20, 206	D933502106	78
D930251541_	198	D933538091	78
D930251542	20, 206	D933538619	148
D930256011	156	D933539217	148
D930260004	74	D934349100	76
D930260013	74	D934349115	56
D930280352	30, 178	D934361047	64, 66
D930286510	72	D934361087	62
D930288001	16, 18	D934400050	136
D930288051	20	D934801210	84
D930290105	134	D934803732	166
D930296461	134	D934804732	166
D930296631	34, 94, 108	D935225790	122, 124
D930296645	134	D936001069	182
D930300156	160	D936003190	130
D930320106	202	D936654111	36
D930320107	202	D937030489	114
D930320116	202	D937193014	158
D930320117	202	D937582014	162
D930320130	42, 44	D937620375	156
D930329151	68	D937880178	98
D930406052	172	D937926163	24
D930418509	40, 42, 44, 46, 50	D937944487	112, 182
D930421803	30	D937948485	126
D930421804	162	D938151192	10
D930429171	12	D938165716	24
D930435530	180	D938454348	186
D930440001	74	D939142306	126, 130
D930440021	30, 162	D939399544	156
D930450726	20	D939475063	172
D930452598	144, 150, 152	D939725553	158
D930452599	144, 150, 152	D939776111	10
D930460056	160	D939776113	22, 204
D930480074	134	D939776115	24, 30, 116
D930520314	134	D939776117	16, 18, 20, 68
D930540829	162	D939776129	160
D930550014	134	D939776137	10
D930579800	24	D950401225	74
D930664027	90, 106, 144, 144, 148	D950554201	68
D930667552	84	D951013422	98
D930667553	84	D951020927	94, 108, 122

Refer to Parts Online for the most up to date information. The printed information might be outdated.

Wed Apr 01 20:36:57 MDT 2015

D952060900	120	D960832050	94, 108
D952065000	122	D960833006	94, 108
D952065001	118	D960833551	94, 108
D953420303	166	D960833675	94, 108
D954502001	116	D960840151	134
D954505019	126, 130	D960841178	90
D954541201	116	D960841256	90
D954541265	126, 130	D960841406	104, 144, 152
D954541270	116	D960841854	34
D956052007	196	D960842331	90
D956052016	196	D960842401	90
D956114006	202	D960843951	104
D956114040	24, 200	D960843953	104
D956122540	202	D960845284	144
D956127164	202	D960850490	72
D956132912	202	D960852202	94, 108
D956132914	202	D960852852	104, 144, 152
D956132917	202	D960853966	94, 110
D956133010	202	D960854449	94, 110
D956138620	202	D960861327	94, 110
D956145983	200	D960871261	34
D956157520	202	D960871533	90, 108
D956160560	202	D960872814	34
D956160570	202	D960873327	94, 108
D956160640	202	D960873428	90, 108
D956160820	202	D960874305	104
D956169230	202	D960880526	60
D956169380	202	D960881381	34
D956178280	200	D960881826	60
D956188650	172	D960882051	60
D956400005	202	D961102009	150
D956901050	40, 42, 44, 46, 50	D961102018	34
D956990006	74	D961102058	34
D956990007	74	D961121006	148
D960644917	108	D961121012	60
D960644926	146	D961121018	34, 96, 104
D960701210	108	D961131109	72
D960820972	90	D961154106	100
D960821404	148	D961154109	150
D960821514	148	D961175106	94, 110
D960821824	90	D961175108	104
D960822705	100	D961175109	104
D960822792	104	D961175209	60
D960830402	34	D961175211	10
D960831301	94, 110	D961353010	94, 108
D960831852	94, 108	D961353018	60
D960832005	94, 108	D961353217	34

Refer to Parts Online for the most up to date information. The printed information might be outdated.

Wed Apr 01 20:36:57 MDT 2015

D961354051	104	D961935228	60
D961355001	104	D961935307	34, 94, 108
D961355011	144, 152	D961935308	34
D961355014	104	D961935311	34, 90, 108
D961355024	134	D961935312	34, 60
D961358220	100	D961935321	94, 108
D961542610	104	D961935337	34, 34, 96, 110
D961772617	94	D961941073	96
D961772620	34	D961941086	90, 104, 104
D961772637	104, 144, 152	D961951084	90, 104, 144
D961772667	108	D961951105	94
D961772670	96	D961953084	34
D961772678	34, 90, 108	D963019313	146
D961835206	104	D963076600	100
D961835207	94, 108	D963085313	146
D961835220	94, 108	D963105530	108
D961903011	60	D963106554	102
D961906006	90, 96	D963125331	102
D961906008	90	D963125332	146
D961906020	108	D963125333	148
D961907006	148	D963135670	108
D961907007	96, 108	D963142319	102, 148
D961907008	144, 152	D963155700	108
D961917008	136	D963155704	108
D961917009	150	D963172801	90, 94
D961918018	34, 110	D963176081	100, 148
D961919006	90	D963176082	144, 152
D961919007	94	D963176092	148
D961919008	90	D963404710	60
D961919009	144, 152	D963460011	34
D961919012	60	D963538312	108
D961919018	34	D963612115	108
D961919021	96, 110	D963612123	102
D961920661	96, 110	D963612216	102, 148
D961934103	90	D964006104	104
D961935103	100, 148	D964047055	60
D961935106	100, 148	D964152341	60
D961935107	94	D964350859	8, 60
D961935108	134, 144, 152	D964350860	8, 104
D961935109	104, 150	D964441206	8
D961935111	94, 104	D964805451	60, 76
D961935112	60	D965172912	100
D961935121	94	D965531583	100, 128
D961935135	104	D965565001	128
D961935161	60	D965646000	128
D961935207	94, 108	D965661010	128
D961935212	60	D965671000	128, 128

Refer to Parts Online for the most up to date information. The printed information might be outdated.

Wed Apr 01 20:36:57 MDT 2015

D965705651	128	D977418059	200
D966055000	144, 160	D977418111	176
D966057210	104, 112	D977418901	174
D966085551	34	D977418902	174
D966085552	90, 118	D977418903	174
D966390010	68	D977425101	174
D966503075	70	D977425136	174
D966532453	70	D977425188	174
D966534100	70	D977425196	174
D966534241	68	D977425208	174
D966598107	8, 70	D977450545	200
D966598318	6, 8, 70	D977453072	174
D966600161	70	D977453085	184
D966600180	76	D977454252	174
D966600184	8, 70	D977454254	174
D966600185	8, 70	D977454255	174
D966630414	8	D977455758	184
D966630430	70	D977467011	172
D966630500	70	D977504059	184
D966695200	70	D977504060	184
D966711101	8, 70	D977512168	172
D966720001	70	D977512171	172
D967045031	78, 90, 94, 108	D977520011	172
D967045901	34, 78	D977522354	20
D967088022	78, 104	D977522357	164, 186
D967342562	134	D977532017	172
D967538226	70	D977532019	172
D967647002	80	D977532030	172
D967664445	36	D977532031	172
D977010512	172	D977532036	172
D977018411	172	D977580229	172
D977022250	184	D977599040	172
D977045504	54	D977599041	172
D977090001	178, 178	D977729010	174
D977090003	178	D977729013	174
D977188106	172	D977730412	174, 174
D977335020	192	D977730415	174
D977335101	192, 194	D977730416	184
D977335670	192	D977900137	194
D977409030	178	D977903334	192
D977415412	174	D977903335	192
D977415415	174	D977999004	194
D977415420	174	D978008056	174
D977416512	174	D990093005	100
D977416517	174	PL350TD10010	2
D977416520	174	PL350TD10022	30
D977417116	174	PL350TD10023	30

PL350TD10040	.....2
PL350TD10070	.....2
PL350TD10070_1	..... 164
PL350TD10070_3	..... 164
PL350TD10070_4	..... 164
PL350TD10070_5	..... 164
PL350TD10079	.....2



Any unauthorized use or copying of the contents or any part thereof is prohibited.  
This applies in particular to trademarks, model denominations, part numbers, and drawings.

